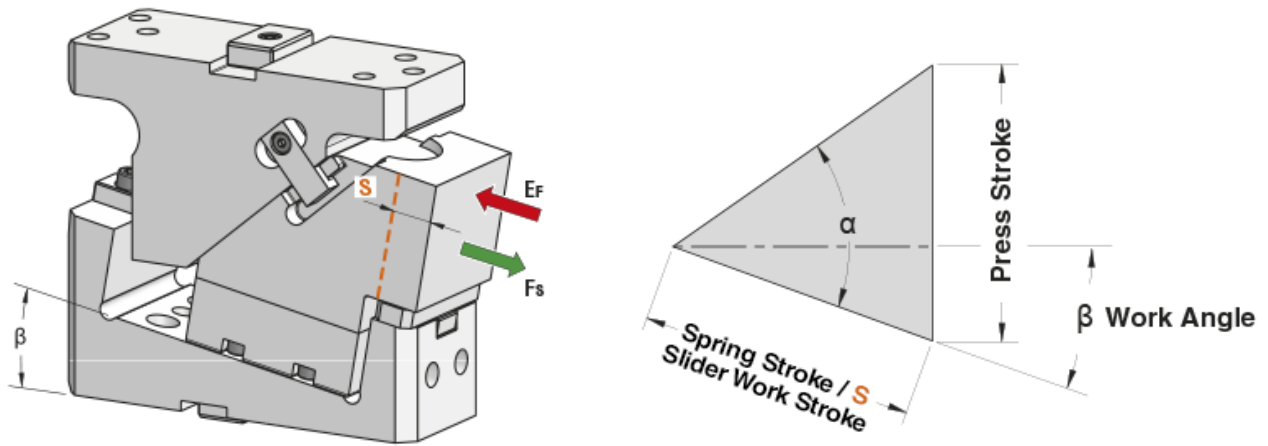




1. CAM DIAGRAM



OMCR CODE	Work Angle β	Slider Work Stroke S (mm)	Press Stroke (mm)	Spring Stroke (mm)	$\alpha - \beta$	α
DLD090.00.55	0°	55,00	65,55	55	50°	50°
DLD090.05.55	5°	55,00	59,58	55	45°	50°
DLD090.10.55	10°	55,00	55,00	55	40°	50°
DLD090.15.55	15°	55,00	51,43	55	35°	50°



2. WORK FORCE DISTRIBUTION (kN) FOR 1 MILLION CYCLES

The following diagrams illustrate the maximum possible ranges of camforce applicable in several portions of the work area but always working in the exact direction of slider work stroke. If several forces are applied simultaneously on the work area, their common center has to be specified and compared with the tabular infos. The sum of all forces has to be lower than the corresponding tabular value.



Max Work Force with shoulder
on Cam Driver



Max Work Force without shoulder

Assembly with shoulder

		WIDTH		
		30	30	30
HEIGHT	$\beta=0^\circ \div 15^\circ$			
	27	23	52	23
	28	30	79	30
	27	26	68	26

Assembly without shoulder

		WIDTH		
		30	30	30
HEIGHT	$\beta=0^\circ \div 15^\circ$			
	27	11	26	11
	28	14	39	14
	27	12	34	12