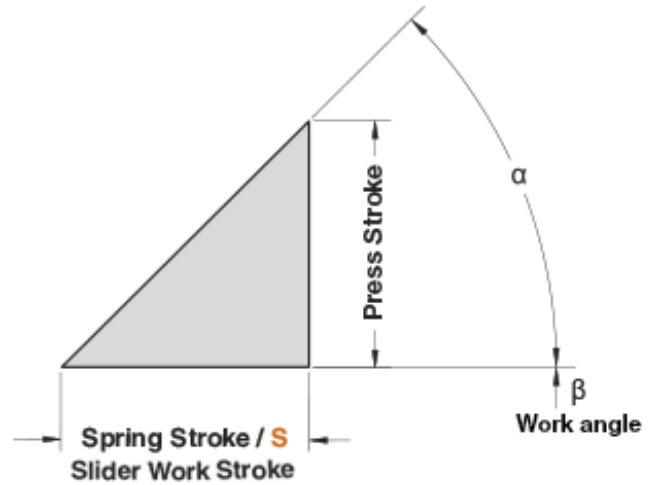
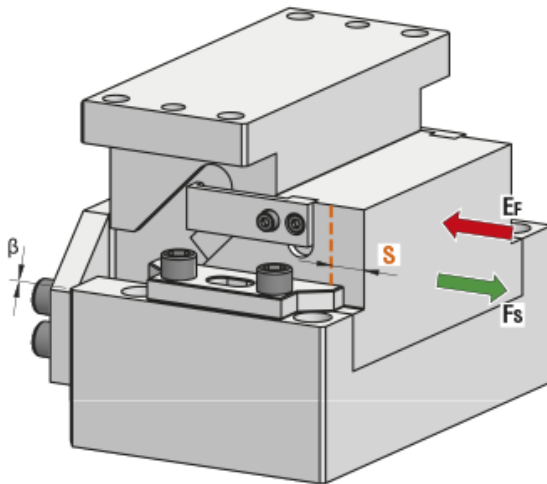




1. CAM DIAGRAM



OMCR CODE		Work Angle β	Slider Work Stroke S (mm)	Press Stroke (mm)	Spring Stroke (mm)	$\alpha - \beta$	α
DLCA300.00.40	DLC300.00.40	0°	40	40	40	45°	45°
DLCA300.00.60	DLC300.00.60	0°	60	60	60	45°	45°



2. WORK FORCE DISTRIBUTION (kN) FOR 1 MILLION CYCLES

The following diagrams illustrate the maximum possible ranges of camforce applicable in several portions of the work area but always working in the exact direction of slider work stroke. If several forces are applied simultaneously on the work area, their common center has to be specified and compared with the tabular infos. The sum of all forces has to be lower than the corresponding tabular value.



Max Work Force with shoulder on Cam Driver



Max Work Force without shoulder

Assembly with shoulder

		WIDTH				
		60	60	60	60	60
$\beta=0^\circ$						
HEIGHT	43	55	68	101	68	55
	44	58	105	127	105	58
	43	60	91	189	91	60

Assembly without shoulder

		WIDTH				
		60	60	60	60	60
$\beta=0^\circ$						
HEIGHT	43	25	31	51	31	25
	44	26	47	63	47	26
	43	27	41	95	41	27