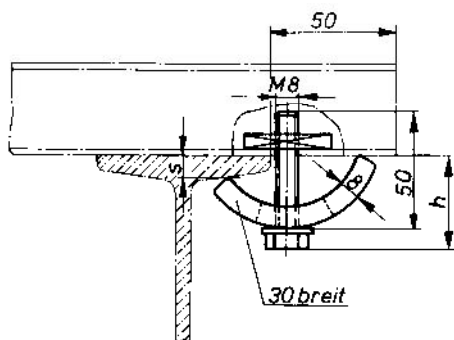


Fixing material

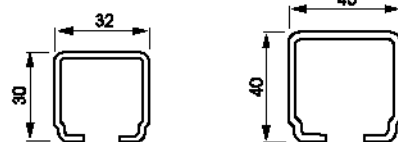


Clamping jaw

Material: Steel, galvanised

Use: for fastening the clamping arm to the T-beam.

Clamping thickness "s" (mm)	4	6	8	10	12	16	20
Installation height "h" (mm)	31	32	33	34	35	37	40

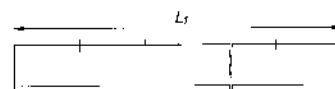


Order No.	NO 20180-8	NO 20180-8
-----------	------------	------------

Also available:

NO 20180-10

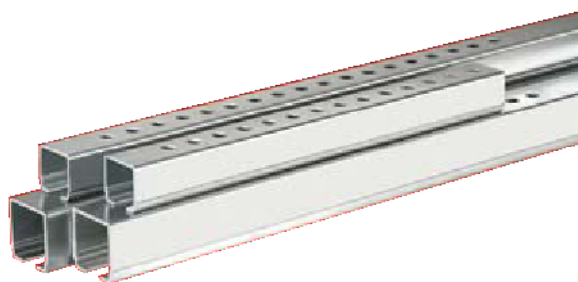
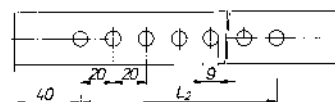
NO 20180-12



Clamping arm

Material: Steel, galvanised

Use: for clamping the rail



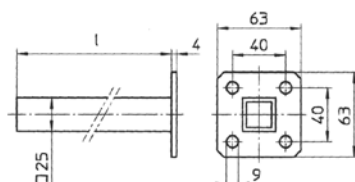
		30	40
L1	L2	Order No.	Order No.
250	200	NO 20185-250	NO 20186-250
315	260	NO 20185-315	NO 20186-315
400	340	NO 20185-400	NO 20186-400
500	340	NO 20185-500	NO 20186-500
630	340	NO 20185-630	NO 20186-630
800	340	NO 20185-800	NO 20186-800
1000	340	NO 20185-1000	NO 20186-1000
1250	340	NO 20185-1250	NO 20186-1250



Carrier arm

Material: Steel, galvanised

Use: for transporting the collector trolley



		30	40
Length L	mm	Order No.	Order No.
400		NO 20195-400	NO 20195-400
630		NO 20195-630	NO 20195-630



Square nut + bolt complete

		30	40
Order No.		NO 20176-8x16	NO 20176-8x16