

Series **52H05-6** Product Overview

Modular Manual Clamp

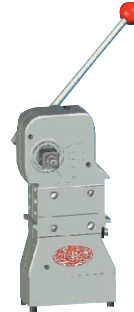
Applications

Clamping, holding, gripping and positioning of metal sheets and other parts, mainly in jigs for prototype-shop

Features

- Compact closed aluminium body
- Toggle action mechanism with locking unit for open position
- Handlever can be welded in correct position
- Handlever can be mounted left or right side of body
- Interchangeable with pneumatic clamp 82M-3 (Size 63) and 82M-6

- Opening angle adjustable in 15° steps (15°–120°)
- Wide range of clamping arm variants
- Mounting areas of front, back and sides
- Inductive sensing module with LED display



**52H05-623KAA**

Modular manual clamp, interchangeable with 82M-3 (Size 63) and 82M-6

Model		Standard	Max. holding torque Nm	Drive shaft for clamping arm variant	Clamping position	Weight Kg
without sensing	with inductive sensing opening Connector M12x1					
52H05-623KAA	52H05-623KA1/ 52H05-623KA2	120°	1000	lateral, U-centric/ U-side	horizontal/ vertical	4,1
52H05-623SAA	52H05-623SA1/ 52H05-623KA2	120°	1000	lateral, U-centric/ U-side	horizontal/ vertical	4,1

Order numbering code for **52H05-6.....**

Example Order no.: **52H05 - 623 K AA**

52H05-623

**Basic model**

**K** = with handlever welded.  
Handlever-Set  
8KB-053-1

**S** = Handlever weldable  
Handlever-Set  
8KB-052-1

**Handlever**

**AA** = without sensing  
82M-000000AA  
(8AB-066-2)

**A1** = inductive sensing  
82M-000000A1  
Connector plug  
M12x1, parallel  
with cylinder

**A2** = inductive sensing  
82M-000000A2  
Connector plug  
M12x1, 90° swivel

**Sensing system**

Accessory  
Two hand operation  
82ZB-032-2

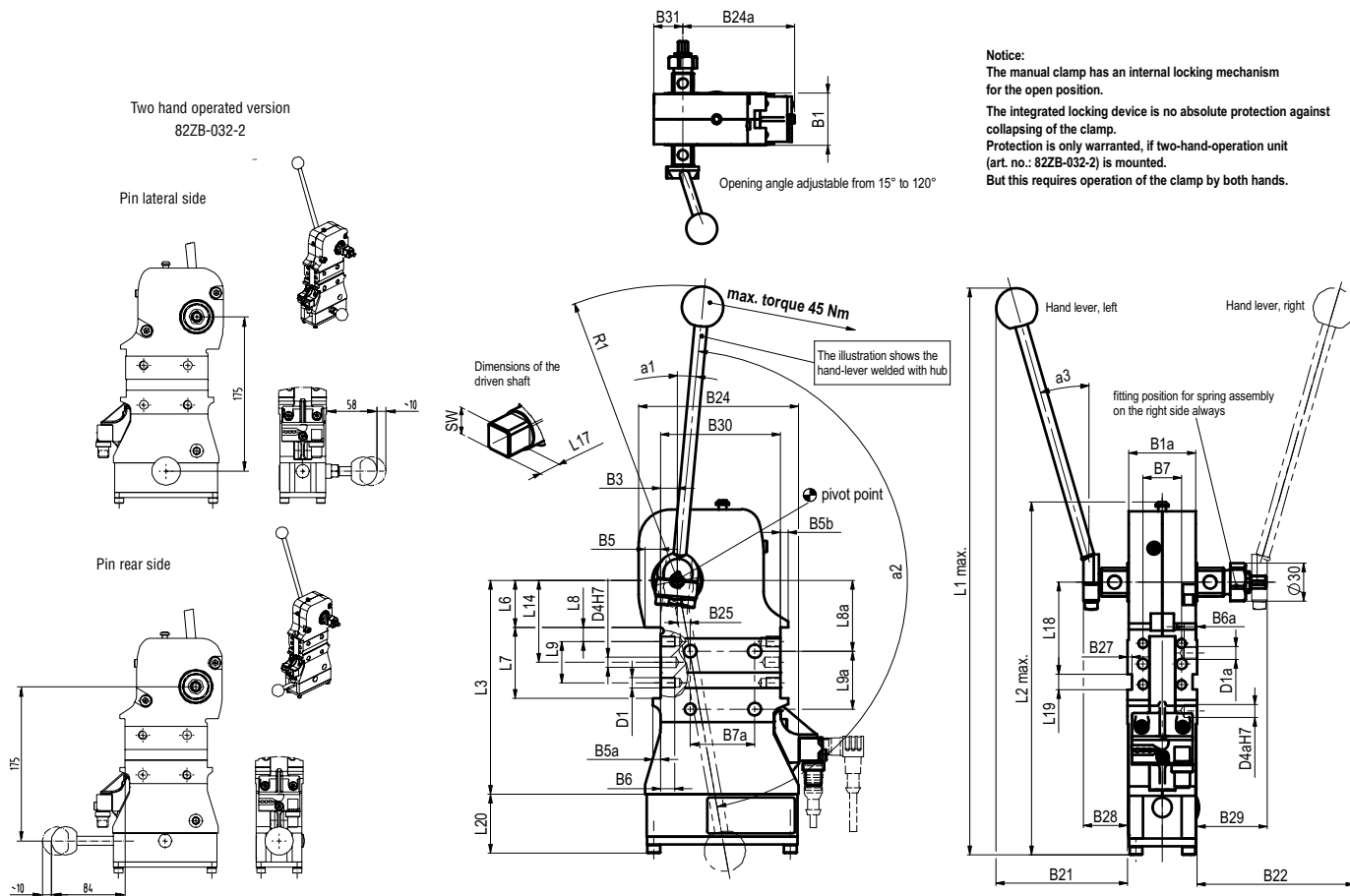
Assembly at hold open pin  
is possible on rear side or  
lateral side.

**Accessories**

Series 52H05-6 Standard Dimensions

Spare parts

Specification	Base component	Order no.	Comment
Hand lever set (weldable)	52H05-6...	8KB-052-1	
Hand lever set welded	52H05-6...	8KB-053-1	
Complete sensor box for A1 sensing system	52H05-6...A1	82M-000000A1	Connector plug M12x1, parallel with cylinder
Box without sensors	52H05-6...AA	82M-000000AA	
Complete sensor box for A2 sensing system	52H05-6.....A2	82M-000000A2	Connector plug M12x1, 90° swivel



Model	B1	B1	B3	B5	B5a	B5b	B6	B6a	B7*	B7a*	B22	B24	B24a	B25	B27	B28	B29	B30	B31	D1	D1a	
52H05-6230...	±0,1		±0,1						±0,1	±0,1												

Model	D4	D4a	L1	L2	L3	L6	L7	L8	L8a	L9	L9a	L14	L17	L18	L19	L20	SW	α1	α2	α3	R1
52H05-6230...	H7	H7	max	max		±0,05	+0,1	±0,1	±0,1	±0,1	±0,1	±0,1		N9		H9	~	max.	~	~	

Series **52H05-6** Clamping Arm Variants

Clamping arm design

U-type central clamping arm

Clamping position

Horizontal or Vertical



U-type central clamping arm, horizontal clamping position

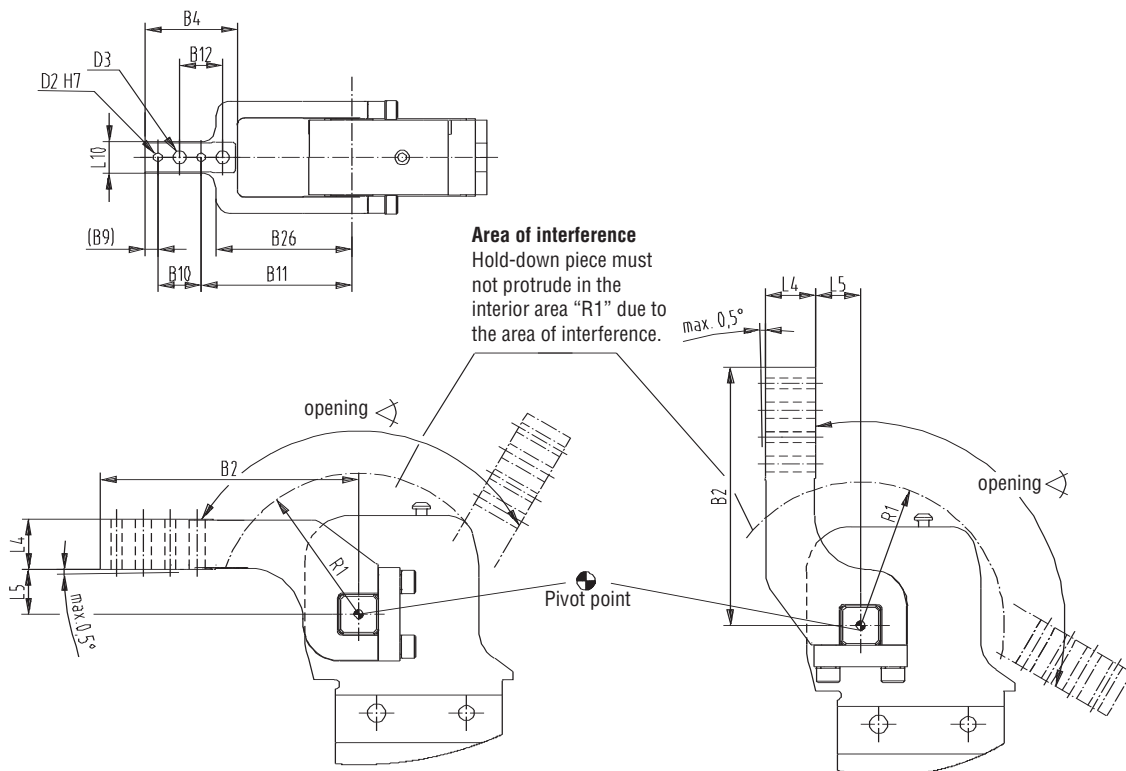
Technical data U-type central clamping arms

Model	Order no. for set of U-type central clamping arms	Max. opening angle for clamping position		Weight Kg	B2	B4	B9	B10	B11	B12	B26	D2	D3	L4	L5	L10	R1
		Horz.	Vert.											H7			
<b>52H05-6</b>	8UM 631-15-144	120°	105°	1,1	144	64.3	9	30	105	30	95	6	9	28	15	20	80
	8UM 631-25-144	120°	120°	1,1	144	64.3	9	30	105	30	95	6	9	28	25	20	80
	8UM 631-45-144	120°	120°	1,3	144	64.3	9	30	105	30	95	6	9	28	45	20	80
	8UM 631-75-204	120°	120°	1,7	204	82	9	30	165	30	107	6	9	30	75	20	80

U-type central clamping arms for **52H05-6**

Horizontal clamping arm position

Vertical clamping arm position



Series 52H05-6 Clamping Arm Variants

Clamping arm design

Lateral / Left

Lateral / Right

Lateral / Both Sides

Clamping position

Horizontal or Vertical

Horizontal or Vertical

Horizontal or Vertical



Lateral clamping arm, horizontal clamping position

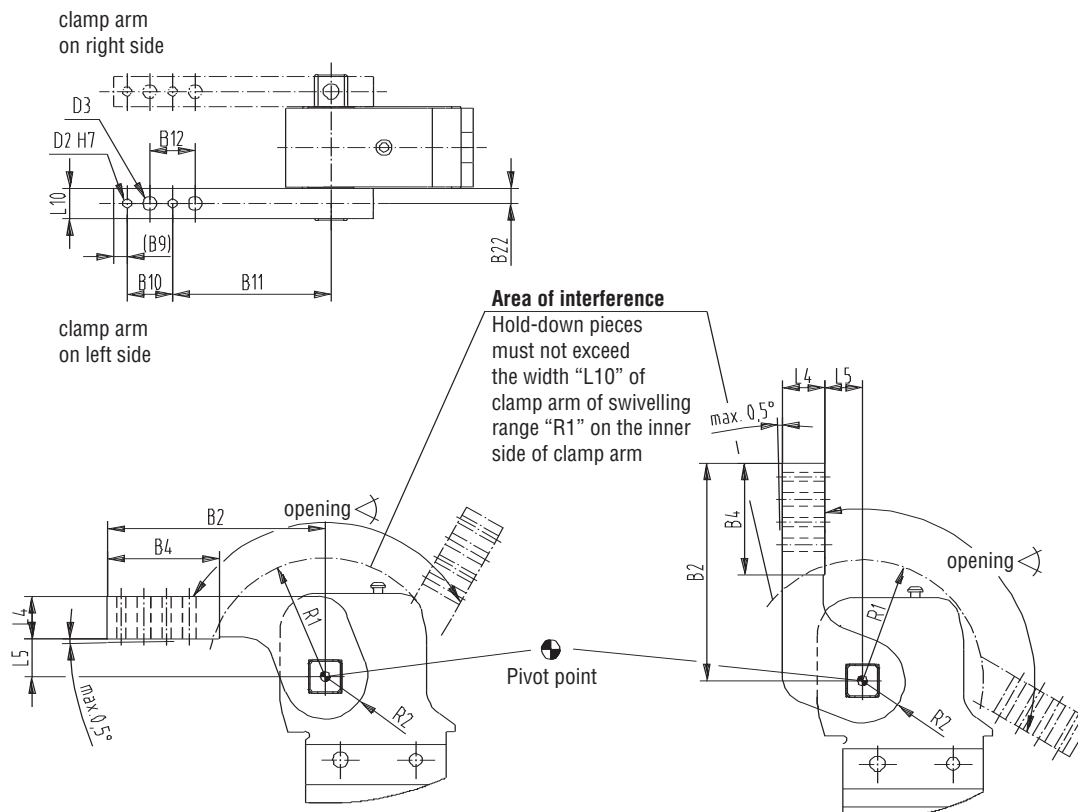
Technical data (lateral clamping arms)

Model	Order no. for set of lateral clamping arms	Opening angle for clamping position		Weight Kg	B2	B4	B9	B10	B11	B12	B22	D2	D3	L4	L5	L10	R1	R2
		Horz.	Vert.										H7 Ø	Ø	±0,1	(-0,5° max.)		
52H05-6	8JG-080-1-01	120°	120°	0,9	144	74	9	30	105	30	10	6	9	28	15	20	80	28
	8S631-25-144	120°	120°	1	144	74	9	30	105	30	10	6	9	28	25	20	80	28
	8S631-75-204	120°	120°	1,5	204	78	9	30	165	30	10	6	9	30	75	20	80	28

Lateral clamping arms for 52H05-6

Horizontal clamping arm position

Vertical clamping arm position



Series **52H05-6** Clamping Arm Variants

Clamping arm design

U-type clamping arm, Left

U-type clamping arm, Right

Clamping position

Horizontal or Vertical

Horizontal or Vertical

U-type clamping arm, left,  
horizontal clamping position



U-type clamping arm, right,  
horizontal clamping position



Technical data (U-type clamping arms, left and right)

Order no. for set of U-type central clamping arms for <b>52H05-6</b>		Max. opening angle for clamping position		Weight Kg	B2	B4	B9	B10	B11	B12	B26	D2	D3	L4	L5	L10	L13	R1
		Horz.	Vert.		±0,02	±0,01	±0,2	H7	±0,1	(-0,5° max.)	±1,2	±0,1	~					
<b>8UL631-15-144</b>	<b>8UR631-15-144</b>	120°	105°	1,1	144	64.3	9	30	105	30	95	6	9	28	15	20	37	80
<b>8UL631-25-144</b>	<b>8UR631-25-144</b>	120°	120°	1,1	144	64.3	9	30	105	30	95	6	9	28	25	20	37	80
<b>8UL631-45-144</b>	<b>8UR631-45-144</b>	120°	120°	1,3	144	64.3	9	30	105	30	95	6	9	28	45	20	37	80
<b>8UL631-75-204</b>	<b>8UR631-75-204</b>	120°	120°	1,7	204	82	9	30	165	30	119	6	9	30	75	20	37	80

Lateral U-type clamping arms for **52H05-6**

Horizontal clamping arm position

Vertical clamping arm position

