

Series **56H40-2** Product Overview

**Features:**

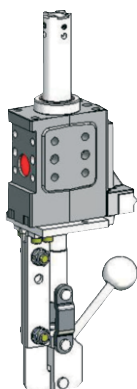
- Compact design
- Low weight
- High accuracy of positioning due to twin piston rod guide
- Lateral and front-face mounting areas
- Length of stroke: 20mm, 40mm or 60mm available
- Various mounting bases for centering pin incl. precision bore holes and grooves or integrated thread
- Inductive sensing module with LED display
- Toggle lock in extended position prevents unintended retracting of piston rod

**Application:**

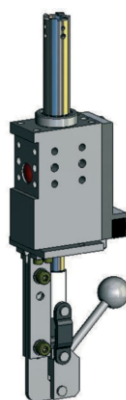
Accurate positioning of sheet metal parts in welding equipment and handling systems. At the end of the welding process, the pins are retracted from the pin holes. The component can thus be easily removed from the jig.

**Key areas of application:**

Automotive manufacturing, sheet processing industry, jig and general mechanical engineering.

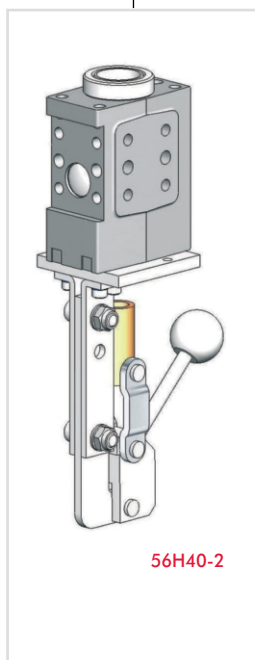


**56H40-202C800A**  
stroke 40 mm and sensing kit

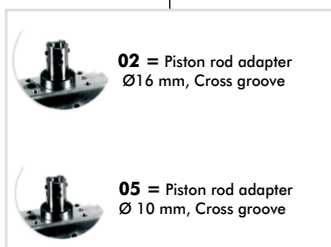


**56H40-202C800C**  
stroke 60 mm and sensing kit

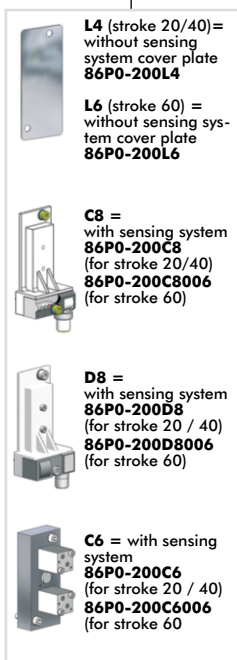
Order no. Example: **56H40-2 02 C8 00 A K** — K = ceramic coating plunger



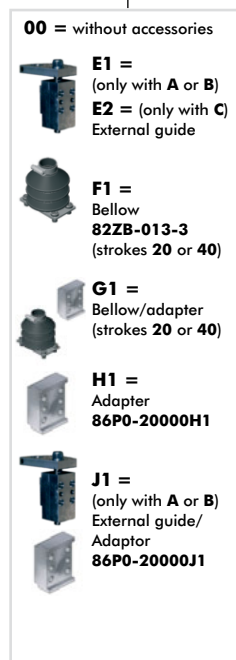
**Base Model**



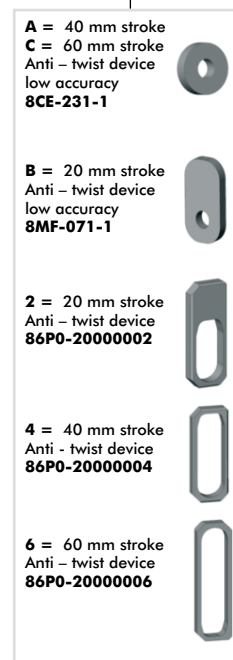
**Piston rod adapter**



**Inductive sensing system**

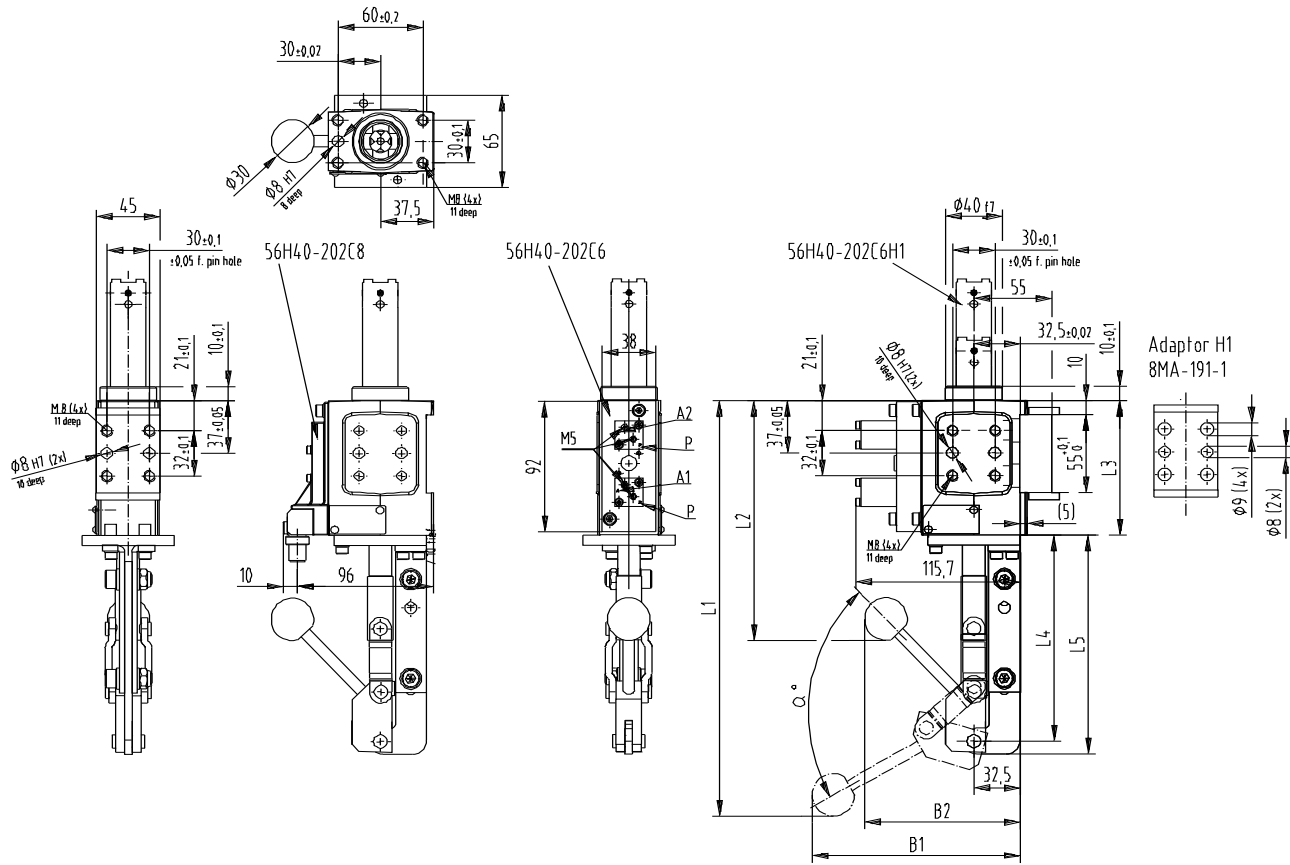


**Accessories**



**Stroke**

Series 56H40-2 Clamp Dimensions



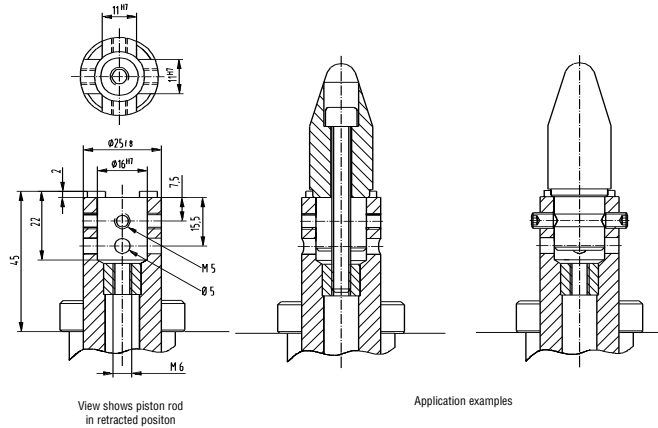
Pneumatic Position Control System:  
 P = Compressed air connection for position control system  
 A1 = Control connection for retracted position  
 A2 = Control connection for extracted position

Series 56H40-2 Technical Information

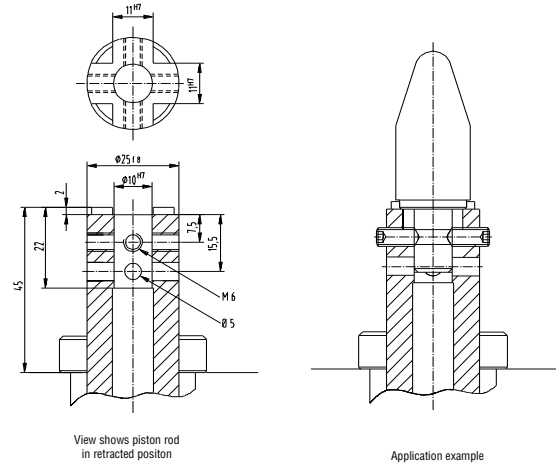
Model no.	Stroke +2 [mm]	Weight ~ [kg]	B1	B2	L1	L2	L3	L4	L5	W ~
56H40-2..2	20	2,0	182	140	312	138	95	166	175	40
56H40-2..4	40	2,0	182	140	312	138	95	146	155	75
56H40-2..6	60	2,5	133	157	385	182	115	146	155	90
56H40-2..B	20	2,0	182	140	312	138	95	166	175	40
56H40-2..A	40	2,0	182	140	312	138	95	146	155	75
56H40-2..C	60	2,5	133	157	385	182	115	146	155	90

Series **56H40-2** Standard Clamp Dimensions

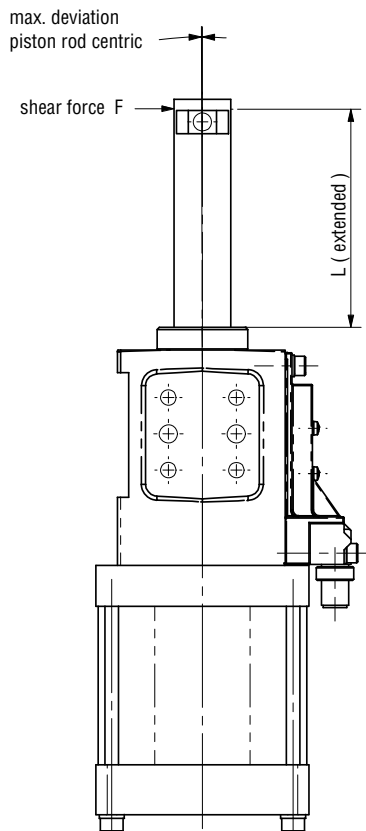
Piston Rod Model **-202** Detail mounting base  $\varnothing 16$  mm for **56H40-2**



Piston Rod Model **-205** Detail mounting base  $\varnothing 10$  mm for **56H40-2**



Max deflection for centering pin for **56H40-2**



Model no.	Shear force N [lbs]	L mm [in]	Stroke mm [in]	Deviation mm [in]
<b>56H40-2...B / 2</b>	200 [45]	52 [2.0]	20 [0.08]	0,06 [0.002]
<b>56H40-2...A / 4</b>	200 [45]	70 [2.8]	40 [1.60]	0,09 [0.004]
<b>56H40-2...C / 6</b>	200 [45]	90 [3.5]	60 [2.40]	0,12 [0.007]

**Caution:** Generally we recommend using an external guide when the transverse force is more than 200 N [45 lbs]. Also independently of the stroke, less transverse forces, when the overall height  $L2 > 120$  mm [4.7 in] (  $L2 =$  extended piston rod plus centering pin ).