

Series 210 Product Overview

Features:

- DE-STA-CO® Toggle Lock Plus versions available
- Available in stainless steel
- Accomodates M10 or 3/8 spindle accessories

Applications:

- Assembly & test
- Light machining
- Light welding

Also Available:

See page 7.1 for accessories
 810-U Pneumatic Toggle Clamp
 (See page 9.9)
 810-S Pneumatic Toggle Clamp
 (See page 9.9)

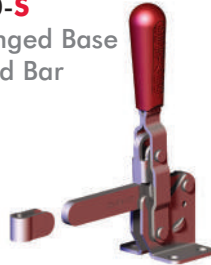
210-U
 Flanged Base
 U-Bar



210-USS
 Flanged Base
 U-bar, Stainless
 Steel



210-S
 Flanged Base
 Solid Bar



210-UB
 Straight Base
 U-bar



210-SB
 Straight Base,
 Solid Bar



210-UR
 Flanged Base
 U Bar
 with
 DE-STA-CO®
 Toggle Lock
 Plus



210-SR
 Flanged Base
 Solid Bar
 with
 DE-STA-CO®
 Toggle Lock
 Plus



210-TU
 Flanged Base
 U Bar,
 T-Handle

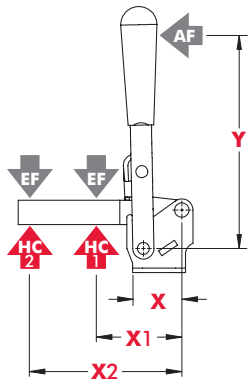


Note: Clamps shown with included accessories.

Series 210 Technical Information

Model	Max. Holding Capacity	Clamp Bar Opening (+10°)	Handle Opening (+10°)	Weight	Accessories (Supplied)		
					Bolt Retainer	Spindle Assembly	Flanged Washers
210-U	2670 N [600 lbf]	103°	58°	0,59kg [1.29lbs]	---	240208-M	235106
210-USS	3340 N [750 lbf]				---	237943-M	235906
210-S					210114	237943-M	---
210-UB	2670 N [600 lbf]				---	240208-M	235106
210-SB	3340 N [750 lbf]			210114	---	---	
210-UR	2670 N [600 lbf]			---	240208-M	235106	
210-SR	3340 N [750 lbf]			210114	---	---	
210-TU	2670 N [600 lbf]			---	---	235106	

Series 210 Holding Capacities

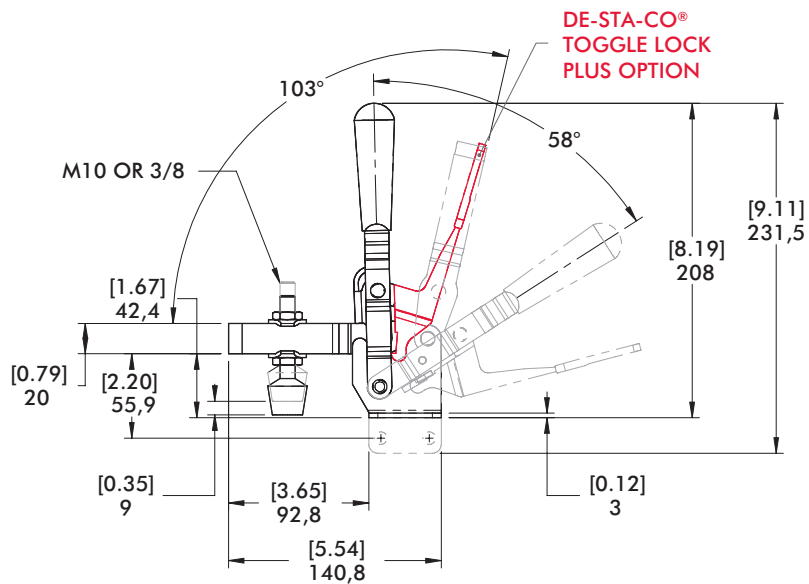
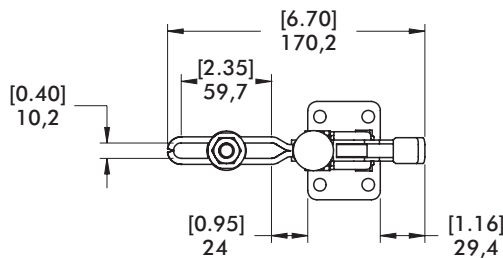
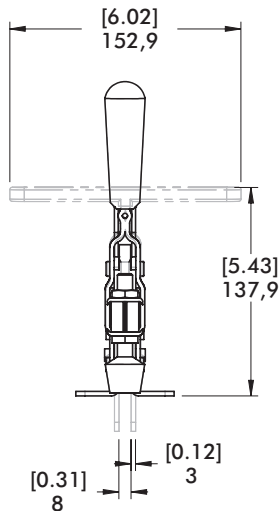
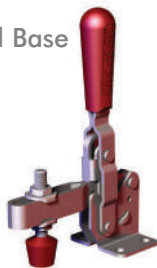


Model	X	X1	X2	Y	±HC1	±HC2	±EF(X1):AF	EF(X2):AF
U/UB/UR	[1.54] 39	[2.38] 60,5	[4.88] 124	[6.75] 171,5	[600lbf.] 2670N	[290lbf.] 1290N	14:1	7:1
USS		[3.62] 92,0	[5.25] 133	[4.50] 114,5	[750lbf.] 3340N	[360lbf.] 1600N		
S/SR/SB		[2.38] 60,5	[4.88] 124		[600lbf.] 2670N	[290lbf.] 1290N	11:1	9:1
TU								

Dimensions shown "mm [inch]" ± HC = Holding Capacity, EF = Exerting Force, AF = Applied Force
Refer to page 15.4 for additional information.

Series 210 Standard Clamp Dimensions -U/-USS/-S/-UB/-SB/-UR/-SR/-TU

210-U
Flanged Base
U-Bar



210-SR
Flanged Base
Solid Bar
with
DE-STA-CO®
Toggle Lock
Plus

