

Series 6004 Product Overview

Features:

- Similar in size to Model 604, with a solid body
- 50% more holding capacity than 604
- May be mounted through a hole or in a tapped hole.
- Locks over center in the extended and retracted position

Applications:

- Assembly
- Checking fixtures
- Welding fixtures
- Tensioning devices

Also Available:

See page 7.1 for accessories

Covered under one year or more U.S./International Patents

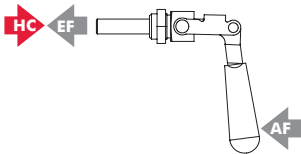
6004
6004-MM



6004-R
6004-MMR
with
DE-STA-CO®
Toggle Lock
Plus

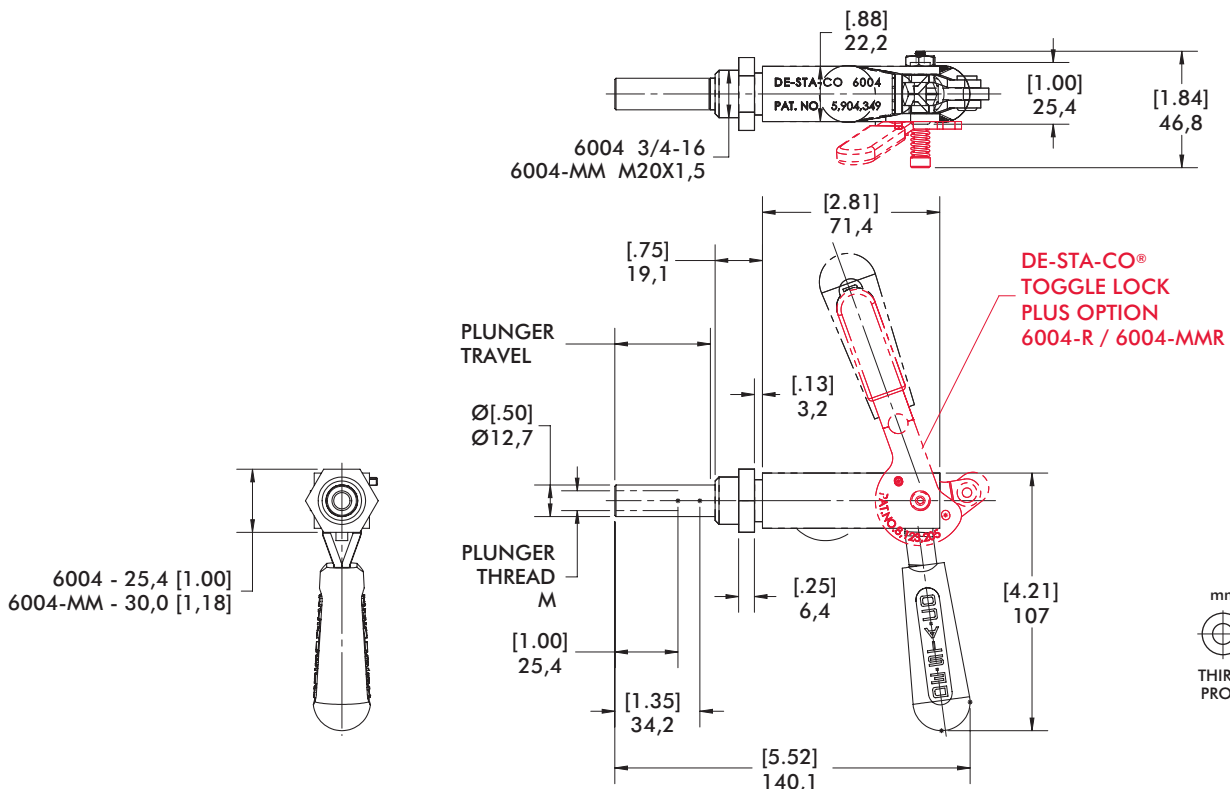


Series 6004 Technical Information, Holding Capacities, Standard Clamp Dimensions



Model	Max. Holding Capacity	Weight	EF:AF (pushing)	Plunger Travel	(M) Plunger Thread	Spindle (Recommended)	Mounting Nut (Supplied)
6004	[450 lbf] 2000 N	[0.81 lb] 0,37kg	14.4:1	38 [1.50]	5/16-18	207203	606104
6004-MM					M8	207203-M	606104-M
6004-R		[0.89 lb] 0,40kg			5/16-18	207203	606104
6004-MMR					M8	207203-M	606104-M

HC = Holding Capacity, EF = Exerting Force, AF = Applied Force

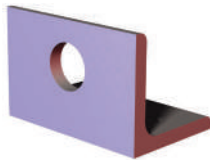


Mounting Plates for Series 602, 604, 624, 6004 Product Overview

Features:

- Mounting accessories for Threaded Body Straight Line Action Clamps

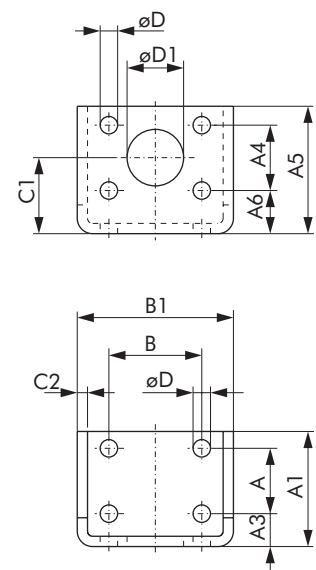
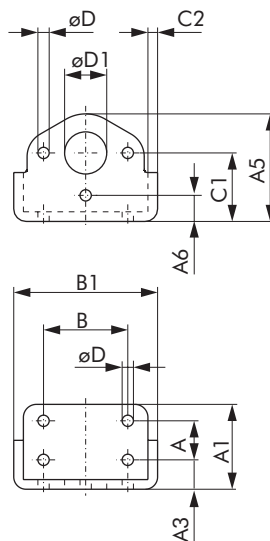
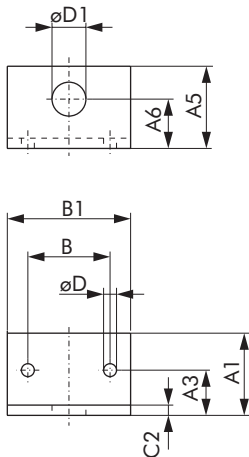
602106-M



604106,
604106-M



624106-M



Item Number	For Use With	A	A1	A3	A4	A5	A6	B	B1	C1	C2	D	D1
602106-M	602 602-MM	--	[1.57] 40	[0.87] 22	--	[1.57] 40	[0.94] 24	[1.57] 40	[2.36] 60	--	[0.20] 5	[0.25] 6,3	[0.65] 16,5
604106	604 6004	[0.75] 19,1	[1.60] 40,6	[0.55] 14	--	[2.05] 52,1	[0.50] 12,7	[1.62] 41,1	[2.80] 71,1	[1.30] 33	[0.19] 4,7	[0.22] 5,6	[0.75] 19,1
604106-M	604-MM 6004-MM												[0.81] 20,5
624106-M	624 624-MM	[1.25] 31,8	[2.20] 56	[0.63] 16	[1.25] 31,8	[2.44] 62	[0.83] 21	[1.78] 45,2	[2.99] 76	[1.46] 37	[0.20] 5	[0.33] 8,5	[1.08] 27,5

Dimensions shown mm [inch]