

# INDUSTRIAL SHOCK ABSORBERS POWERSTOP

## INSTALLATION SIZE M27X3

### ▶ PRODUCT SPECIFICATIONS



PowerStop®

- ▶ **Angle of Impact max.** 2 [°]
- ▶ **Piston return time** 0.4 [s]
- ▶ **Permitted temperature range** -10 ... +70 [°C]
- ▶ **Max. High Energy pressure (abs.)** 10 [bar]
- ▶ **Max. Standard Energy pressure (abs.)** 1 [bar]
- ▶ **Max. locknut tightening torque** 60 [Nm]
- ▶ **PWIS-free** Yes
- ▶ **RoHS compliant** Yes
- ▶ **REACH compliant** Yes

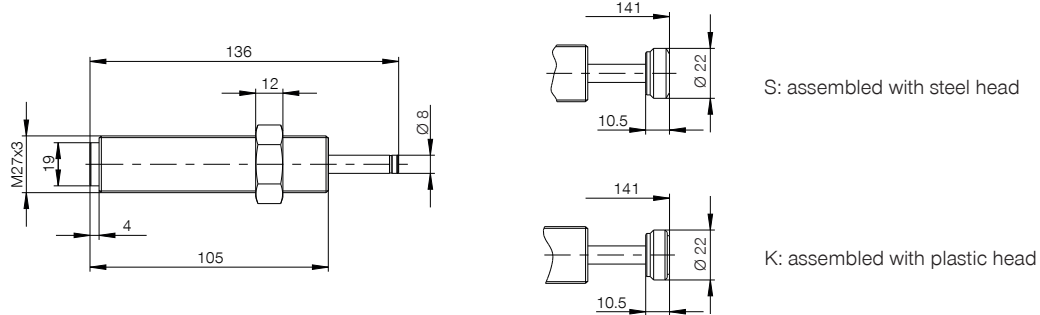
### ▶ TECHNICAL DATA

#### ▶ Installation Size: **M27X3**

	Max. energy absorption		Stroke	Impact speed		Return force		Weight	
	Continuous operation	Emergency stop operation		min.	max.	min.	max.		
	per stroke	per hour	per stroke					[mm]	[m/s]
<b>Order No.</b>	[Nm]	[Nm/h]	[Nm]	[mm]	[m/s]	[N]	[N]	[g]	
<b>HIGH ENERGY</b>									
<b>M27X3W</b>	100	80,000	100	25	1.8	4	25	50	370
<b>M27X3WS</b>	100	80,000	100	25	1.8	4	25	50	395
<b>M27X3WK</b>	100	80,000	100	25	1.8	4	25	50	390
<b>M27X3S</b>	190	100,000	300	25	1.8	3.5	25	50	370
<b>M27X3SS</b>	190	100,000	300	25	1.8	3.5	25	50	395
<b>M27X3SK</b>	190	100,000	300	25	1.8	3.5	25	50	390
<b>M27X3M</b>	210	120,000	400	25	0.8	2.2	25	50	370
<b>M27X3MS</b>	210	120,000	400	25	0.8	2.2	25	50	395
<b>M27X3MK</b>	210	120,000	400	25	0.8	2.2	25	50	390
<b>M27X3H</b>	210	120,000	450	25	0.2	1.2	25	50	370
<b>M27X3HS</b>	210	120,000	450	25	0.2	1.2	25	50	395
<b>M27X3HK</b>	210	120,000	450	25	0.2	1.2	25	50	390

<b>Order no.</b>	Continuous operation	Emergency stop operation	Stroke	Impact speed min.	Impact speed max.	Return force min.	Return force max.	Weight	
<b>STANDARD ENERGY</b>									
<b>M27X3RS</b>	90	80,000	90	25	1.8	3.5	10	35	355
<b>M27X3RSS</b>	90	80,000	90	25	1.8	3.5	10	35	380
<b>M27X3RSK</b>	90	80,000	90	25	1.8	3.5	10	35	375
<b>M27X3RM</b>	90	80,000	90	25	0.8	2.2	10	35	355
<b>M27X3RMS</b>	90	80,000	90	25	0.8	2.2	10	35	380
<b>M27X3RMK</b>	90	80,000	90	25	0.8	2.2	10	35	375
<b>M27X3RH</b>	90	80,000	90	25	0.2	1.2	10	35	355
<b>M27X3RHS</b>	90	80,000	90	25	0.2	1.2	10	35	380
<b>M27X3RHK</b>	90	80,000	90	25	0.2	1.2	10	35	375

► TECHNICAL DRAWINGS



► ACCESSORIES

► Installation Size: **M27X3**

Pos.	Order no.	Accessories	Weight [g]	Remarks
①	<b>MSM27X3</b>	Steel locknut	40	
①	<b>MVM27X3</b>	Stainless steel locknut	40	
②	<b>MAH27X3</b>	Stop sleeve	155	Including 1x MVM27X3
③	<b>MKF27X3</b>	Clamping flange	255	Max. tightening torque of the screws 22 Nm
④	<b>MRA27X3</b>	Side load adapter / air barrier adapter	380	Max. angle of impact 30°, suitable MSM, MVM, MAH and MKF in the size M33X1.5 Including setscrew in compressed air connection M5
⑤	<b>MKM27X3</b>	Cooling nut	85	Increase of the energy absorption per hour up to 1.5 times

