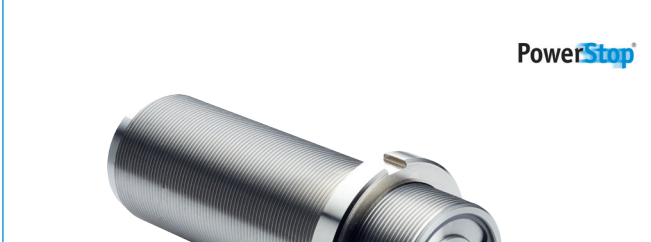


INDUSTRIAL SHOCK ABSORBERS POWERSTOP

INSTALLATION SIZE M45X1.5

▶ PRODUCT SPECIFICATIONS



PowerStop®

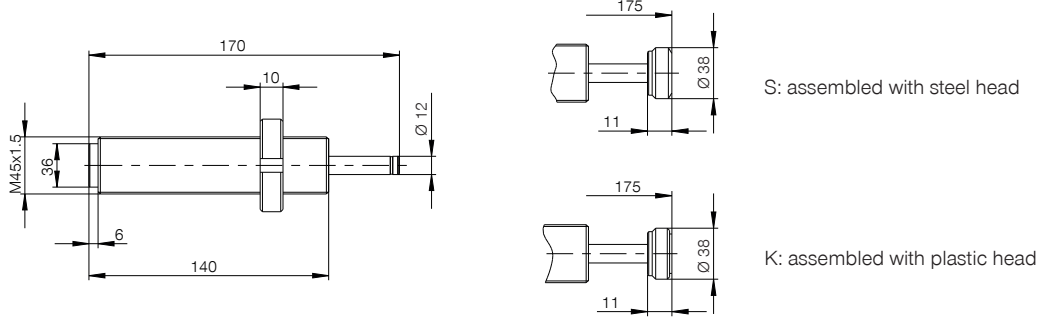
- ▶ **Angle of Impact max.** 2 [°]
- ▶ **Piston return time** 0.4 [s]
- ▶ **Permitted temperature range** -10 ... +70 [°C]
- ▶ **Max. High Energy pressure (abs.)** 10 [bar]
- ▶ **Max. Standard Energy pressure (abs.)** 1 [bar]
- ▶ **Max. locknut tightening torque** 100 [Nm]
- ▶ **PWIS-free** Yes
- ▶ **RoHS compliant** Yes
- ▶ **REACH compliant** Yes

▶ TECHNICAL DATA

▶ Installation Size: M45X1.5

	Order No.	Max. energy absorption		Stroke [mm]	Impact speed		Return force		Weight [g]	
		Emergency stop operation			min.	max.	min.	max.		
		per stroke [Nm]	per hour [Nm/h]							per stroke [Nm]
HIGH ENERGY	M45X1.5S	600	150,000	1400	25	1.8	3.5	30	60	1290
	M45X1.5SS	600	150,000	1400	25	1.8	3.5	30	60	1380
	M45X1.5SK	600	150,000	1400	25	1.8	3.5	30	60	1360
	M45X1.5M	650	170,000	1500	25	0.8	2.2	30	60	1290
	M45X1.5MS	650	170,000	1500	25	0.8	2.2	30	60	1380
	M45X1.5MK	650	170,000	1500	25	0.8	2.2	30	60	1360
	M45X1.5H	650	170,000	1600	25	0.2	1.2	30	60	1290
	M45X1.5HS	650	170,000	1600	25	0.2	1.2	30	60	1380
	M45X1.5HK	650	170,000	1600	25	0.2	1.2	30	60	1360
STANDARD ENERGY	M45X1.5RS	350	140,000	350	25	1.8	3.5	35	65	1190
	M45X1.5RSS	350	140,000	350	25	1.8	3.5	35	65	1280
	M45X1.5RSK	350	140,000	350	25	1.8	3.5	35	65	1260
	M45X1.5RM	350	140,000	350	25	0.8	2.2	35	65	1190
	M45X1.5RMS	350	140,000	350	25	0.8	2.2	35	65	1280
	M45X1.5RMK	350	140,000	350	25	0.8	2.2	35	65	1260
	M45X1.5RH	350	140,000	350	25	0.2	1.2	35	65	1190
	M45X1.5RHS	350	140,000	350	25	0.2	1.2	35	65	1280
	M45X1.5RHK	350	140,000	350	25	0.2	1.2	35	65	1260

► TECHNICAL DRAWINGS



► ACCESSORIES

► Installation Size: **M45X1.5**

Pos.	Order no.	Accessories	Weight [g]	Remarks
①	MSM45X1.5	Steel locknut	100	
①	MVM45X1.5	Stainless steel locknut	100	
②	MAH45X1.5	Stop sleeve	550	Including 1x MVM45X1.5
③	MKF45X1.5	Clamping flange	865	Max. tightening torque of the screws 22 Nm
④	MRA45X1.5	Side load adapter / air barrier adapter	1040	Max. angle of impact 30°, Suitable MSM, MVM, MAH and MKF on request Including setscrew in compressed air connection M5
⑤	MKM45X1.5	Cooling nut	295	Increase of the energy absorption per hour up to 1.5 times

