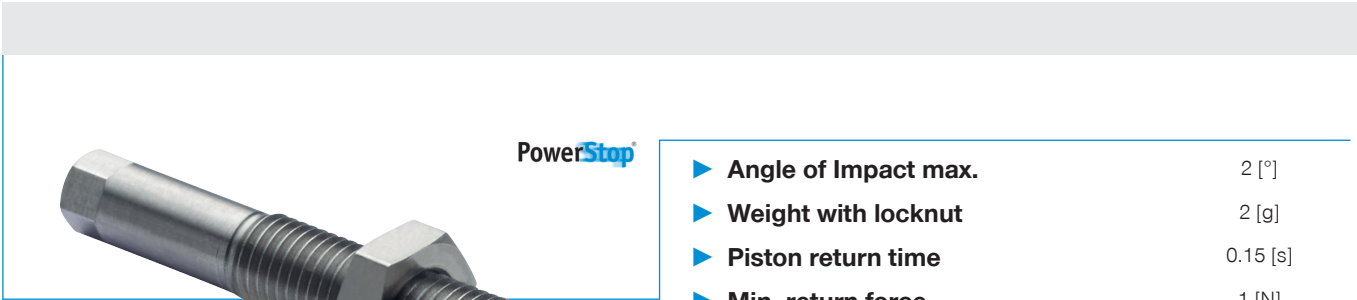


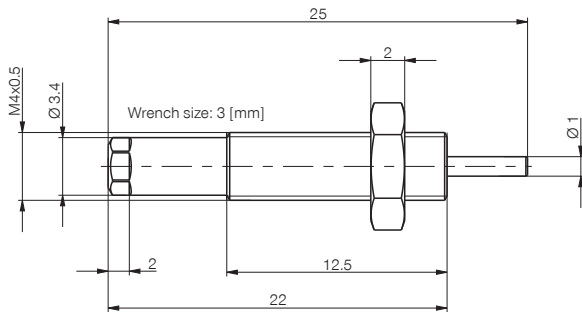
INDUSTRIAL SHOCK ABSORBER

SIZE M4X0.5



PowerStop®

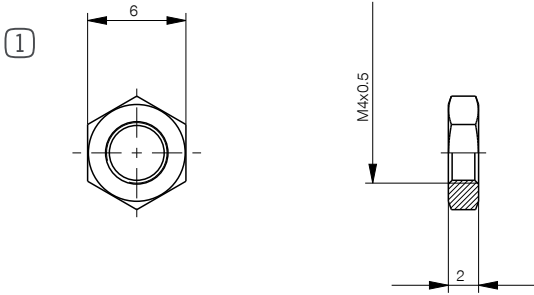
- ▶ **Angle of Impact max.** 2 [°]
- ▶ **Weight with locknut** 2 [g]
- ▶ **Piston return time** 0.15 [s]
- ▶ **Min. return force** 1 [N]
- ▶ **Max. return force** 2 [N]
- ▶ **Permitted temperature range** -10 ... +70 [°C]



▶ **Technical data**

Order No.	Max. energy absorption		Stroke	Impact speed		
	Continuous operation	Emergency stop operation		min.	max.	
	per stroke	per hour	per stroke	[mm]	[m/s]	
M4X0.5M	0.5 [Nm]	1,200 [Nm/h]	- [Nm]	3 [mm]	0.2 [m/s]	2 [m/s]

HIGH ENERGY



► Size: **M4X0.5**

Pos.	Accessories	Weight	Order no.
①	Stainless steel locknut	1 [g]	MVM4X0.5
①	Steel locknut	1 [g]	MSM4X0.5

Maximum fastening torque of locknut: 2 [Nm]