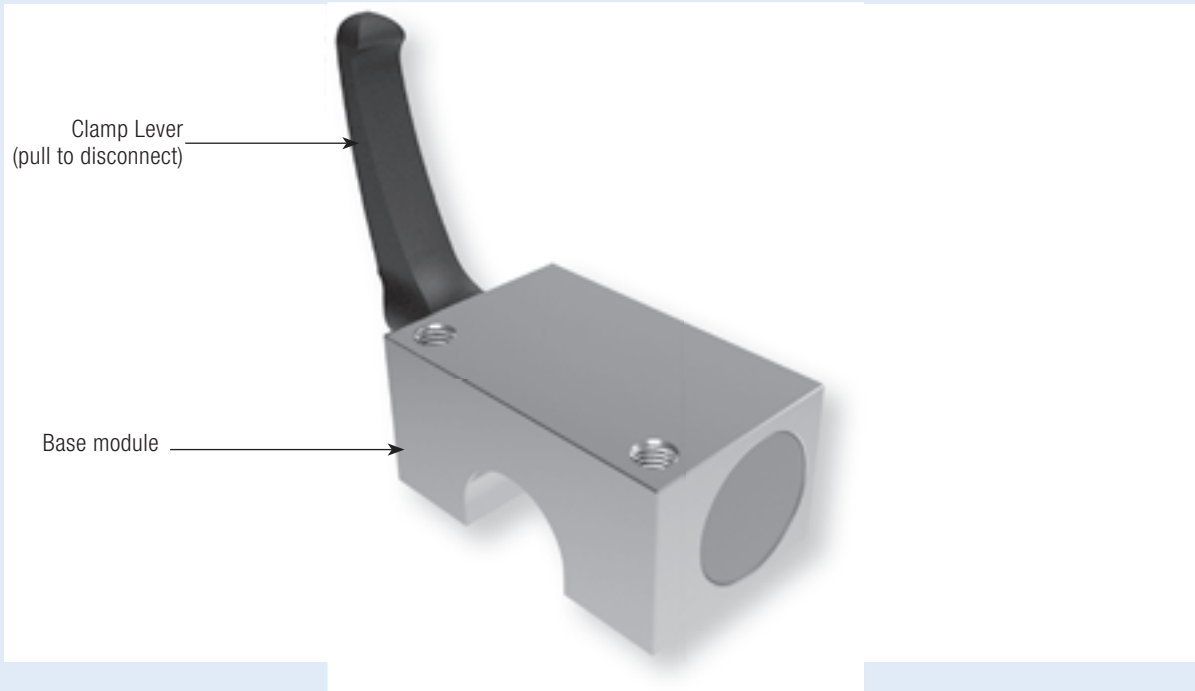


Efficient manual clamping elements for round-shaft guides **HKR**.

The HKR series is a manually operated clamping element for round-shaft guides. By rotating the freely adjustable clamp lever, the contact sections are pressed synchronously against the free surfaces of the round-shaft guide.

The floating contact sections guarantee symmetric power transmission.

HKR Series



Technical data for HKR series:

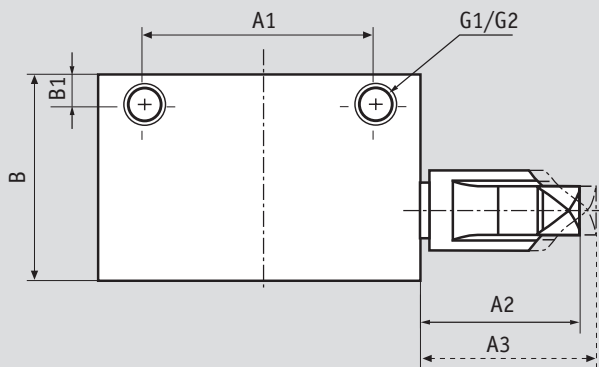
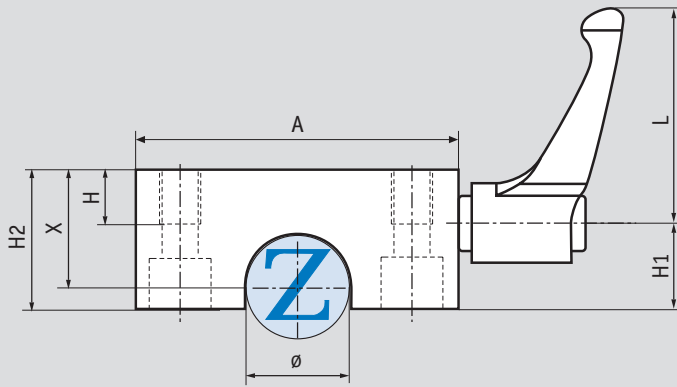
Shaft size	12–50
Holding forces	1,200 N–2,000 N
Fastening torque	5 Nm–17 Nm
Spring-loaded energy storage	-
PLUS connection	-
Clamping cycles	50,000 (B10d - value)
Braking cycles	unsuitable

Application scenarios for HKR:

- Table traverses in wood industry
- Adjustment of width in plastics processing
- Positioning of optic instruments and measuring tables

Operation for HKR:

Standard with clamp lever. Other operation options available on request, e.g. a DIN 912 screw.



Comment

G1: connection from above
G2: connection from below

Size [mm]	Item number	Holding power [N] HKR/ Fastening torque [Nm]	A [mm]	A1 [mm]	A2 [mm]	A3 [mm]	B [mm]	B1 [mm]	X [mm]	H [mm]	H1 [mm]	H2 [mm]	G1	G2	L [mm]
12	HKR 1200 A	1200N/5	43	32	30,5	33,5	32	4,5	18	10	16	24	M5	M4	44
16	HKR 1600 A	1200N/5	53	40	30,5	33,5	38	5,5	22	12	19	29	M6	M5	44
20	HKR 2000 A	1200N/7	60	45	38,5	41,5	44	6,5	25	14	21,5	32	M8	M6	63
25	HKR 2500 A	1200N/7	78	60	38,5	41,5	52	9	30	16	25	38	M10	M8	63
30	HKR 3000 A	2000N/12	87	68	46,5	50,5	58	10	35	16	28,5	43	M10	M8	78
40	HKR 4000 A	2000N/17	108	86	56,5	61,5	68	11	45	20	34,5	53	M12	M10	95
50	HKR 5000 A	2000N/17	132	108	56,5	61,5	76	12	50	22	40,5	58	M16	M14	95