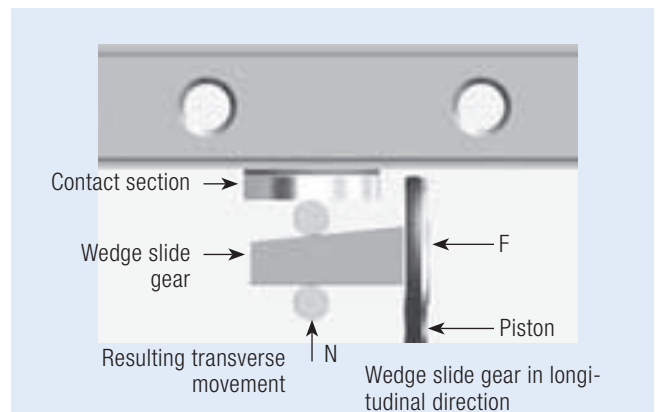


Efficient clamping elements for round-shaft guides MKR/MKRS

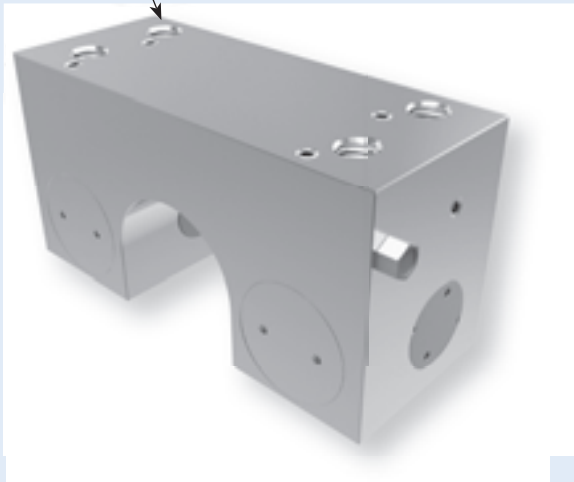
The MKR/MKRS series is our classic element for round-shaft guides that clamp (close) with pneumatic pressure. The patented wedge slide gear enables high supporting forces. The pressure medium moves the wedge slide gear in a longitudinal direction.

The resulting transverse movement presses the contact sections against the shaft guides. The MKR is clamped (closed) by pneumatic pressure. The MKRS is clamped (closed) by spring-loaded energy storage and is opened by pneumatic pressure.



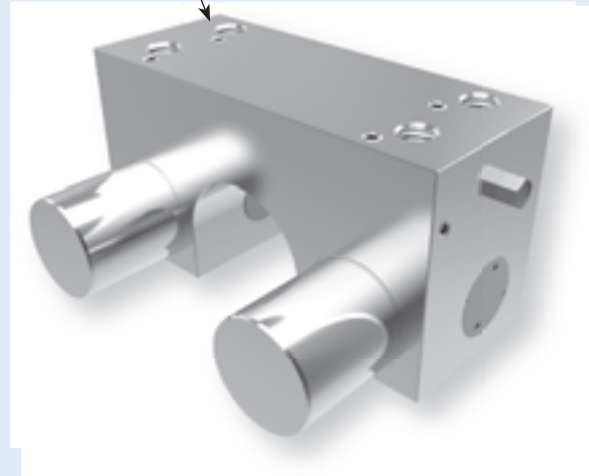
MKR Series

Base module



MKRS Series

Base module



Technical data for MKR series:

Shaft size [mm]	12–60
Holding forces	650 N–2,000 N
Min. pressure	6 bar
Max. pressure	8 bar
Spring-loaded energy storage	-
PLUS connection	-
Clamping cycles	5 mil. (B10d-value)
Braking cycles	unsuitable

Application scenarios for MKR:

- Axes with pneumatic positioning
- Table traverses in wood industry
- Fixing of vertical axes
- Positioning of lifting devices
- Pneumatic clamping of machine tables
- Machine table clamping of work centres

Connection options for MKR/MKRS:

The MKR/MKRS series have air connections on both sides as part of their standard equipment. This means that the air connection and the air-release filter can be moved over to the opposite side.

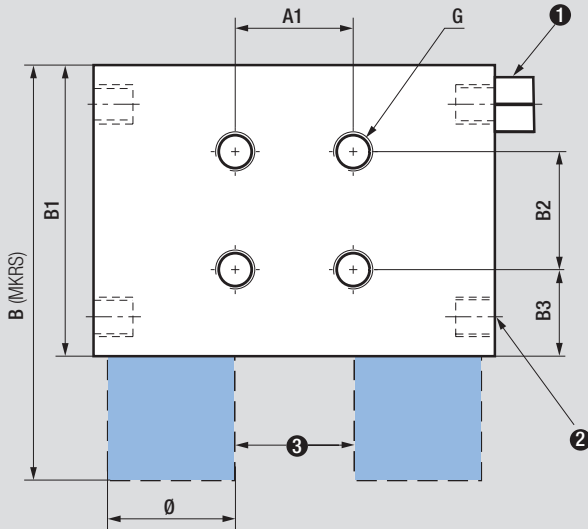
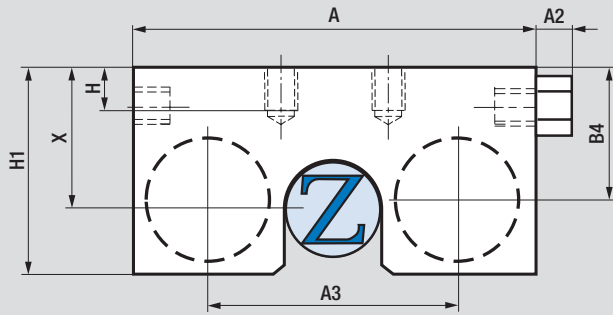
PLUS connection is not possible with the MKRS series.

Technical data for MKRS series:

Shaft size	12–60
Holding forces	350 N–1,700 N
Min. pressure	5.5 bar
Max. pressure	8 bar
Spring-loaded energy storage	√
PLUS connection	-
Clamping cycles	5 mil. (B10d-value)
Braking cycles	unsuitable

Additional application scenarios for MKRS:

- Clamping in case of pressure drop
- Clamping without energy requirement



Air connections are located on both sides and can be exchanged according to mounting requirements. Only one connection is necessary for function.

- ❶ MKR Series: Air filter
MKRS Series: M5 port (air connection)
- ❷ MKR Series: M5 port (air connection)
MKRS Series: Air filter
- ❸ The attachment spring unit on the MKRS is not applicable on the MKR.

Size [mm]	Item number	Holding power [N]		A [mm]	A1 [mm]	A2 [mm]	A3 [mm]	B [mm]	B1 [mm]	B2 [mm]	B3 [mm]	B4 [mm]	X [mm]	G	H [mm]	H1 [mm]	Ø [mm]
12	MKR/MKRS 1200 A	650	350	50	15	5	31	56	37	15	11	18	18	M5	6	27,5	16
16	MKR/MKRS 1600 A	650	400	55	15	5	35	58	39	15	12,5	22	22	M5	6	32	16
20	MKR/MKRS 2000 A	1000	600	66	45	5	43	60	38	18	13	25	25	M8	10	38	20
25	MKR/MKRS 2500 A	1200	750	77	60	5	51	63	43	20	15	30	30	M10	12	43	22
30	MKR/MKRS 3000 A	1750	1050	92	68	5	60	77,5	48,5	25	14	34	35	M10	13	48,5	25
40	MKR/MKRS 4000 A	2000	1700	120	90	5	78,8	82	49	26	14	45	45	M10	15	62	30
50	MKR/MKRS 5000 A	1850	1650	132	108	5	90,8	82	49	30	9,5	50	50	M10	15	67	30
60	MKR/MKRS 6000 A	1850	1650	142	108	5	100,8	82	49	30	9,5	50	50	M10	15	67	30

See page 10 for part number explanation