

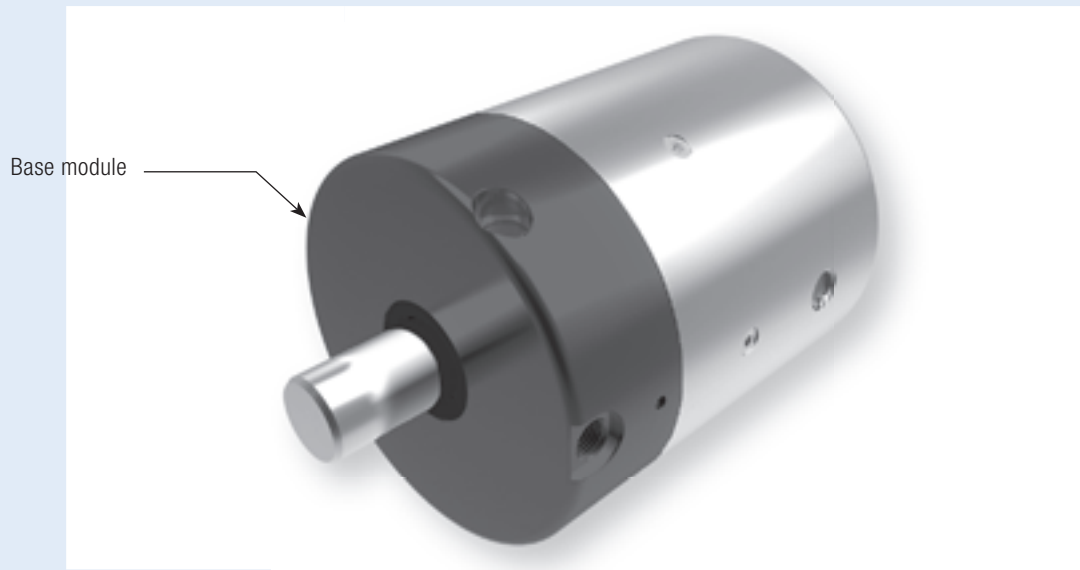
Active without pressure – incredible holding force

The pneumatic Clamping and Braking Element for piston rods **RBPS**.

The RBPS series is based on our proven wedge slide gear principle and is used for clamping and braking without pressure. This element was developed for deployment on round-shaft guides or piston rods with a surface hardness of min. HRC 54. The compact design is suitable for shaft diameters of Ø 10 to Ø 60 and allows holding forces of up to 60,000 N at a pneumatic opening pressure of just 4 bar.

As a specific feature no reset is needed for restarting. The RBPS series stands out for its short reaction times. Even in vertical deployment, short braking distance are achieved in less than 30 ms. Details on the length of the brake path to be expected can be obtained from our technical advisors. The computations are based on serial tests and our industrial experience.

RBPS Series



Technical data for RBPS series:

Shaft size [mm]	5-60
Holding forces	3,500 N-60,000 N
Minimum pressure	4 bar
Maximum pressure	8 bar
Spring-loaded energy storage	√
PLUS connection	-
Clamping cycles	5 mil. (B10d - value)
Braking cycles	2,000

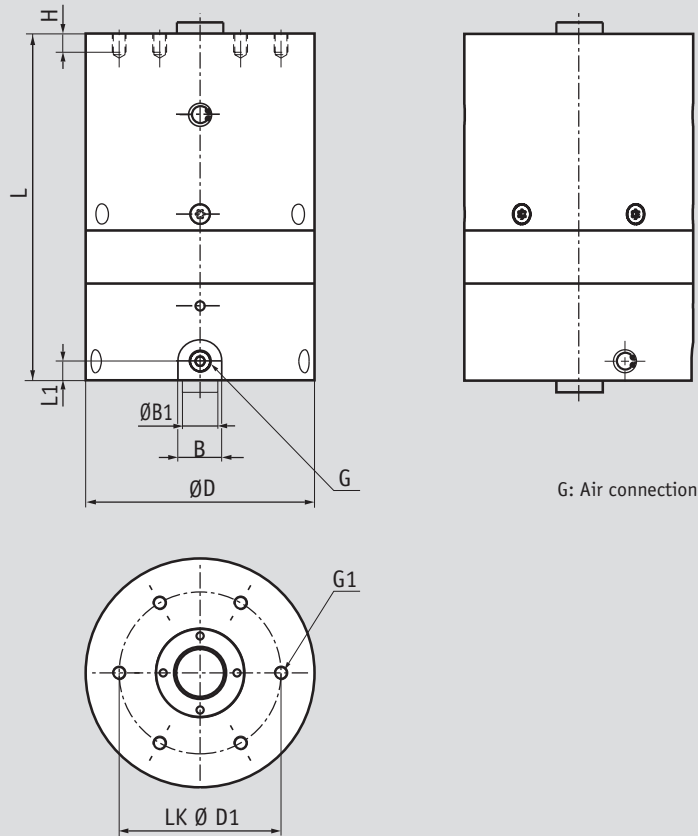
Application scenarios for RBPS:

- Positioning of axes
- Clamping and braking in case of pressure drop
- Fixing of vertical axes
- Positioning of lifting devices

Connection options for RBPS:

The air connection is located on the side.

A PLUS connection (see technical operation principles) is not possible.



G: Air connection

Size [mm]	Item Number	Holding power [N] RB	Ø D [mm]	LK Ø D1 [mm]	L [mm]	L1 [mm]	G	G1	H [mm]	B [mm]	Ø B1 [mm]
5	RBPS 0500	3500	49	30	68	5	M5	M5	6	11	5
6	RBPS 0600	3500	49	30	68	5	M5	M5	6	11	6
8	RBPS 0800	3500	49	30	68	5	M5	M5	6	11	8
10	RBPS 1000	3500	49	30	68	5	M5	M5	6	11	10
12	RBPS 1200	10000	98,5	70	150	8,4	G1/8"	M6	8	16,6	12
14	RBPS 1400	10000	98,5	70	150	8,4	G1/8"	M6	8	16,6	14
15	RBPS 1500	10000	98,5	70	150	8,4	G1/8"	M6	8	16,6	15
16	RBPS 1600	10000	98,5	70	150	8,4	G1/8"	M6	8	16,6	16
18	RBPS 1800	10000	98,5	70	150	8,4	G1/8"	M6	8	16,6	18
20	RBPS 2000	10000	98,5	70	150	8,4	G1/8"	M6	8	16,6	20
22	RBPS 2200	18000	135	90	165	9,25	G1/8"	M8	9	20	22
24	RBPS 2400	18000	135	90	165	9,25	G1/8"	M8	9	20	24
25	RBPS 2500	18000	135	90	165	9,25	G1/8"	M8	9	20	25
26	RBPS 2600	18000	135	90	165	9,25	G1/8"	M8	9	20	26
28	RBPS 2800	18000	135	90	165	9,25	G1/8"	M8	9	20	28
30	RBPS 3000	35000	170	100	220	11	G1/4"	M10	12	20	30
32	RBPS 3200	35000	170	100	220	11	G1/4"	M10	12	20	32
35	RBPS 3500	35000	170	100	220	11	G1/4"	M10	12	20	35
36	RBPS 3600	35000	170	100	220	11	G1/4"	M10	12	20	36
38	RBPS 3800	35000	170	100	220	11	G1/4"	M10	12	20	38
40	RBPS 4000	35000	170	100	220	11	G1/4"	M10	12	20	40
42	RBPS 4200	35000	170	100	220	11	G1/4"	M10	12	20	42
45	RBPS 4500	35000	170	100	220	11	G1/4"	M10	12	20	45
46	RBPS 4600	☉									
48	RBPS 4800	☉									
50	RBPS 5000	☉									
55	RBPS 5500	☉									
60	RBPS 6000	☉									

Highlighted sizes are standard products.

Further round-shaft sizes (also inch measurement) on request.