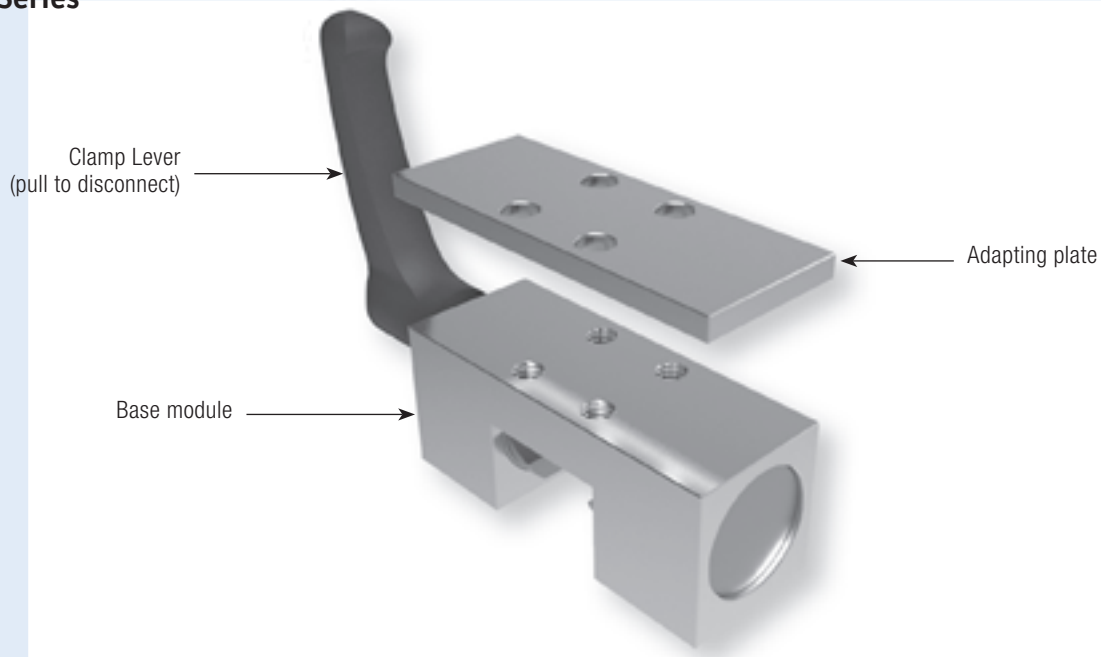


Simple and Reliable: The manual Clamping Element HK

The HK series is a manually operated clamping element. By rotating the freely adjustable clamp lever, the contact sections are pressed synchronously against the free surfaces of the section rail guide.

The floating contact sections guarantee symmetric power transmission.

HK Series



Technical data for HK series:

Rail size	12-100
Holding forces	1,200N-2,000N
Fastening torque	4 Nm-17 Nm
Spring-loaded energy storage	-
PLUS connection	-
Clamping cycles	50,000 (B10d - value)
Braking cycles	unsuitable

Application scenarios for HK:

- Table traverses and carriages
- Adjustment of width and stops
- Positioning of optic instruments and measuring tables

Accessories adapting plate for HK:

Depending on the height of the carriage (measure D), an additional adapting plate is required (see table from page 14).

Operation for HK:

Standard with hand lever. Other operation options available on request, e.g. a DIN 912 screw.

Type of rail	Size	Type of carriage	Item number	Adapting plate (for height compensation)	Measure D [mm] ^{*1}	Measure table (page 24 and 25)
SR, SSR	15	SR..W, SR..WM, SR..V, SR..VM, SR..TB, SR..TBM, SR..SB, SR..SBM, SSR..XW, SSR..XWM, SSR..XV, SSR..XVM, SSR..XTB	HK 1501 A		24	3
	20	SR..W, SR..WM, SR..V, SR..VM, SR..TB, SR..TBM, SR..SB, SR..SBM, SSR..XW, SSR..XWM, SSR..XV, SSR..XVM, SSR..XTB	HK 2001 A		28	8
	25	SR..W, SR..WM, SR..V, SR..VM, SR..TB, SR..TBM, SR..SB, SR..SBM, SSR..XW, SSR..XWM, SSR..XV, SSR..XVM, SSR..XTB	HK 2501 A		33	17
	30	SR..W, SR..WM, SR..V, SR..VM, SR..TB, SR..TBM, SR..SB, SR..SBM, SSR..XW, SSR..XWM	HK 3001 A		42	28
	35	SR..W, SR..WM, SR..V, SR..VM, SR..TB, SR..TBM, SR..SB, SR..SBM, SSR..XW	HK 3501 A	PMK 35-4	48	31
	45	SR..W, SR..TB	HK 4501 A		60	43
HSR	15	HSR..A, HSR..AM, HSR..B, HSR..BM, HSR..C HSR..R, HSR..RM, HSR..YR, HSR..YRM	HK 1501 A HK 1501 A	PHK 15-4	24 28	3
	20	HSR..A, HSR..AM, HSR..LA, HSR..LAM, HSR..B, HSR..M, HSR..LB, HSR..LBM, HSR..C, HSR..R, HSR..RM, HSR..R, HSR..LRM, HSR..YR, HSR..YRM, HSR..CA, HSR..CAM, HSR..HA, HSR..HAM, HSR..CB, HSR..CBM, HSR..HB, HSR..HBM	HK 2001 A		30	11
	25	HSR..A, HSR..AM, HSR..LA, HSR..LAM, HSR..B, HSR..BM, HSR..LB, HSR..LBM, HSR..C, HSR..CA, HSR..CAM, HSR..HA, HSR..HAM, HSR..CB, HSR..CBM, HSR..HB, HSR..HBM	HK 2501 A		36	21
		HSR..R, HSR..RM, HSR..LR, HSR..LRM, HSR..YR, HSR..YRM	HK 2501 A	PHK 25-4	40	
	30	HSR..A, HSR..AM, HSR..LA, HSR..LAM, HSR..B, HSR..BM, HSR..LB, HSR..LBM, HSR..C, HSR..CA, HSR..CAM, HSR..HA, HSR..HAM, HSR..CB, HSR..CBM, HSR..HB, HSR..HBM	HK 3001 A HK 3001 A		42	28
		HSR..R, HSR..RM, HSR..LR, HSR..LRM, HSR..YR, HSR..YRM	HK 3001 A	PHK 30-3	45	
	35	HSR..A, HSR..AM, HSR..LA, HSR..LAM, HSR..B, HSR..BM, HSR..LB, HSR..LBM, HSR..C, HSR..CA, HSR..CAM, HSR..HA, HSR..HAM, HSR..CB, HSR..CBM, HSR..HB, HSR..HBM	HK 3501 A HK 3501 A		48	35
		HSR..R, HSR..RM, HSR..LR, HSR..LRM, HSR..YR, HSR..YRM	HK 3501 A	PMK 35-7	55	
	45	HSR..A, HSR..LA, HSR..B, HSR..LB, HSR..CA, HSR..HA, HSR..CB, HSR..HB	HK 4501 A HK 4501 A		60	43
		HSR..R, HSR..LR, HSR..YR	HK 4501 A	PHK 45-10	70	
	55	HSR..A, HSR..LA, HSR..B, HSR..LB, HSR..CA, HSR..HA, HSR..CB, HSR..HB	HK 5501 A HK 5501 A		70	62
		HSR..R, HSR..LR, HSR..YR	HK 5501 A	PHK 55-10	80	
	65	HSR..A, HSR..LA, HSR..B, HSR..LB, HSR..CA, HSR..HA, HSR..CB, HSR..HB, HSR..R, HSR..LR, HSR..YR	HK 6501 A		90	53
	85	HSR..A, HSR..LA, HSR..B, HSR..LB, HSR..CA, HSR..HA, HSR..CB, HSR..HB, HSR..R, HSR..LR	Ⓢ		110	Ⓢ
GSR	15	GSR..T, GSR..V	HK 1501 G		20	58
	20	GSR..T, GSR..V	HK 2001 G		24	59
	25	GSR..T, GSR..V	HK 2501 G		30	60
	30	GSR..T	HK 3001 G		33	57
	35	GSR..T	HK 3501 G		38	61
HRW	17	HRW..CA, HRW..CAM, HRW..CR, HSR..CRM	HK 1701 B		17	39
	21	HRW..CA, HRW..CAM, HRW..CR, HSR..CRM	HK 2101 B		21	23
	27	HRW..CA, HRW..CAM, HRW..CR, HSR..CRM	HK 2701 B		27	24
	35	HRW..CA, HRW..CAM, HRW..CR, HSR..CRM	HK 3501 B		35	45
	50	HRW..CA, HRW..CR	HK 5001 B		50	50
	60	HRW..CA	Ⓢ		60	Ⓢ
SHW	17	SHW..CAM, SHW..CRM, SHW..HRM	HK 1701 B		17	39
	21	SHW..CAM, SHW..CRM	HK 2101 B		21	23
	27	SHW..CA, SHW..CR	HK 2701 B		27	24
	35	SHW..CA, SHW..CR	HK 3501 B		35	45
	50	SHW..CA, SHW..CR	HK 5001 B		50	50
SHS	15	SHS..C, SHS..LC, SHS..V, SHS..LV SHS..R	HK 1501 A HK 1501 A	PHK 15-2 PHK 15-6	24 28	1
		20	SHS..C, SHS..LC, SHS..V, SHS..LV	HK 2001 A	PHK 20-2	30
	25	SHS..C, SHS..LC, SHS..V, SHS..LV SHS..R, SHS..LR	HK 2501 A HK 2501 A	PHK 25-2 PHK 25-6	36 40	19
		30	SHS..C, SHS..LC, SHS..V, SHS..LV SHS..R, SHS..LR	HK 3001 A HK 3001 A		42
	35	SHS..C, SHS..LC, SHS..V, SHS..LV SHS..R, SHS..LR	HK 3501 A HK 3501 A	PHK 30-3 PMK 35-4	45 48	31
		45	SHS..C, SHS..LC, SHS..V, SHS..LV SHS..R, SHS..LR	HK 4501 A HK 4501 A	PMK 35-11	55
	55	SHS..C, SHS..LC, SHS..V, SHS..LV SHS..R, SHS..LR	HK 5501 A HK 5501 A	PHK 45-10 PHK 55-4	70 70	43
		65	SHS..C, SHS..LC, SHS..V, SHS..LV SHS..R, SHS..LR	HK 6501 A HK 6501 A	PHK 55-14	80
	90	SHS..C, SHS..LC, SHS..V, SHS..LV	HK 6501 A		90	53

*1 Supplements the measure table and datasheet

See page 10 for part number explanation

Type of rail	Size	Item number	[for height compensation]	Measure D [mm] ^{*1}	[page 24 and 25]	
SNR, SNS	25	SNR..R, SNR..LR, SNR..C, SNR..LC, SNS..R, SNS..LR, SNS..C, SNS..LC	HK 2501 N		31	13
	30	SNR..R, SNR..LR, SNR..C, SNR..LC, SNS..R, SNS..LR, SNS..C, SNS..LC	HK 3001 A		38	25
	35	SNR..R, SNR..LR, SNR..C, SNR..LC, SNS..R, SNS..LR, SNS..C, SNS..LC	HK 3501 A		44	31
		SNR..CH, SNR..LCH, SNS..CH, SNS..LCH		PMK 35-4	48	
		SNR..RH, SNR..LRH, SNS..RH, SNS..LRH		PMK 35-11	55	
	45	SNR..R, SNR..LR, SNR..C, SNR..LC, SNS..R, SNS..LR, SNS..C, SNS..LC	HK 4501 A		52	40
		SNR..CH, SNR..LCH, SNS..CH, SNS..LCH		PHK 45-8	60	
		SNR..RH, SNR..LRH, SNS..RH, SNS..LRH		PHK 45-18	70	
	55	SNR..R, SNR..LR, SNR..C, SNR..LC, SNS..R, SNS..LR, SNS..C, SNS..LC	HK 5501 A		63	46
		SNR..CH, SNR..LCH, SNS..CH, SNS..LCH		PHK 55-7	70	
SNR..RH, SNR..LRH, SNS..RH, SNS..LRH		PHK 55-17		80		
65	SNR..R, SNR..LR, SNR..C, SNR..LC, SNS..R, SNS..LR, SNS..C, SNS..LC	HK 6501 N		75	52	
85	SNR..LR, SNR..LC, SNS..LR, SNS..LC	Ⓢ		90	Ⓢ	
NR, NRS	25	NR..XR, NR..XLR, NR..XA, NR..XLA, NR..XB, NR..XLB, NRS..XR, NR S..XLR, NRS..XA, NRS..XLA, NRS..XB, NRS..XLB	HK 2501 N		31	13
	30	NR..R, NR..LR, NR..A, NR..LA, NR..B, NR..LB, NRS..R, NRS..LR, NRS..A, NRS..LA, NRS..B, NRS..LB	HK 3001 A		38	25
	35	NR..R, NR..LR, NR..A, NR..LA, NR..B, NR..LB, NRS..R, NRS..LR, NRS..A, NRS..LA, NRS..B, NRS..LB	HK 3501 A		44	31
	45	NR..R, NR..LR, NR..A, NR..LA, NR..B, NR..LB, NRS..R, NRS..LR, NRS..A, NRS..LA, NRS..B, NRS..LB	HK 4501 A		52	40
	55	NR..R, NR..LR, NR..A, NR..LA, NR..B, NR..LB, NRS..R, NRS..LR, NRS..A, NRS..LA, NRS..B, NRS..LB	HK 5501 A		63	46
	65	NR..R, NR..LR, NR..A, NR..LA, NR..B, NR..LB, NRS..R, NRS..LR, NRS..A, NRS..LA, NRS..B, NRS..LB	HK 6501 N		75	52
	85	NR..R, NR..LR, NR..A, NR..LA, NR..B, NR..LB, NRS..R, NRS..LR, NRS..A, NRS..LA, NRS..B, NRS..LB	Ⓢ		90	Ⓢ
	SRG	15	SRG..A, SRG..V	Ⓢ		24
20		SRG..A, SRG..LA, SRG..V, SRG..LV	Ⓢ		30	
25		SRG..C, SRG..LC	HK 2501 E		36	20
		SRG..R, SRG..LR	HK 2501 E	PHK 25-4	40	
30		SRG..C, SRG..LC	HK 3001 E		42	27
		SRG..R, SRG..LR	HK 3001 E	PHK 30-3	45	
35		SRG..C, SRG..LC	HK 3501 E		48	33
		SRG..R, SRG..LR	HK 3501 E	PMK 35-7	55	
45		SRG..C, SRG..LC	HK 4501 E		60	42
		SRG..R, SRG..LR	HK 4501 E	PHK 45-10	70	
55		SRG..C, SRG..LC	HK 5501 E		70	47
		SRG..R, SRG..LR	HK 5501 E	PHK 55-10	80	
65	SRG..LC, SRG..LV	HK 6501 E		90	51	
HCR	15	HCR 15A +60/150R	HK 1501/150		24	3
		HCR 15A +60/300R				
		HCR 15A +60/400R				
	25	HCR 25A +60/500R	HK 2501/1000		36	21
		HCR 25A +60/750R				
		HCR 25A +60/1000R				
	35	HCR 25A +60/1600R	HK 3501/1000		48	56
		HCR 35A +60/600R				
		HCR 35A +60/800R				
	45	HCR 35A +60/1000R	Ⓢ		60	Ⓢ
		HCR 35A +60/1200R				
		HCR 35A +60/1300R				
	65	HCR 45A +60/800R	Ⓢ		90	Ⓢ
		HCR 45A +60/1000R				
		HCR 45A +60/1200R				
	HCR 45A +60/1600R					
	HCR 65A +60/1000R					
	HCR 65A +60/1500R					
	HCR 65A +60/2000R					
	HCR 65A +45/2500R					



*1 Supplements the measure table and datasheet

See page 10 for part number explanation

Rail manufacturer
Rexroth
Bosch Group

Type of rail	Size	Type of carriage	Item number	Adapting plate (for height compensation)	Measure D [mm] ^{*1}	Measure table (page 24 and 25)
R1605, R1606, R1607, R1608, R1645, R1647, R2045, R2047	15	R1622, R1623, R1631, R1632, R1651, R1653, R1661, R1662, R1665, R1666, R2001, R2002, R2011, R2012, R2000, R2010	HK 1505 KR		24	2
		R1621	HK 1505 KR	PHK 15-4	28	
	20	R1622, R1623, R1631, R1632, R1651, R1653, R1661, R1662, R1665, R1666, R2001, R2002, R2011, R2012, R2000, R2010	HK 2005 KR		30	10
		R1621, R1624	HK 2005 KR	PHK 25-4	40	
	25	R1622, R1623, R1631, R1632, R1651, R1653, R1661, R1662, R1665, R1666, R2001, R2002, R2011, R2012, R2000, R2010	HK 2505 KR		36	20
		R1621, R1624	HK 2505 KR	PHK 25-4	40	
	30	R1622, R1623, R1631, R1632, R1651, R1653, R1661, R1662, R1665, R1666, R2001, R2002, R2011, R2012, R2000, R2010	HK 3005 KR		42	27
		R1621, R1624	HK 3005 KR	PHK 30-3	45	
	35	R1622, R1623, R1631, R1632, R1651, R1653, R1661, R1662, R1665, R1666, R2001, R2002, R2011, R2012, R2000, R2010	HK 3505 KR		48	33
		R1621, R1624	HK 3505 KR	PMK 35-7	55	
	45	R1622, R1623, R1651, R1653	HK 4505 KR		60	42
		R1621, R1624	HK 4505 KR	PHK 45-10	70	
	55	R1622, R1623, R1651, R1653	HK 5505 KR		70	47
		R1621, R1624	HK 5505 KR	PHK 55-10	80	
65	R1622, R1623, R1651, R1653	HK 6505 KR		90	51	
R1675, R1677	20	R1671, R1672	HK 2005 KB		27	49
	25	R1671, R1672	HK 2505 KB		35	38
	35	R1671	HK 3505 KB		50	50
R1805, R1807	25	R1851, R1853	HK 2505 KR		36	20
		R1821, R1824	HK 2505 KR	PHK 25-4	40	
	35	R1851, R1853	HK 3505 KR		48	33
		R1821, R1824	HK 3505 KR	PMK 35-7	55	
	45	R1851, R1853	HK 4505 KR		60	42
		R1821, R1824	HK 4505 KR	PHK 45-10	70	
	55	R1851, R1853	HK 5505 KR		70	47
		R1821, R1824	HK 5505 KR	PHK 55-10	80	
65	R1824, R1851, R1853	HK 6505 KR		90	51	

Rail manufacturer

SCHNEEBERGER

MRS	25	MRW..A, MRW..B	HK 2503 MR		36	20
		MRW..C, MRW..D, MRW..E	HK 2503 MR	PHK 25-4	40	
	35	MRW..A, MRW..B	HK 3503 MR		48	33
		MRW..C, MRW..D, MRW..E	HK 3503 MR	PMK 35-7	55	
	45	MRW..A, MRW..B	HK 4503 MR		60	42
		MRW..C, MRW..D	HK 4503 MR	PHK 45-10	70	
	55	MRW..A, MRW..B	HK 5503 MR		70	47
		MRW..C, MRW..D	HK 5503 MR	PHK 55-10	80	
	65	MRW..B, MRW..D	HK 6501 A		90	51
	100	MRW..B	⊗		120	⊗
BMS	15	BMW..A, BMW..F	HK 1503 BM		24	2
		BMW..C	HK 1503 BM	PHK 15-4	28	
	20	BMW..A, BMW..B, BMW..C, BMW..D,	HK 2003 BM		30	10
		BMW..A, BMW..B, BMW..F, BMW..G	HK 2503 BM		36	20
	25	BMW..C, BMW..D, BMW..E	HK 2503 BM	PHK 25-4	40	
		BMW..A, BMW..B, BMW..F, BMW..G	HK 3003 BM		42	27
	30	BMW..C, BMW..D, BMW..E	HK 3003 BM	PHK 30-3	45	
		BMW..A, BMW..B, BMW..F, BMW..G	HK 3503 BM		48	33
	35	BMW..C, BMW..D, BMW..E	HK 3503 BM	PMK 35-7	55	
		BMW..A, BMW..B	HK 4503 BM		60	42
	45	BMW..A, BMW..B	HK 4503 BM		60	42
		BMW..C, BMW..D	HK 4503 BM	PHK 45-10	70	

*1 Supplements the measure table and datasheet

See page 10 for part number explanation

Type of rail	Size		Item number	(for height compensation)	Measure D [mm] ^{*)}	(page 24 and 25)
LWH	12	LWHT, LWHT..SL	Ⓢ		19	Ⓢ
		LWHD..SL, LWHD, LWHD..SL, LWHDG..SL	Ⓢ		20	Ⓢ
	15	LWH..B, LWH..SL, LWH..M, LWHT..B, LWHT..SL, LWHT..M, LWHS..B, LWHS..SL, LWHS..M	HK 1501 A		24	3
		LWHD..B, LWHD..M, LWHY	HK 1501 A	PHK 15-4	28	
	20	LWH..B, LWH..SL, LWH..M, LWHG, LWHT..B, LWHT..SL, LWHT..M, LWHTG, LWHS..B, LWHS..SL, LWHS..M, LWHSG, LWHY	HK 2001 A		30	11
		LWHD..B, LWHD..M, LWHDG, LWHY	HK 2501 A	PHK 25-4	40	21
	25	LWH..B, LWH..SL, LWH..M, LWHG, LWHT..B, LWHT..SL, LWHT..M, LWHTG, LWHS..B, LWHS..SL, LWHS..M, LWHSG	HK 2501 A		36	21
		LWHD..B, LWHD..M, LWHDG, LWHY	HK 2501 A	PHK 25-4	40	
	30	LWH..B, LWH..SL, LWH..M, LWHG, LWHT..B, LWHT..SL, LWHT..M, LWHTG, LWHS..B, LWHS..SL, LWHS..M, LWHSG	HK 3001 A		42	28
		LWHD..B, LWHD..M, LWHDG, LWHY	HK 3001 A	PHK 30-3	45	
	35	LWH..B, LWH..M, LWHG, LWHT..B, LWHT..M, LWHTG	HK 3501 A		48	35
		LWHD..B, LWHD..M, LWHDG, LWHY	HK 3501 A	PMK 35-7	55	
	45	LWH..B, LWH..M, LWHG, LWHT..B, LWHT..M, LWHTG	HK 4501 A		60	43
		LWHD..B, LWHD..M, LWHDG, LWHY	HK 4501 A	PHK 45-10	70	
55	LWH..B, LWHG, LWHT..B, LWHTG	HK 5501 A		70	62	
	LWHD..B, LWHDG, LWHY	HK 5501 A	PHK 55-10	80		
65	LWH..B, LWHG, LWHT..B, LWHTG, LWHD..B, LWHDG, LWHY	HK 6501 A		90	53	
85	LWHG, LWHTG	Ⓢ		110	Ⓢ	
MH	12	MHT, MHT..SL	Ⓢ		19	Ⓢ
		MHDC..SL, MHD, MHD..SL, MHDG..SL	Ⓢ		20	Ⓢ
	15	MH, MHT, MHS	HK 1501 A		24	3
		MHD	HK 1501 A	PHK 15-4	28	
	20	MH, MHG, MHT, MHTG, MHS, MHS	HK 2001 A		30	11
		MH, MHG, MHT, MHTG, MHS, MHS	HK 2501 A		36	21
	25	MHD, MHDG	HK 2501 A	PHK 25-4	40	
		MH, MHG, MHT, MHTG, MHS, MHS	HK 3001 A		42	28
	30	MHD, MHDG	HK 3001 A	PHK 30-3	45	
		MH, MHG, MHT, MHTG	HK 3501 A		48	35
	35	MHD, MHDG	HK 3501 A	PMK 35-7	55	
		MH, MHG, MHT, MHTG	HK 4501 A		60	43
	45	MHD, MHDG	HK 4501 A	PHK 45-10	70	
		MH, MHG, MHT, MHTG	HK 4501 A		70	
LRX	12	LRXC, LRX, LRXG	Ⓢ		19	Ⓢ
		LRXDC, LRXDC..SL, LRXD, LRXD..SL, LRXDG, LRXDG..SL	Ⓢ		20	Ⓢ
	15	LRXC, LRX, LRXG, LRXSC, LRXS, LRXSG	HK 1510 B		24	5
		LRXDC, LRXDC..SL, LRXD, LRXD..SL, LRXDG, LRXDG..SL	HK 1510 B	PHK 15-4/01	28	
	20	LRXC, LRX, LRXG, LRXSC, LRXS, LRXSG	HK 2010 B		30	10
		LRXDC, LRXDC..SL, LRXD, LRXD..SL, LRXDG, LRXDG..SL	HK 2010 B	PHK 20-4	34	
	25	LRXC, LRX, LRXG, LRXSC, LRXS, LRXSG	HK 2514 A		36	63
		LRXDC, LRXDC..SL, LRXD, LRXD..SL, LRXDG, LRXDG..SL	HK 2501 A		40	22
	30	LRXC, LRX, LRXG, LRXSC, LRXS, LRXSG	HK 3001 A		42	28
		LRXDC, LRXDC..SL, LRXD, LRXD..SL, LRXDG, LRXDG..SL	HK 3001 A		45	29
	35	LRXC, LRX, LRXG	HK 3501 A		48	35
		LRXDC, LRXD, LRXDG	HK 3501 A	PMK 35-7	55	
	45	LRXC, LRX, LRXG	HK 4501 A		60	43
		LRXDC, LRXD, LRXDG	HK 4501 A	PHK 45-10	70	
55	LRXC, LRX, LRXG	HK 5501 A		70	62	
	LRXDC, LRXD, LRXDG	HK 5501 A	PHK 55-10	80		
65	LRXC, LRX, LRXG, LRXDC, LRXD, LRXDG	HK 6501 A		90	51	
85	LRX, LRXG	Ⓢ		110	Ⓢ	
100	LRXG	Ⓢ		120	Ⓢ	
MX	15	MXC, MX, MXG, MXSC, MXS, MXSG	HK 1510 B		24	5
		MXDC, MXD, MXDG	HK 1510 B	PHK 15-4/01	28	
	20	MXC, MX, MXG, MXL, MXSC, MXS, MXSG, MXSL	HK 2010 B		30	10
		MXDC, MXD, MXDG, MXDL	HK 2010 B	PHK 20-4	34	
	25	MXC, MX, MXG, MXL, MXSC, MXS, MXSG, MXSL	HK 2514 A		36	63
		MXDC, MXD, MXDG, MXDL	HK 2501 A		40	22
	30	MXC, MX, MXG, MXL, MXSC, MXS, MXSG, MXSL	HK 3001 A		42	28
		MXDC, MXD, MXDG, MXDL	HK 3001 A		45	29
	35	MXN, MXNG, MXNS, MXNSG	Ⓢ		44	Ⓢ
		MXC, MX, MXG, MXL	HK 3501 A		48	35
	45	MXN, MXNG, MXNS, MXNSG	Ⓢ		52	Ⓢ
		MXC, MX, MXG, MXL	HK 4501 A		60	43
	55	MXN, MXNG, MXNS, MXNSG	Ⓢ		63	Ⓢ
		MXC, MX, MXG	HK 5501 A		70	62
65	MXC, MX, MXG	HK 6510 R		90	44	



LRX: for rail use with cover sheet please contact us!
 *) Supplements the measure table and datasheet

See page 10 for part number explanation

Rail manufacturer
I KO

Type of rail	Size	Type of carriage	Item number	Adapting plate (for height compensation)	Measure D [mm] ^{*1}	Measure table (page 24 and 25)	
LWE	15	LWE..Q, LWET..Q, LWES..Q, LWEC, LWEC..SL, LWE, LWE..SL, LWEG, LWEG..SL, LWETC, LWETC..SL, LWET, LWET..SL, LWETG, LWETG..SL, LWESC, LWESC..SL, LWES, LWES..SL, LWESG, LWESG..SL	HK 1501 A		24	3	
	20	LWE..Q, LWET..Q, LWES..Q, LWEC, LWEC..SL, LWE, LWE..SL, LWEG, LWEG..SL, LWETC, LWETC..SL, LWET, LWET..SL, LWETG, LWETG..SL, LWESC, LWESC..SL, LWES, LWES..SL, LWESG, LWESG..SL	HK 2001 A		28	8	
	25	LWE..Q, LWET..Q, LWES..Q, LWEC, LWEC..SL, LWE, LWE..SL, LWEG, LWEG..SL, LWETC, LWETC..SL, LWET, LWET..SL, LWETG, LWETG..SL, LWESC, LWESC..SL, LWES, LWES..SL, LWESG, LWESG..SL	HK 2501 A		33	17	
	30	LWE..Q, LWET..Q, LWES..Q, LWEC, LWEC..SL, LWE, LWE..SL, LWEG, LWEG..SL, LWETC, LWETC..SL, LWET, LWET..SL, LWETG, LWETG..SL, LWESC, LWESC..SL, LWES, LWES..SL, LWESG, LWESG..SL	HK 3001 A		42	28	
	35	LWE..Q, LWET..Q, LWES..Q, LWEC, LWE, LWETC, LWET, LWESC, LWES	HK 3501 A		48	35	
	45	LWE, LWET, LWES	HK 4501 A		60	43	
ME	15	MEC, MEC..SL, ME, ME..SL, MEG, MEG..SL, METC, METC..SL, MET, MET..SL, METG, METG..SL, MESC, MESC..SL, MES, MES..SL, MESH, MESH..SL, MH, MHT, MHS	HK 1501 A		24	3	
		MHD	HK 1501 A	PHK 15-4	28		
	20	MEC, MEC..SL, ME, ME..SL, MEG, MEG..SL, METC, METC..SL, MET, MET..SL, METG, METG..SL, MESC, MESC..SL, MES, MES..SL, MESH, MESH..SL	HK 2001 A		28	8	
		MH, MHG, MHT, MHTG, MHS, MHS	HK 2001 A	PHK 20-2	30		
	25	MEC, MEC..SL, ME, ME..SL, MEG, MEG..SL, METC, METC..SL, MET, MET..SL, METG, METG..SL, MESC, MESC..SL, MES, MES..SL, MESH, MESH..SL	HK 2501 A		33	17	
		MH, MHG, MHT, MHTG, MHS, MHS	HK 2501 A	PHK 25-3	36		
	30	MHD, MHDG	HK 2501 A	PHK 25-7	40		
		MEC, MEC..SL, ME, ME..SL, MEG, MEG..SL, METC, METC..SL, MET, MET..SL, METG, METG..SL, MESC, MESC..SL, MES, MES..SL, MESH, MESH..SL, MH, MHG, MHT, MHTG, MHS, MHS	HK 3001 A		42	28	
	35	MHD, MHDG	HK 3001 A		45	29	
		MEC, ME, METC, MET, MESC, MES, MH, MHG, MHT, MHTG	HK 3501 A		48	35	
	45	MHD, MHDG	HK 3501 A	PMK 35-7	55		
		ME, MET, MES, MH, MHG, MHT, MHTG	HK 4501 A		60	43	
			MHD, MHDG	HK 4501 A	PHK 45-10	70	

Rail manufacturer



TKD (KUE)	15	KWE	HK 1501 A		24	3
		KWE..-H	HK 1501 A	PHK 15-4	28	
	20	KWE, KWE..-H	HK 2001 A		30	11
		KWE	HK 2501 A	PHK 25-4	36	15
	25	KWE..-H	HK 2501 A	PHK 25-8	40	
		KWE	HK 3001 A	PHK 30-4	42	25
	30	KWE..-H	HK 3001 A	PHK 30-7	45	
		KWE	HK 3501 A	PMK 35-8	48	30
35	KWE..-H	HK 3501 A	PMK 35-15	55		

*1 Supplements the measure table and datasheet

See page 10 for part number explanation

Type of rail	Size	Item number	(for height compensation)	Measure D [mm] *1	(page 24 and 25)		
TKVD (KUVE)	15	KWVE..-B, KWVE..-B-EC, KWVE..-B-ESC, KWVE..-B-S	HK 1502 K		24	3	
		KWVE..-B-H	HK 1502 K	PHK 15-4	28		
	20	KWVE..-B, KWVE..-B-L, KWVE..-B-S, KWVE..-B-SL, KWVE..-B-H	HK 2002 K		30	12	
		KWVE..-B-N, KWVE..-B-NL, KWVE..-B-SN, KWVE..-B-SNL	HK 2002 K		27	7	
		KWVE..-B-EC, KWVE..-B-ESC	HK 2002 K		28	9	
	25	KWVE..-B, KWVE..-B-L, KWVE..-B-S, KWVE..-B-SL, KWVE..-B-HS, KWVE..-B-S-HS	HK 2502 K	PHK 25-4	36	16	
		KWVE..-B-N, KWVE..-B-NL, KWVE..-B-SN, KWVE..-B-SNL, KWVE..-B-N-HS, KWVE..-B-SN-HS	HK 2502 K		31	14	
		KWVE..-B-EC, KWVE..-B-ESC	HK 2502 K		33	18	
		KWVE..-B-H, KWVE..-B-HL, KWVE..-B-H-HS	HK 2502 K	PHK 25-7	40		
	30	KWVE..-B, KWVE..-B-EC, KWVE..-B-L, KWVE..-B-ESC, KWVE..-B-S, KWVE..-B-SL	HK 3002 K		42	28	
		KWVE..-B-N, KWVE..-B-NL, KWVE..-B-SN, KWVE..-B-SNL	HK 3002 K		38	25	
		KWVE..-B-H, KWVE..-B-HL	HK 3002 K	PHK 30-3	45	28	
	35	KWVE..-B, KWVE..-B-EC, KWVE..-B-L, KWVE..-B-ESC, KWVE..-B-S, KWVE..-B-SL	HK 3502 K	PMK 35-4	48	31	
		KWVE..-B-N, KWVE..-B-NL, KWVE..-B-SN, KWVE..-B-SNL	HK 3502 K		44		
	45	KWVE..-B, KWVE..-B-EC, KWVE..-B-L, KWVE..-B-ESC, KWVE..-B-S, KWVE..-B-SL	HK 4502 K		55		
		KWVE..-B-N, KWVE..-B-NL, KWVE..-B-SN, KWVE..-B-SNL	HK 4502 K	PMK 35-11	60	41	
55	KWVE..-B, KWVE..-B-L, KWVE..-B-S, KWVE..-B-SL	HK 4502 K		52	64		
	KWVE..-B-H, KWVE..-B-HL	HK 4502 K	PHK 45-10	70	41		
TKSD (KUSE)	20	KWSE, KWSE..-L, KWSE..-H, KWSE..-HL	HK 2001 A		30	11	
		KWSE, KWSE..-L	HK 2501 A		36	21	
	25	KWSE..-H, KWSE..-HL	HK 2501 A	PHK 25-4	40		
		KWSE, KWSE..-L	HK 3001 A		42	28	
	30	KWSE..-H, KWSE..-HL	HK 3001 A	PHK 30-3	45		
		KWSE, KWSE..-L	HK 3501 A		48	35	
	45	KWSE, KWSE..-L	HK 4501 A		60	43	
		TKVD..W (KUVE..W)	15	KWVE..-W	HK 1502 KB		21
	20		KWVE..-W, KWVE..-WL	HK 2002 KB		27	24
	25		KWVE..-W, KWVE..-WL	HK 2502 KB		35	37
	30		KWVE..-W	HK 3002 KB		42	54
	35		KWVE..-WL	HK 3502 KB		50	50
	TSX..D (RUE)	25	RWU..-D-FE, RWU..-D-OE, RWU..-D-L-FE, RWU..-D-L-OE	HK 2502 R		36	21
			RWU..-D-H-FE, RWU..-D-H-OE, RWU..-D-HL-FE, RWU..-D-HL-OE	HK 2502 R	PHK 25-4	40	
			RWU..-E, RWU..-E-L	HK 3502 R		48	35
		35	RWU..-E-H, RWU..-E-HL	HK 3502 R	PMK 35-7	55	
RWU..-E, RWU..-E-L			HK 4502 R		60	43	
45		RWU..-E-H, RWU..-E-HL	HK 4502 R	PHK 45-10	70		
		RWU..-E, RWU..-E-L	HK 5502 R		70	47	
55		RWU..-E-H, RWU..-E-HL	HK 5502 R	PHK 55-10	80		
		RWU..-E, RWU..-E-L	HK 6501 A		90	51	
65		RWU..-E, RWU..-E-L	HK 6501 A	PHK 65-10	100		

Rail manufacturer



LH	15	LAH..EMZ, LAH..GMZ	HK 1501 A		24	3
		LAH..ANZ, LAH..BNZ	HK 1501 A	PHK 15-4	28	
	20	LAH..EMZ, LAH..GMZ, LAH..ANZ, LAH..BNZ	HK 2001 A		30	11
		LAH..EMZ, LAH..GMZ, LAH..ALZ, LAH..BLZ	HK 2501 A		36	21
	25	LAH..ANZ, LAH..BNZ	HK 2501 A	PHK 25-4	40	
		LAH..EMZ, LAH..GMZ, LAH..ALZ, LAH..BLZ	HK 3001 A		42	28
	30	LAH..ANZ, LAH..BNZ	HK 3001 A	PHK 30-3	45	
		LAH..EMZ, LAH..GMZ, LAH..ALZ, LAH..BLZ	HK 3501 A		48	35
	35	LAH..ANZ, LAH..BNZ	HK 3501 A	PMK 35-7	55	
		LAH..EMZ, LAH..GMZ	HK 4501 A		60	43
	45	LAH..ANZ, LAH..BNZ	HK 4501 A	PHK 45-10	70	
		LAH..EMZ, LAH..GMZ	HK 5501 A		70	62
	55	LAH..ANZ, LAH..BNZ	HK 5501 A	PHK 55-10	80	
		LAH..EMZ, LAH..GMZ, LAH..ANZ, LAH..BNZ	HK 6501 A		90	53

Rail manufacturer



*1 Supplements the measure table and datasheet

See page 10 for part number explanation

Rail manufacturer
NSK

Type of rail	Size	Type of carriage	Item number	Adapting plate (for height compensation)	Measure D [mm] *1	Measure table (page 24 and 25)
SH	15	SAH..EMZ, SAH..GMZ	HK 1501 A		24	3
		SAH..ANZ, SAH..BNZ	HK 1501 A	PHK 15-4	28	
	20	SAH..EMZ, SAH..GMZ, SAH..ANZ, SAH..BNZ	HK 2001 A		30	11
		SAH..EMZ, SAH..GMZ, SAH..ALZ, SAH..BLZ	HK 2501 A		36	21
	30	SAH..ANZ, SAH..BNZ	HK 2501 A	PHK 25-4	40	
		SAH..EMZ, SAH..GMZ, SAH..ALZ, SAH..BLZ	HK 3001 A		42	28
		SAH..ANZ, SAH..BNZ	HK 3001 A	PHK 30-3	45	
		SAH..EMZ, SAH..GMZ, SAH..ALZ, SAH..BLZ	HK 3501 A		48	35
35	SAH..ANZ, SAH..BNZ	HK 3501 A	PMK 35-7	55		
LS	15	LAS..JMZ, LAS..EMZ, LAS..CLZ, LAS..ALZ	HK 1501 A	PHK 15-2	24	1
	20	LAS..JMZ, LAS..EMZ, LAS..CLZ, LAS..ALZ	HK 2001 A		28	8
	25	LAS..JMZ, LAS..EMZ, LAS..CLZ, LAS..ALZ	HK 2501 A		33	17
	30	LAS..JMZ, LAS..EMZ, LAS..CLZ, LAS..ALZ	HK 3001 A	PHK 30-4	42	25
	35	LAS..JMZ, LAS..EMZ, LAS..CLZ, LAS..ALZ	HK 3501 A		48	35
SS	15	SAS..KLZ, SAS..EMZ, SAS..CLZ, SAS..ALZ	HK 1501 A	PHK 15-2	24	1
	20	SAS..KLZ, SAS..EMZ, SAS..CLZ, SAS..ALZ	HK 2001 A		28	8
	25	SAS..KLZ, SAS..EMZ, SAS..CLZ, SAS..ALZ	HK 2501 A		33	17
	30	SAS..KLZ, SAS..EMZ, SAS..CLZ, SAS..ALZ	HK 3001 A	PHK 30-4	42	25
	35	SAS..KLZ, SAS..EMZ, SAS..CLZ, SAS..ALZ	HK 3501 A		48	35
LW	17	LW..ELZ	HK 1701 B		17	39
	21	LW..ELZ	HK 2101 B		21	23
	27	LW..ELZ	HK 2701 B		27	24
	35	LW..ELZ	HK 3501 B		35	45
	50	LW..ELZ	HK 5001 B		50	50
RA	15	RA..AL, RA..BL, RA..EM, RA..GM	HK 1505 KR		24	2
		RA..AN, RA..BN	HK 1505 KR	PHK 15-4	28	
	20	RA..EM, RA..GM, RA..AN, RA..BN	⊗		30	⊗
		RA..AL, RA..BL, RA..EM, RA..GM	⊗		36	⊗
	25	RA..AN, RA..BN	HK 2501 A		40	22
		RA..AL, RA..BL, RA..EM, RA..GM	⊗		42	⊗
	30	RA..AN, RA..BN	⊗		45	⊗
		RA..AL, RA..BL, RA..EM, RA..GM	HK 3504 F		48	33
	35	RA..AN, RA..BN	HK 3504 F	PMK 35-7	55	
		RA..AL, RA..BL, RA..EM, RA..GM	HK 4504 F		60	42
	45	RA..AN, RA..BN	HK 4504 F	PHK 45-10	70	
		RA..AL, RA..BL, RA..EM, RA..GM	HK 5504 F		70	47
	55	RA..AN, RA..BN	HK 5504 F	PHK 55-10	80	
RA..EM, RA..GM, RA..AN, RA..BN		HK 6504 F		90	51	

Rail manufacturer
HIWIN
Lineartechnologie

HGR..R, HGR..T	15	HGW..CC, HGL..CA, QHW..CC	HK 1501 A		24	3
		HGH..CA, QHH..CA	HK 1501 A	PHK 15-4	28	
	20	HGW..CC, HGW..HC, HGH..CA, HGH..HA, QHW..CC, QHW..HC, QHH..CA, QHH..HA	HK 2001 A	PHK 20-1	30	55
		HGW..CC, HGW..HC, HGL..CA, HGL..HA, QHW..CC, QHW..HC	HK 2501 A		36	21
	25	HGH..CA, HGH..HA, QHH..CA, QHH..HA	HK 2501 A	PHK 25-4	40	
		HGW..CC, HGW..HC, HGL..CA, HGL..HA, QHW..CC, QHW..HC	HK 3001 A		42	28
	30	HGH..CA, HGH..HA, QHH..CA, QHH..HA	HK 3001 A	PHK 30-3	45	
		HGW..CC, HGW..HC, HGL..CA, HGL..HA, QHW..CC, QHW..HC	HK 3501 A	PMK 35-3	48	32
	35	HGH..CA, HGH..HA, QHH..CA, QHH..HA	HK 3501 A	PMK 35-10	55	
		HGW..CC, HGW..HC, HGL..CA, HGL..HA, QHW..CC, QHW..HC	HK 4501 A		60	43
	45	HGH..CA, HGH..HA, QHH..CA, QHH..HA	HK 4501 A	PHK 45-10	70	
		HGW..CC, HGW..HC, HGL..CA, HGL..HA, QHW..CC, QHW..HC	HK 5501 A		70	62
	55	HGH..CA, HGH..HA		PHK 55-10	80	
HGW..CC, HGW..HC, HGL..CA, HGL..HA, QHW..CC, QHW..HC		HK 6501 A		90	53	

*1 Supplements the measure table and datasheet

See page 10 for part number explanation

Type of rail	Size	Item number	[for height compensation]	Measure D [mm] ^{*1}	[page 24 and 25]	
EGR..R, EGR..U, EGR..T	15	EGH...SA, EGH...CA, EGW...SC, EGW...CC QEH..SA, QEH..CA, QEW..SC, QEW..CC	HK 1501 A	PHK 15-3	24	36
	20	EGH...SA, EGH...CA, EGW...SC, EGW...CC QEH..SA, QEH..CA, QEW..SC, QEW..CC	HK 2001 A		28	8
	25	EGH...SA, EGH...CA, EGW...SC, EGW...CC QEH..SA, QEH..CA, QEW..SC, QEW..CC	HK 2501 A	PHK 25-1	33	15
	30	EGH...SA, EGH...CA, EGW...SC, EGW...CC QEH..SA, QEH..CA, QEW..SC, QEW..CC	HK 3001 A	PHK 30-4	42	25
	35	EGH...SA, EGH...CA, EGW...SC, EGW...CC	☉		48	☉
RG..T	15	RGW..CC RGH..CA	☉		24	☉
	20	RGW..CC, RGW..HC RGH..CA, RGH..HA	☉		28	☉
		☉			30	☉
	25	RGW..CC, RGW..HC RGH..CA, RGH..HA	☉		34	☉
		HK 2503 MR			36	20
	30	RGW..CC, RGW..HC RGH..CA, RGH..HA	HK 2503 MR	PHK 25-4	40	
		HK 3001 A			42	28
	35	RGW..CC, RGW..HC RGH..CA, RGH..HA	HK 3001 A		45	29
		HK 3501 A			48	35
	45	RGW..CC, RGW..HC RGH..CA, RGH..HA	HK 3501 A	PMK 35-7	55	
		HK 4501 A			60	43
	55	RGW..CC, RGW..HC RGH..CA, RGH..HA	HK 4501 A	PHK 45-10	70	
HK 5501 A				70	62	
65	RGW..CC, RGW..HC, RGH..CA, RGH..HA	HK 5501 A	PHK 55-10	80		
	HK 6501 A			90	53	
WE	27	WEW..CC, WEH..CA	HK 2701 B		27	24
	35	WEW..CC, WEH..CA	HK 3501 B		35	45

Rail manufacturer
HIWIN
Lineartechnologie

MRR	15	MRS, MRT..W, MRT..SW	HK 1501 A		24	3
		MRS..W	HK 1501 A	PHK 15-4	28	
	20	MRT..W, MRT..SW	HK 2006 A		28	26
		MRS, MRS..L, MRS..W, MRS..LW	HK 2006 A	PHK 20-2	30	
	25	MRT, MRT..S, MRT..W, MRT..SW, MRT..LW	HK 2514 A		33	34
		MRS, MRS..L, MRZ..W	HK 2501 A		36	21
	30	MRS..W, MRS..LW	HK 2501 A	PHK 25-4	40	
		MRS, MRS..L, MRT..W, MRT..SW, MRT..LW	HK 3001 A		42	28
	35	MRS..W, MRS..LW	HK 3001 A	PHK 30-3	45	
		MRS, MRS..L, MRT..W, MRT..SW, MRT..LW	HK 3501 A		48	35
	45	MRS..W, MRS..LW	HK 3501 A	PMK 35-7	55	
		MRS, MRS..L, MRT..W, MRT..LW	HK 4501 A		60	43
	55	MRS..W, MRS..LW	HK 4501 A	PHK 45-10	70	
		MCT..W, MCT..LW	X		68	X
		MCS, MCS..L	HK 5501 A		70	62
			MCS..W, MCS..LW	HK 5501 A	PHK 55-10	80

Rail manufacturer
ROLLON

*1 Supplements the measure table and datasheet
X: not feasible

See page 10 for part number explanation

Rail manufacturer
NTN **SNR**

Type of rail	Size	Type of carriage	Item number	Adapting plate (for height compensation)	Measure D [mm] ^{*1}	Measure table
BG	15	BGCH..FN, BGCH..FL, BGCS..BS, BGCS..BN, BGCS..BL, BGXH..FN, BGXH..FL, BGXS..BS, BGXS..BN, BGXS..BL	HK 1501 A	PHK 15-2	24	1
		BGCH..BN, BGXH..BN	HK 1501 A	PHK 15-6	28	
	20	BGCS..BS, BGCS..BN, BGXS..BN, BGXS..BN	HK 2001 A		28	8
		BGCH..FN, BGCH..FL, BGCH..BN, BGCH..BL, BGCH..BE, BGXH..FN, BGXH..FL, BGXH..BN, BGXH..BL	HK 2001 A	PHK 20-2	30	
	25	BGCS..BS, BGCS..BN, BGXS..BS, BGXS..BN	HK 2501 A		33	17
		BGCH..FN, BGCH..FL, BGCH..FE, BGCH..BN, BGCH..BL, BGCH..BE, BGXH..FN, BGXH..FL, BGXH..FE, BGXS..BN, BGXS..BL, BGXS..BE	HK 2501 A	PHK 25-3	36	
		BGCH..BN, BGCH..BL, BGCH..BE, BGXH..BN, BGXH..BL, BGXH..BE	HK 2501 A	PHK 25-7	40	
	30	BGCH..FN, BGCH..FL, BGCH..FE, BGCS..BS, BGCS..BN, BGCS..BL, BGCS..BE, BGXH..FN, BGXH..FL, BGXH..FE, BGXS..BS, BGXS..BN, BGXS..BL, BGXS..BL	HK 3001 A		42	28
		BGCH..BN, BGCH..BL, BGCH..BE, BGXH..BN, BGXH..BL, BGXH..BE	HK 3001 A	PHK 30-3	45	
	35	BGCH..FN, BGCH..FL, BGCH..FE, BGCS..BS, BGCS..BN, BGCS..BL, BGCS..BE, BGXH..FN, BGXH..FL, BGXH..FE, BGXS..BS, BGXS..BN, BGXS..BL, BGXS..BE	HK 3501 A	PMK 35-4	48	31
		BGCH..BN, BGCH..BL, BGCH..BE, BGXH..BN, BGXH..BL, BGXH..BE	HK 3501 A	PMK 35-11	55	
	45	BGCH..FN, BGCH..FL, BGCH..FE, BGCS..BN, BGCS..BL, BGCS..BE, BGXH..FN, BGXH..FL, BGXH..FE, BGXS..BN, BGXS..BL, BGXS..BE	HK 4501 A	PHK 45-6	60	6
		BGCH..BN, BGCH..BL, BGCH..BE, BGXH..BN, BGXH..BL, BGXH..BE	HK 4501 A	PHK 45-16	70	
	55	BGCH..FN, BGCH..FL, BGCH..FE, BGCS..BN, BGCS..BL, BGCS..BE, BGXH..FN, BGXH..FL, BGXH..FE, BGXS..BN, BGXS..BL, BGXS..BE	HK 5501 A	PHK 55-4	70	65
		BGCH..BN, BGCH..BL, BGCH..BE, BGXH..BN, BGXH..BL, BGXH..BE	HK 5501 A	PHK 55-14	80	

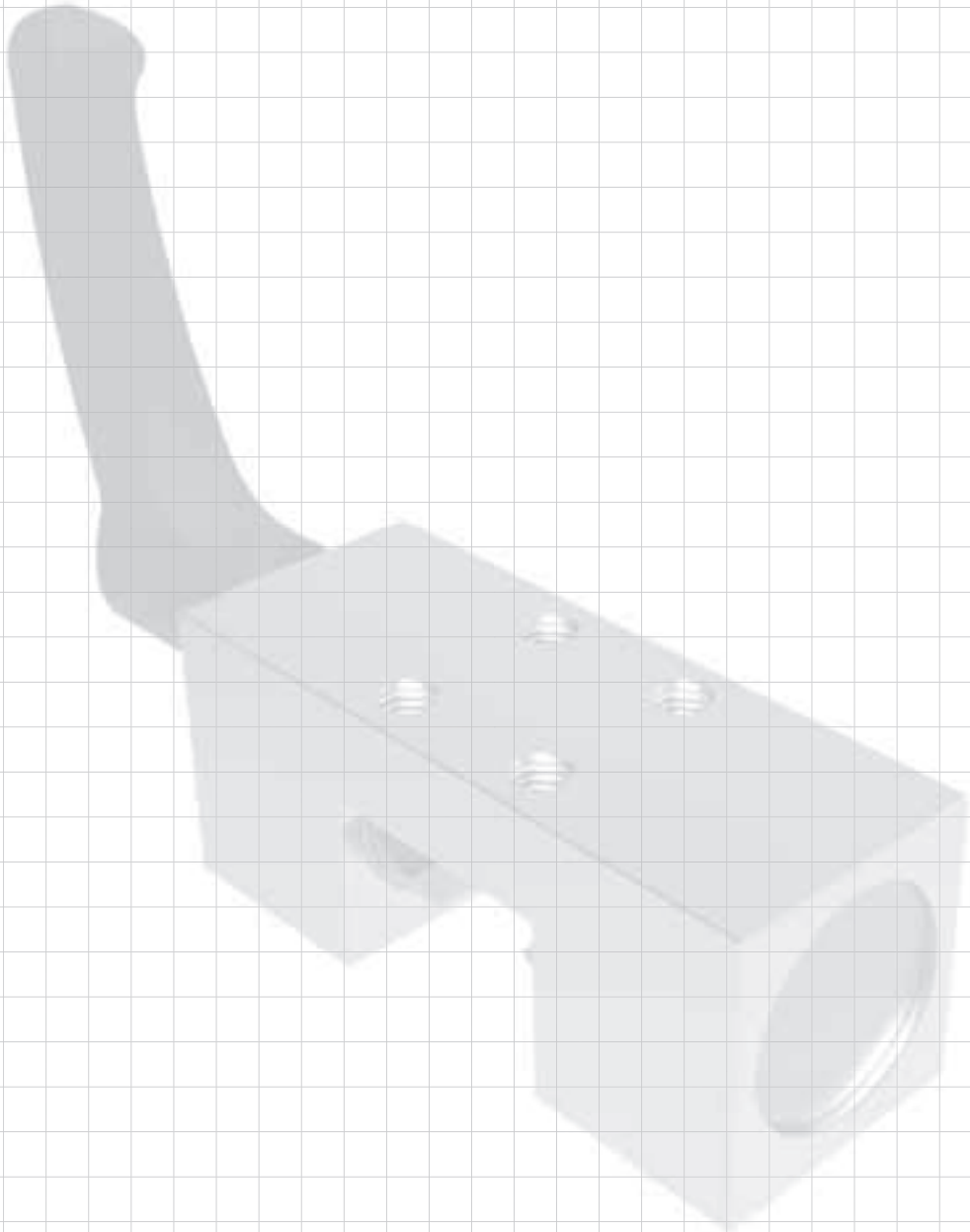
Rail manufacturer

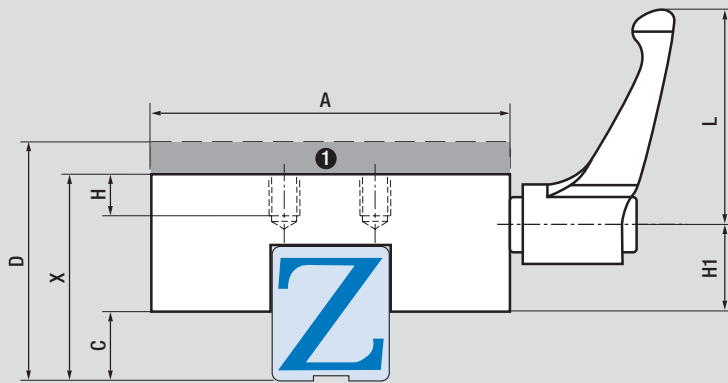


LLTHR, LLTHR..D4, LLTH..D6	15	LLTHC..SA, LLTHC..A, LLTHC..SU, LLTHC..U	HK 1501 A		24	3
		LLTHC..R	HK 1501 A	PHK 15-4	28	
	20	LLTHC..SA, LLTHC..A, LLTHC..LA, LLTHC..SU, LLTHC..U, LLTHC..LR	HK 2001 A		30	11
		LLTHC..R, LLTHC..LR	HK 2501 A		36	
	25	LLTHC..SA, LLTHC..A, LLTHC..LA, LLTHC..SU, LLTHC..U, LLTHC..LU	HK 2501 A		36	21
		LLTHC..R, LLTHC..LR	HK 2501 A	PHK 25-4	40	
	30	LLTHC..SA, LLTHC..A, LLTHC..LA, LLTHC..SU, LLTHC..U, LLTHC..LU	HK 3001 A		42	28
		LLTHC..R, LLTHC..LR	HK 3001 A	PHK 30-3	45	
	35	LLTHC..SA, LLTHC..A, LLTHC..LA, LLTHC..SU, LLTHC..U, LLTHC..LU	HK 3501 A		48	35
		LLTHC..R, LLTHC..LR	HK 3501 A	PMK 35-7	55	
	45	LLTHC..A, LLTHC..LA, LLTHC..U, LLTHC..LU	HK 4501 A		60	43
		LLTHC..R, LLTHC..LR	HK 4501 A	PHK 45-10	70	

*1 Supplements the measure table and datasheet

See page 10 for part number explanation

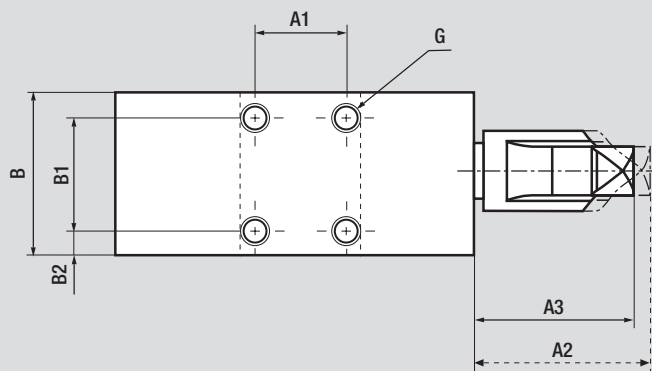




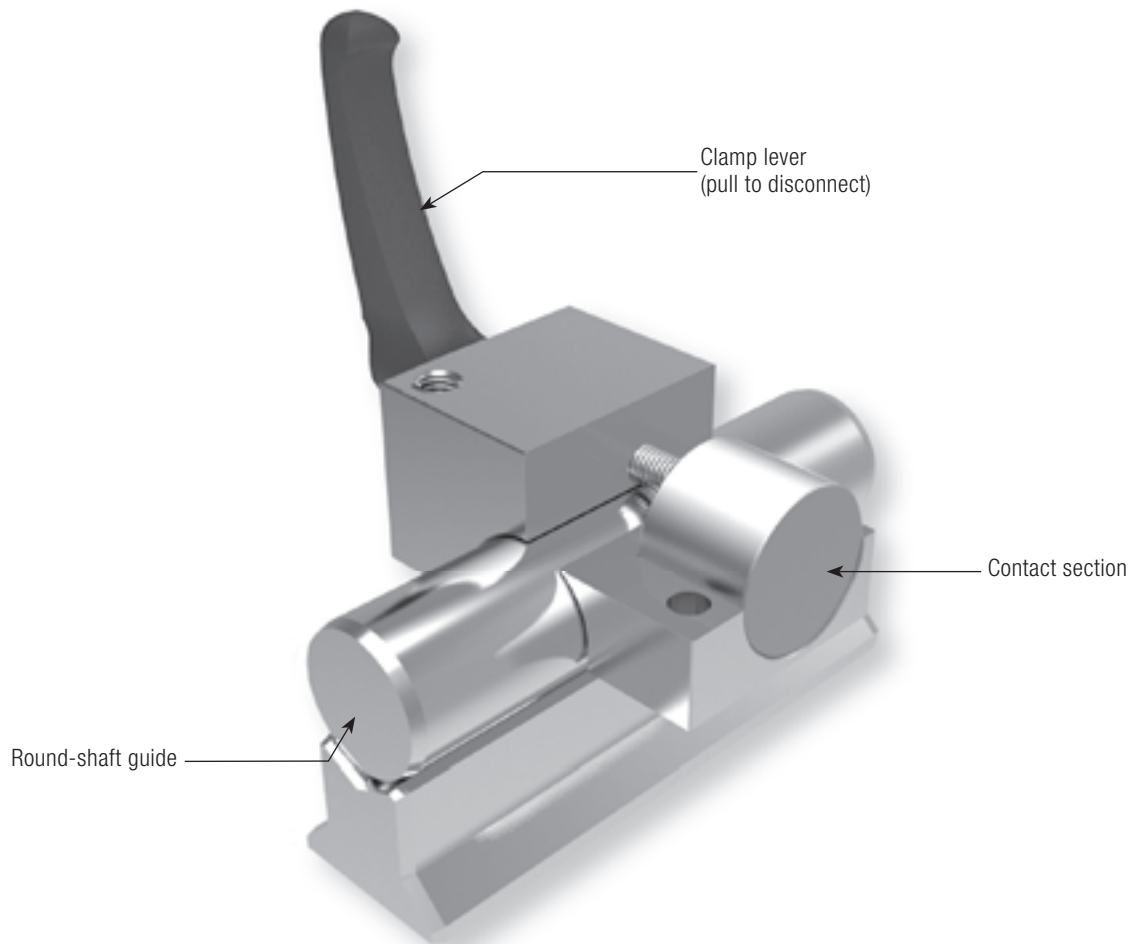
NOTE: Consider measurement C/Interfering contour

① Adapting plate (accessories)

X = measure of function to be complied
D = Linear guide installation measurement
(if necessary with adapting plate)



Measure table	Holding Power [N] HK Fastening torque [Nm]	A [mm]	A1 [mm]	A2 [mm]	A3 [mm]	B [mm]	B1 [mm]	B2 [mm]	C [mm]	X [mm]	G	L [mm]	H [mm]	H1 [mm]
1	1200/5	47	17	33,5	30,5	25	17	4	4,5	22	M4	44	5	12,5
2	1200/4	47	17	33,5	30,5	25	17	4	5	24	M4	44	5	14,3
3	1200/5	47	17	33,5	30,5	25	17	4	6,5	24	M4	44	5	12,5
4	1200/5	69	17	33,5	30,5	25	17	4	3,5	21	M4	44	5	12,5
5	1200/5	47	38	33,5	30,5	29	20	4,5	6,5	24	M5	44	6	13,4
6	2000/15	120	26	50,5	46,5	44	26	9	12	54	M10	78	14	26,5
7	1200/4	60	15	33,5	30,5	24	15	4,5	8	27	M5	44	5	12,5
8	1200/7	60	15	41,5	38,5	24	15	4,5	8	28	M5	63	6	13
9	1200/4	60	15	33,5	30,5	24	15	4,5	9	28	M5	44	6	12,5
10	1200/5	60	15	33,5	30,5	24	15	4,5	7	30	M5	44	6	17,5
11	1200/7	60	15	41,5	38,5	24	15	4,5	10	30	M5	63	6	13
12	1200/4	60	15	33,5	30,5	24	15	4,5	11	30	M5	44	5	12,5
13	1200/7	72	20	41,5	38,5	30	20	5	7	31	M6	63	7	15
14	1200/7	70	20	41,5	38,5	30	20	5	8	31	M6	63	6	15,5
15	1200/7	70	20	41,5	38,5	30	20	5	8	32	M6	63	8	15
16	1200/7	70	20	41,5	38,5	30	20	5	9	32	M6	63	6	15,5
17	1200/7	70	20	41,5	38,5	30	20	5	9	33	M6	63	8	15
18	1200/7	70	20	41,5	38,5	30	20	5	10	33	M6	63	6	15,5
19	1200/7	70	20	41,5	38,5	30	20	5	10	34	M6	63	8	15
20	1200/7	70	20	41,5	38,5	30	20	5	7	36	M6	63	7	22,3
21	1200/7	70	20	41,5	38,5	30	20	5	12	36	M6	63	7	15
22	1200/7	70	20	41,5	38,5	30	20	5	16	40	M6	63	8	15
23	1200/4	77	24	33,5	30,5	24	15	4,5	3	21	M5	44	6	12,5
24	1200/4	80	20	33,5	30,5	30	20	5	4	27	M6	44	6	17
25	2000/12	90	22	50,5	46,5	38	22	8,5	8	38	M6	78	8	21,5
26	1200/5	60	15	33,5	30,5	24	15	4,5	5	28	M5	44	6	17,5
27	2000/12	90	22	50,5	46,5	39	22	8,5	9	42	M6	78	8	25
28	2000/12	90	22	50,5	46,5	38	22	8,5	12	42	M6	78	8	21,5
29	2000/12	90	22	50,5	46,5	38	22	8,5	15	45	M6	78	8	21,5
30	2000/12	100	24	50,5	46,5	38	24	7,5	8	40	M8	78	10	21,5
31	2000/12	100	24	50,5	46,5	38	24	7,5	12	44	M8	78	10	21,5
32	2000/12	100	24	50,5	46,5	38	24	7,5	13	45	M8	78	10	21,5
33	2000/12	100	24	50,5	46,5	39	24	7,5	7	48	M8	78	10	31
34	1200/7	70	20	41,5	38,5	30	20	5	11,5	33	M6	63	8	15
35	2000/12	100	24	50,5	46,5	38	24	7,5	16	48	M8	78	10	21,5
36	1200/5	47	17	33,5	30,5	25	17	4	3,5	21	M4	44	5	12,5
37	1200/7	118	20	41,5	38,5	30	20	5	11	35	M6	63	8	13,5
38	1200/7	120	50	41,5	38,5	39	25	7	5	35	M6	63	11	23,2
39	1200/4	60	17	33,5	30,5	25	17	4	2,5	17	M4	44	5	10
40	2000/12	120	26	50,5	46,5	44	26	9	10	52	M10	78	14	26,5
41	2000/15	120	26	50,5	46,5	44	26	9	12	60	M10	78	12,5	35,7
42	2000/15	120	26	50,5	46,5	44	26	9	12	60	M10	78	14	35
43	2000/15	120	26	50,5	46,5	44	26	9	18	60	M10	78	14	26,5
44	2000/17	170	35	61,5	56,5	64	35	14,5	26	90	M16	95	20	38,5
45	2000/15	135	50	50,5	46,5	39	20	9,5	4	35	M8	78	10	20,5
46	2000/17	140	30	61,5	56,5	49	30	9,5	14	63	M14	95	16	31
47	2000/17	140	30	61,5	56,5	49	30	9,5	19	70	M14	95	14	37,5
48	2000/17	140	30	61,5	56,5	49	30	9,5	19	68	M14	95	16	31
49	1200/4	80	15	33,5	30,5	24	15	4,5	4	27	M5	44	10	18,8
50	2000/12	145	60	50,5	46,5	39	20	9,5	11	50	M8	78	11	26,9
51	2000/17	160	35	61,5	56,5	64	35	14,5	24	90	M16	95	20	45,5
52	2000/17	170	35	61,5	56,5	64	35	14,5	15	75	M16	95	21	36
53	2000/17	170	35	61,5	56,5	64	35	14,5	26	90	M16	95	24	36
54	2000/12	140	22	50,5	46,5	39	22	8,5	12	42	M6	78	8	20,5
55	1200/4	60	15	33,5	30,5	24	15	4,5	9	29	M5	44	6	12,5
56	2000/12	100	24	50,5	46,5	39	24	7,5	16	48	M8	78	10	21,5
57	2000/12	57	18	50,5	46,5	29	18	5,5	12	33	M6	78	8	13
58	1200/4	32	17	33,5	30,5	25	17	4	7	20	M4	44	5	7,8
59	1200/5	43	15	33,5	30,5	24	15	4,5	8,5	24	M5	44	6	8,8
60	1200/7	47	20	41,5	38,5	30	20	5	11	30	M6	63	7	9,5
61	2000/12	68	24	50,5	46,5	39	24	7,5	14	38	M8	78	10	15
62	2000/17	140	30	61,5	56,5	49	30	9,5	21	70	M14	95	16	31
63	1200/7	70	20	41,5	38,5	30	20	5	14,5	36	M6	63	8	15
64	2000/12	120	26	50,5	46,5	44	26	9	4	52	M10	78	12,5	35,7
65	2000/17	140	30	61,5	56,5	49	30	9,5	17	66	M14	95	16	31



Efficient manual clamping elements for round-shaft guides **HKR**.

The HKR series is a manually operated clamping element for round-shaft guides. By rotating the freely adjustable clamp lever, the contact sections are pressed synchronously against the free surfaces of the round-shaft guide.

The floating contact sections guarantee symmetric power transmission.