



VISOLIFT VA

VISOLIFT VS

Lifter type	Unit	Visolift asymetrical VA260L700587HHH24	Visolift symetrical VS260L460375HHAAD
Article number			
Push force max.	N	2200	1500
Pull force max. **	N	1100	750
Max. lengthwise load statical	Nm	1200	1200
Max. lengthwise load dyn.	Nm	500	500
Max. lateral load statical	Nm	450	450
Max. lateral load dynamical	Nm	225	225
Speed (without load)	mm/s	12	15
Lifter version		3-stage	3-stage
Max. stroke (custom made)**	mm	1000	700
Retracted length (Standard)	mm	587	375
Stroke (Standard)	mm	700	460
Length/Stroke calculation	mm	Length=stroke/2+237	Length=stroke/2+237
Fixing points inner profile ***		4 x M8	4 x M8
Fixing points outer profile***		4 x M8	4 x M8
Voltage	V/DC	24	24
Max. power input	W	144	144
Max. power consumption	A	6	6
Cable	mm	1600	1600
Plug	Type	Molex Mini Fit Jr.	Molex Mini Fit Jr.
Cycle duty (S3)	min	1 / 9 (10 %)	1 / 9 (10 %)
Environment temperature	°C	+10 to +40	+10 to +40
Protection rate*	IP	up to 54	up to 54
Isolation class		III	III
Weight	kg	18,5	18
Pulse travel length (2-Hall)	mm/Signal	0,2268	0,1568
Integrated end switches		Yes	Yes

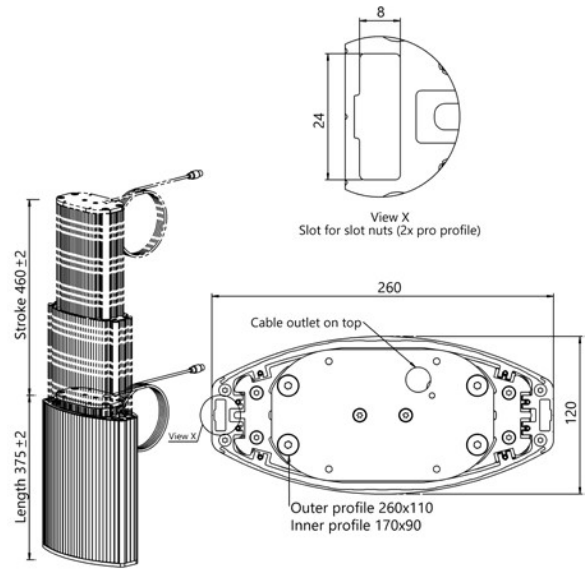
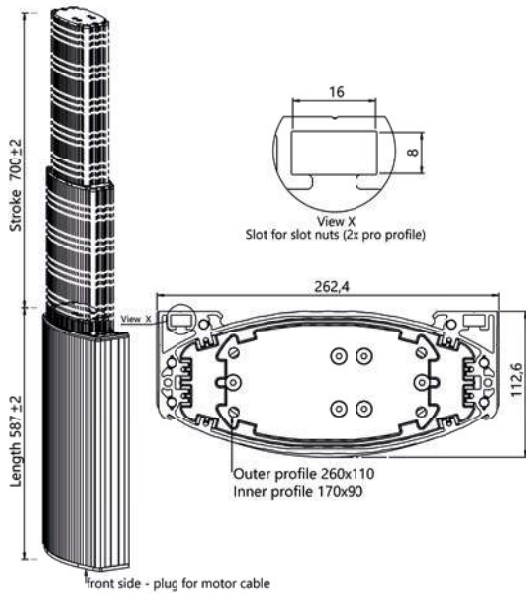
Stroke tolerance (+/- 2mm) and operating speed depending on load and voltage

*Depends on installation position

**Other retracted length/stroke/pull application on demand

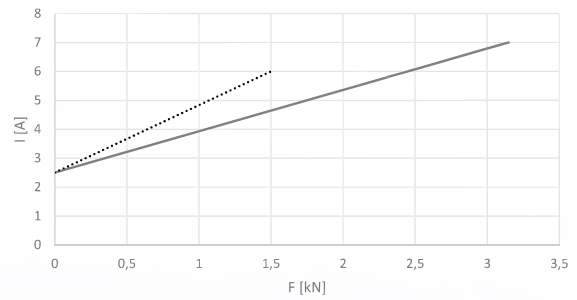
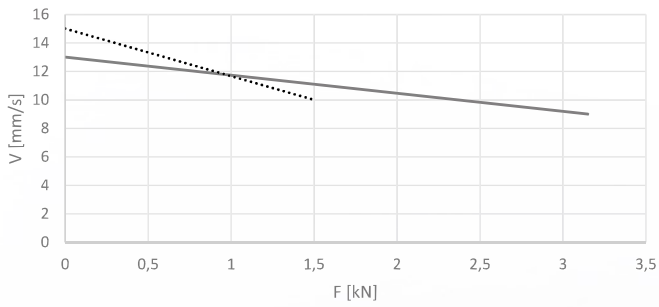
*** Screws self cutting/forming according to DIN 7500, thread depth min. L= 2,5 x D

Controllers and add-on components see accessoires



VISOLIFT VA

VISOLIFT VS



— VISOLIFT asymmetrisch VISOLIFT symmetrisch