

LIFTERS T 165 AP



T 165 AP

| Lifter type | Unit | T 165 |
|---------------------------------|-----------|--------------------|
| Article number | | T165I495640BBB24 |
| Push force max. | N | 800 |
| Pull force max. ** | N | 400 |
| Max. lengthwise load statical | Nm | 200 |
| Max. lengthwise load dynamical | Nm | 100 |
| Max. lateral load statical | Nm | 200 |
| Max. lateral load dynamical | Nm | 100 |
| Speed (without load) | mm/s | 25 |
| Lifter version | | 2-stage |
| Max. stroke (custom made)** | mm | 700 |
| Retracted length (Standard) | mm | 640 |
| Stroke (Standard) | mm | 495 |
| Length/Stroke calculation | mm | Length= stroke+145 |
| Fixing points inner profile *** | | 4 x M8 |
| Fixing points outer profile*** | | 4 x M8 |
| Voltage | V/DC | 24 |
| Max. power input | W | 144 |
| Max. power consumption | A | 6 |
| Cable | mm | 1200 |
| Plug | Type | 8-pin MAS 80S |
| Cycle duty (S3) | min | 1 / 9 (10 %) |
| Environment temperature | °C | +10 to +40 |
| Protection rate* | IP | up to 54 |
| Isolation class | | III |
| Weight | kg | 5,6 |
| Pulse travel length (2-Hall) | mm/signal | 0,319 |
| Integrated end switches | | Yes |

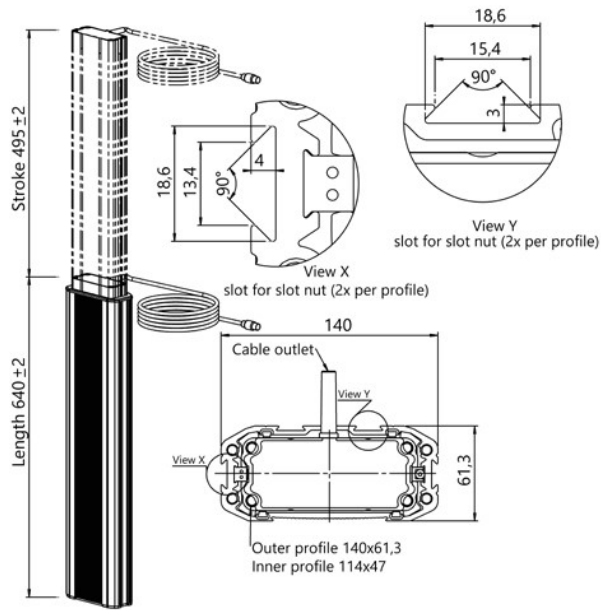
Stroke tolerance (+/- 2mm) and operating speed depending on load and voltage

*Depends on installation position

**Other retracted length/stroke/pull application on demand

*** Screws self cutting/forming according to DIN 7500, thread depth min. L= 2,5 x D

Controllers and add-on components see accessoires



T 165 AP

