



I 140 ST

Linear Guide Lifter Article number	Unit	I 140 ST, Spindle 12x3 IS140MYYYZZZZDDD24	I 140 ST, Spindle 12x6 IS140FYYZZZZDDD24	I 140 ST, Spindle 12x12 IS140IYYZZZZDDD24
Push force max.	N	1800	800	300
Pull force max. **	N	900	400	150
Max. side load statical	Nm	200	200	200
Max. side load dynamical	Nm	150	150	150
Speed (without load)	mm/s	10	25	40
Length/stroke max.	mm	2000/1740	2000/1740	2000/1740
Slider length**	mm	175**	175**	175**
Length/Stroke calculation	mm	Length=stroke+260	Length=stroke+260	Length=stroke+260
Fixing points***		4 x M6	4 x M6	4 x M6
Voltage	V/DC	24	24	24
Max. power input	W	144	144	144
Max. power consumption	A	6	6	6
Cable	mm	2200	2200	2200
Plug	Type	8-pin MAS 80S	8-pin MAS 80S	8-pin MAS 80S
Cycle duty (S3)	min	1 / 9 (10 %)	1 / 9 (10 %)	1 / 9 (10 %)
Environment temperature	°C	+10 to +40	+10 to +40	+10 to +40
Protection rate*	IP	up to 42	up to 42	up to 42
Isolation class		III	III	III
Weight	kg		Length 1000mm approx. 9,5	
Pulse travel length (2-Hall)	mm/signal	0,1949	0,383	0,766
Integrated end switches		Yes	Yes	Yes

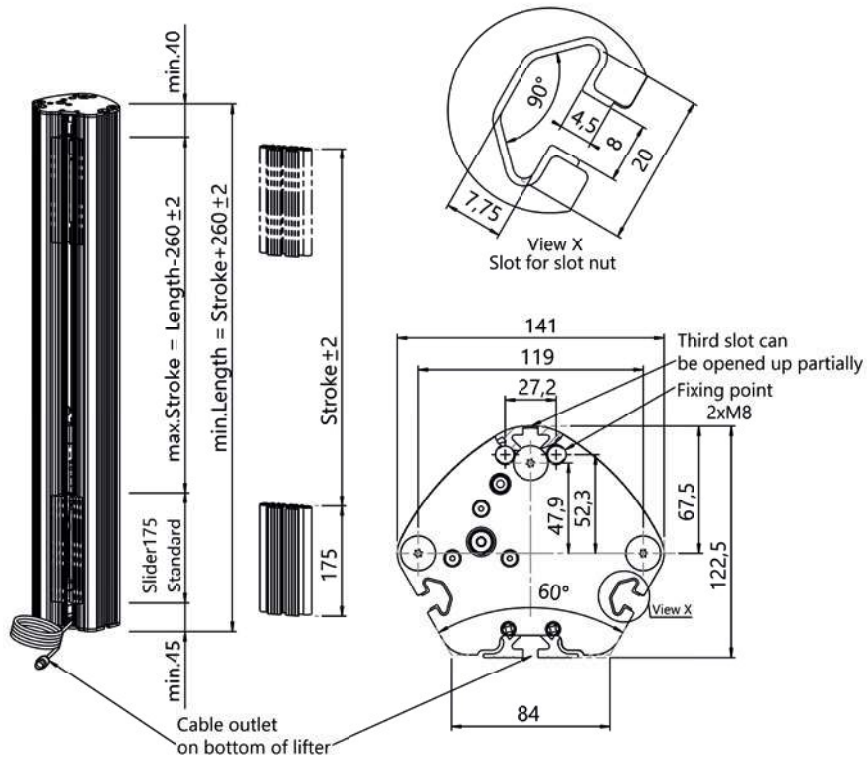
Stroke tolerance (+/- 2mm) and operating speed depending on load and voltage

*Depends on installation position

**Other length on demand

*** Screws self cutting/forming according to DIN 7500, thread depth min. L= 2,5 x D

Controllers and add-on components see accessoires



I 140 ST

