

LINEAR GUIDE LIFTER I 67 Koax



I 67 Koax

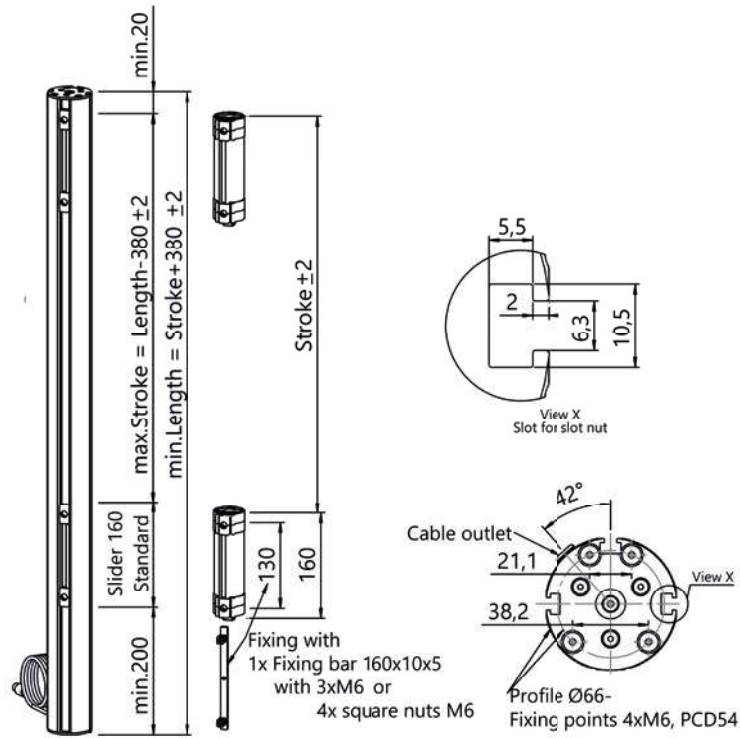
Linear Guide Lifter Article number	Unit	I 67 Koax, Spindle 12x3 IK67 MYYYYZZZAAA24	I 67 Koax, Spindle 12x6 IK67 FYYYYZZZAAA24	I 67 Koax, Spindle 12x12 IK67 IYYYYZZZAAA24	I 67 Koax, Spindle 12x16 IK67 JYYYYZZZAAA24	I 67 Koax, Spindle 12x30 IK67 OYYYYZZZAAA24
Push force max.	N	1000	800	600	400	400
Pull force max. **	N	500	400	300	200	200
Integr. brake in push direction		No/self-locking	Yes	Yes	Yes	Yes
Max. side load statical	Nm	150	150	150	150	150
Max. side load dynamical	Nm	100	100	100	100	100
Speed (without load)	mm/s	8	15	25	35	70
Length/stroke max.	mm	2000/1620	2000/1620	2000/1620	2000/1620	2000/1610
Slider length**	mm	160	160	160	160	160
Length/Stroke calculation	mm	Length=stroke+380	Length=stroke+380	Length=stroke+380	Length=stroke+380	Length=stroke+380
Fixing points***		4 x M6	4 x M6	4 x M6	4 x M6	4 x M6
Voltage	V/DC	24	24	24	24	24
Max. power input	W	144	144	144	144	144
Max. power consumption	A	6	6	6	6	6
Cable	mm	2300	2300	2300	2300	2300
Plug	Type	8-pin MAS 80S	8-pin MAS 80S	8-pin MAS 80S	8-pin MAS 80S	8-pin MAS 80S
Cycle duty (S3)	min	1 / 9 (10 %)	1 / 9 (10 %)	1 / 9 (10 %)	1 / 9 (10 %)	1 / 9 (10 %)
Environment temperature	°C	+10 to +40	+10 to +40	+10 to +40	+10 to +40	+10 to +40
Protection rate*	IP	up to 54	up to 54	up to 54	up to 54	up to 54
Isolation class		III	III	III	III	III
Weight	kg	Length1000mm approx. 4,5kg				
Pulse travel length (2-Hall)	mm/signal	0,0875	0,1714	0,3429	0,4571	0,8571
Integrated end switches		Yes	Yes	Yes	Yes	Yes

Stroke tolerance (+/- 2mm) and operating speed depending on load and voltage

*Depends on installation position

**Other length on demand

*** Screws self cutting/forming according to DIN 7500, thread depth min. L= 2,5 x D
 Controllers and add-on components see accessoires



I 67 Koax

