

Știft cu bile pentru filet • autoblocant

22355.0503



Descrierea produsului

Threaded lock pins are used for quick fastening, locking, adjusting, changing and securing. Quickly and easily unlockable for frequently repeated connections. By pressing the button, the threaded segments unlock and the threaded lock pin can be inserted into or removed from a threaded hole. A time-consuming screwing in and out is unnecessary. The threaded lock pin is characterised by the following features:

- corrosion-protected
- no time-consuming screwing in and out
- self-locking due to spring load

Material

Element bolt

- Oțel de scule, fosfatat cu mangan

Mâner

- Thermoplastic PA 6, black, dull similar to RAL 9005

Buton de apasare

- Aluminiu, portocaliu, anodizat

Element cu filet

- Oțel inoxidabil 1.4542, călit prin precipitare

Arc

- oțel inoxidabil

Asamblare

Threaded lock pins can only be mounted into a thread that is true to gauge.

Mounting:

1. Press button
2. Insert the threaded lock pin into the threaded hole
3. Release button

Dismantling:

1. Unscrew the threaded lock pin approx. a quarter of a turn anticlockwise
2. Press button
3. Remove the threaded lock pin from the threaded hole

Operații

The threaded segments are unlocked by pressing the button.

Mai multe informații

Note

Variantă specială la cerere.

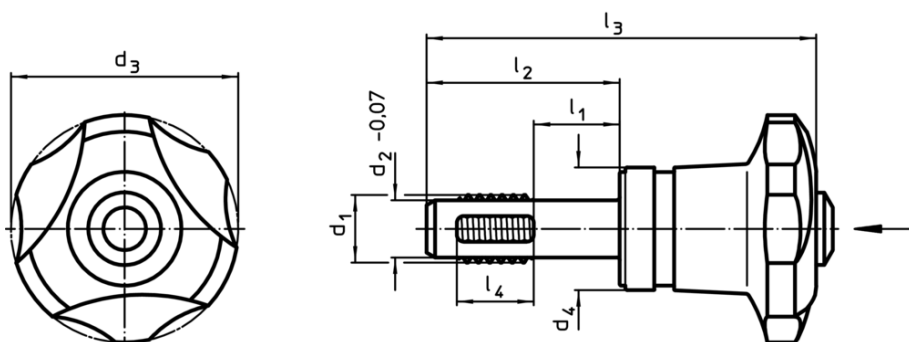
Accesorii

Can easily be fitted with retaining cable EH 22355.

Produse asociate

- Cabluri de fixare, pentru știfturi cu bile pentru filet

Desen



Informații comandă

d ₁	l ₁	Dimensiuni				l ₂	l ₃	l ₄	Filet de poziționare	Temperatură		Moment strângere max.	Masa	Rezistența la forfecare, dublă ¹⁾ min.	Ref. Nr.
		d ₂	d ₃	d ₄	[mm]					min.	max.				
M16	15	13,8	40	21,6	34	68,6	12	M16	-30	80	5	70	62,9	22355.0503	

¹⁾ Rezistență la forfecare similară DIN 50141

Exemplu de aplicație

