

## Știft cu bile pentru filet • autoblocant

22355.0506



### Descrierea produsului

Threaded lock pins are used for quick fastening, locking, adjusting, changing and securing. Quickly and easily unlockable for frequently repeated connections. By pressing the button, the threaded segments unlock and the threaded lock pin can be inserted into or removed from a threaded hole. A time-consuming screwing in and out is unnecessary. The threaded lock pin is characterised by the following features:

- corrosion-protected
- no time-consuming screwing in and out
- self-locking due to spring load

### Material

#### Element bolt

- Oțel de scule, fosfatat cu mangan

#### Mâner

- Thermoplastic PA 6, black, dull similar to RAL 9005

#### Buton de apasare

- AluminIU, portocaliu, anodizat

#### Element cu filet

- Oțel inoxidabil 1.4542, călit prin precipitare

#### Arc

- oțel inoxidabil

### Asamblare

Threaded lock pins can only be mounted into a thread that is true to gauge.

#### Mounting:

1. Press button
2. Insert the threaded lock pin into the threaded hole
3. Release button

#### Dismantling:

1. Unscrew the threaded lock pin approx. a quarter of a turn anticlockwise
2. Press button
3. Remove the threaded lock pin from the threaded hole

### Operații

The threaded segments are unlocked by pressing the button.

### Mai multe informații

#### Note

Variantă specială la cerere.

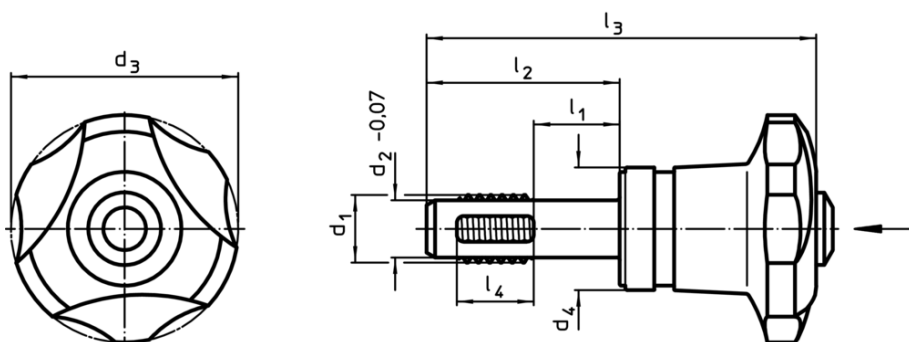
#### Accesorii

Can easily be fitted with retaining cable EH 22355.

#### Produse asociate

- Cabluri de fixare, pentru știfturi cu bile pentru filet

### Desen



### Informații comandă

| Dimensiuni            |                |                         |                      |                |                |                |                | Filet de<br>poziționare | Temperatură |      | Moment strângere<br>max. | Masa<br>[g] | Rezistența la<br>forfecare, dublă <sup>1)</sup><br>min. | Ref. Nr.   |
|-----------------------|----------------|-------------------------|----------------------|----------------|----------------|----------------|----------------|-------------------------|-------------|------|--------------------------|-------------|---|------------|
| d <sub>1</sub>        | l <sub>1</sub> | d <sub>2</sub><br>-0,07 | d <sub>3</sub><br>-1 | d <sub>4</sub> | l <sub>2</sub> | l <sub>3</sub> | l <sub>4</sub> |                         | min.        | max. |                          |             |   |            |
| [mm]                  |                |                         |                      |                |                |                |                | [mm]                    | [°C]        |      | [Nm]                     | [g]         | [kN]  |            |
| <b>Oțel de tăiere</b> |                |                         |                      |                |                |                |                |                         |             |      |                          |             |   |            |
| M16                   | 30             | 13,8                    | 40                   | 21,6           | 49             | 83,6           | 12             | M16                     | -30         | 80   | 5                        | 87          | 62,9  | 22355.0506 |

<sup>1)</sup> Rezistență la forfecare similară DIN 50141

### Exemplu de aplicație

