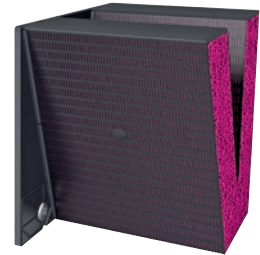
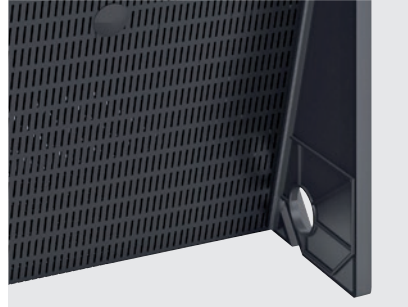
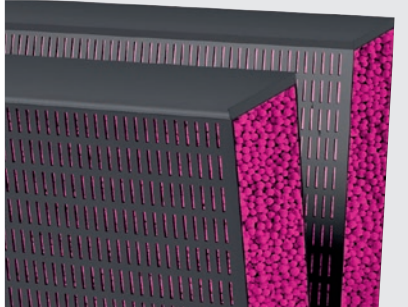


# VILEDON CHEMCONTROL MODULES



## GAS PHASE FILTRATION



### Applications

Viledon® ChemControl Modules are the rugged plastic housings that contain our chemical filtration pellets. They come in a range of four sizes to suit all applications and are designed for easy handling and replacement. They can be supplied pre-filled, direct from our production facilities, or refilled via their easy-access removable caps. A foam gasket is included on one side to provide proper sealing between modules on slide-in installations.

The design of your system will determine which size of module you require. Factors that need to be taken into consideration include available space, airflow volumes, type and concentration of contaminants and desired media life. Please consult your local Viledon® partner for further information.

### Proven performance and low whole-life costs

As with all Viledon® products, our ChemControl Modules offer excellent airflow performance with low pressure drops. We have designed our modules to minimize maintenance time and reduce whole-life costs.

### Viledon® ChemControl Modules



CCM 1810

CCM 1805



CCM 1210

CCM 1205

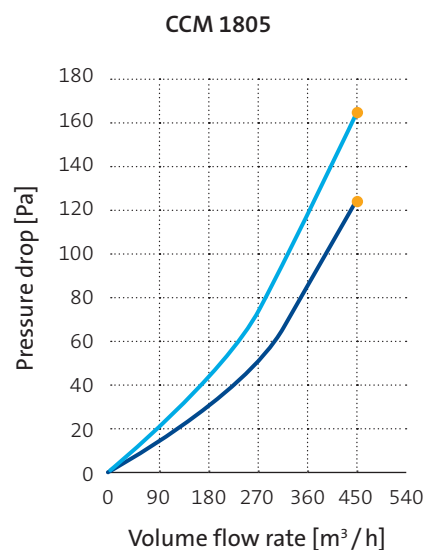
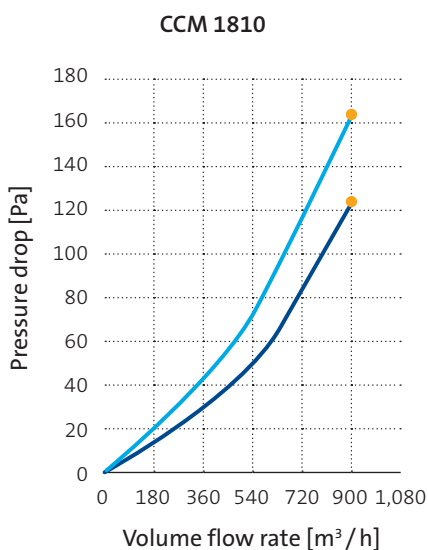
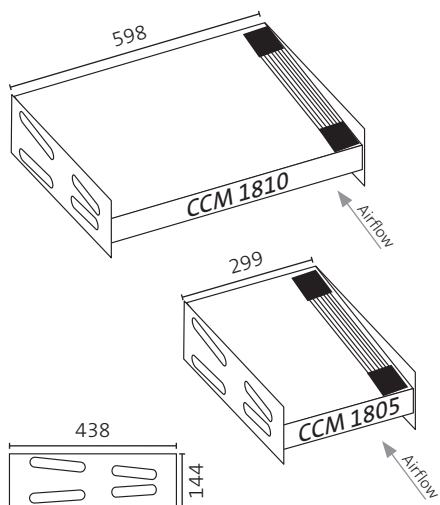
AVAILABLE GEOMETRIES		CCM 1810	CCM 1805	CCM 1210*	CCM 1205
Dimensions (L×W×H)	mm	598×438×144	299×438×144	598×295×299	299×295×299
Volume	dm <sup>3</sup>	15.6	7.1	28.3	14.2
Pellet bed depth	mm	25.4		76	

DELIVERY NOTES		CCM 1810	CCM 1805	CCM 1210*	CCM 1205
Module weight (empty)	kg	3.4	2.0	2.9	1.8
Delivery unit	pcs.	1	2	1	2

\* Full-size 12" deep-bed modules are designed to hold 1 full box of pellets

# TECHNICAL FILTER TEST DATA

## 18XX SERIES

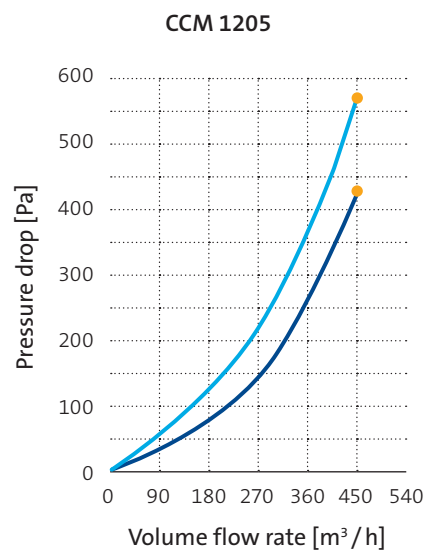
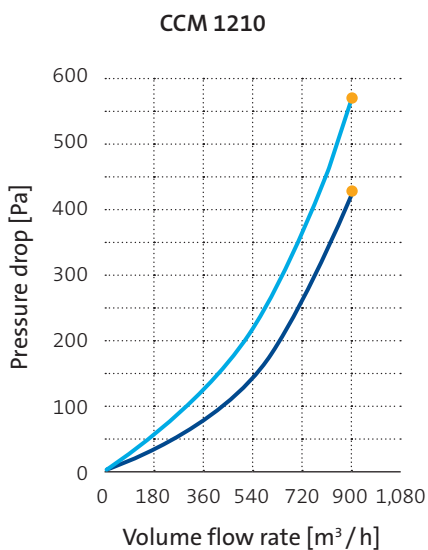
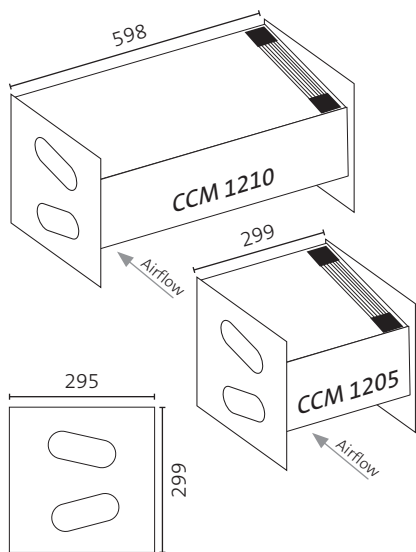


— CCP 104, CCP 108, CCP 210, CCP 310, CCP 510

— CCP 610

● Nominal volume flow rate

## 12XX SERIES



— CCP 104, CCP 108, CCP 210, CCP 310, CCP 510

— CCP 610

● Nominal volume flow rate

The information or figures given are subject to tolerances due to normal production fluctuations. Our explicit written confirmation is required in each case for the correctness of the information. Subject to technical alterations. You will find instructions on how to handle and dispose of loaded filters in our information on product safety and eco-compatibility.