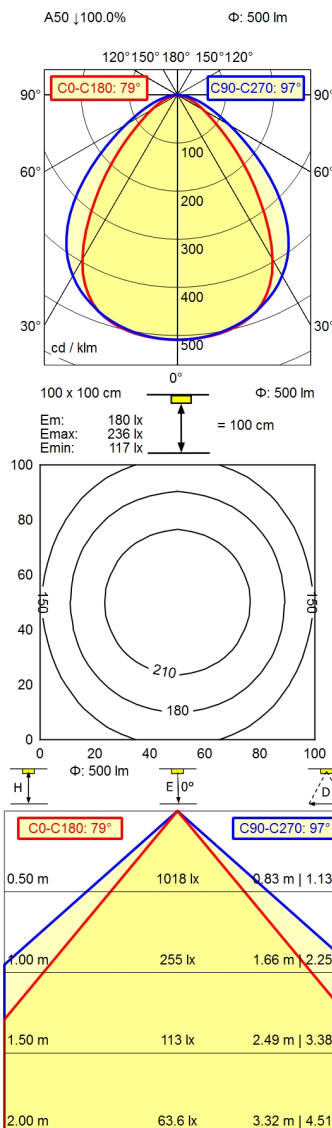


Serie 814



Light source

Work equipment

Connected load

Power consumption

Luminous flux

Luminous efficiency ¹⁾

Light type/-color

Colour temperatur

Color rendering index

Light distribution

Beam angle

Chromaticity tolerance LED

Glare control

Luminance (L65)

UGR class (4H 8H; EN 12464-1)

System of protection/Class

Technology

Operation

Housing

Light source cover

Mains lead

Design

Fastening

Minimum ambient temperature

Maximum ambient temperature

EAN

Weight without/incl. packaging

Dimensions (dimensional drawing)

Packaging dimensions

Special features

LED

Electronic ballast

100 V; 120 V; 220 - 240 V; AC; 50 Hz; 60 Hz

ca. 7 W

approx. 500 lm

approx. 71 lm/W

Cold white

approx. 5.000 K

CRI ≥ 80

Direct; Symmetric

80°/100°

< 4 SDCM

optical film

≤ 13.000 cd/m²

≤ 22

IP 67; I

Switchable

External

Aluminium; Anodised; Aluminium coloured

anodised
Borosilicate; Clear

Built-in plug; Connection box; Serie 814

mounted version

L-angle; Clamp

-10 °C

55 °C

4013330046613

ca. 1,5 kg; 2,1 kg

A=370 mm

ca. 843 mm; 100 mm; 88 mm

Eco equipment; Through-wired

¹⁾ For luminaires with separate control gear, the luminous efficacy refers to the luminaire head without control gear