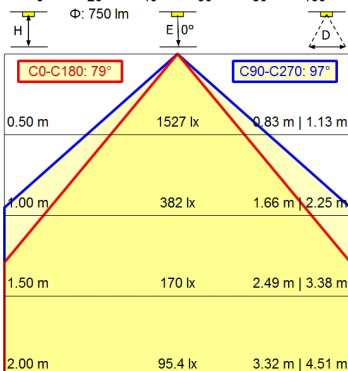
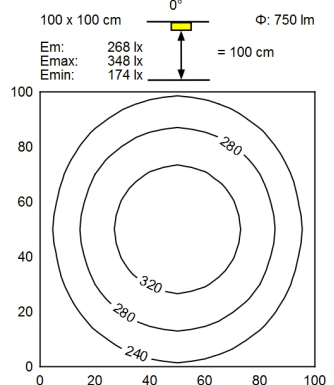
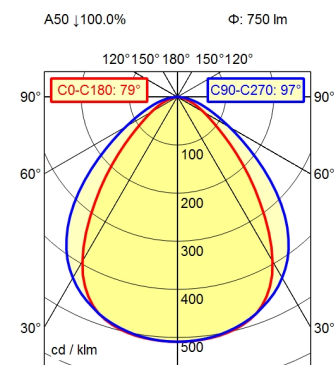


Serie 814



| | |
|--|--|
| Light source | LED |
| Work equipment | Electronic ballast |
| Connected load | 100 V; 120 V; 220 - 240 V; AC; 50 Hz; 60 Hz |
| Power consumption | ca. 9,5 W |
| Luminous flux | approx. 750 lm |
| Luminous efficiency ¹⁾ | approx. 78 lm/W |
| Light type/-color | Cold white |
| Colour temperatur | approx. 5.000 K |
| Color rendering index | CRI ≥ 80 |
| Light distribution | Direct; Symmetric |
| Beam angle | 80°/100° |
| Chromaticity tolerance LED | < 4 SDCM |
| Glare control | optical film |
| Luminance (L65) | ≤ 13.000 cd/m ² |
| UGR class (4H 8H; EN 12464-1) | ≤ 22 |
| System of protection/Class | IP 67; I |
| Technology | Switchable |
| Operation | External |
| Housing | Aluminium; Anodised; Aluminium coloured anodised Borosilicate; Clear |
| Light source cover | |
| Mains lead | Built-in plug; Connection box; Serie 814 |
| Design | mounted version |
| Fastening | L-angle; Clamp |
| Minimum ambient temperature | -10 °C |
| Maximum ambient temperature | 55 °C |
| EAN | 4013330046897 |
| Weight without/incl. packaging | ca. 1,8 kg; 2,5 kg |
| Dimensions (dimensional drawing) | A=565 mm |
| Packaging dimensions | ca. 843 mm; 100 mm; 88 mm |
| Special features | Eco equipment; Through-wired |

¹⁾ For luminaires with separate control gear, the luminous efficacy refers to the luminaire head without control gear