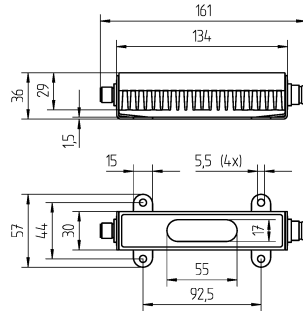


# Surface-mounted luminaire ONE LED MVAL 1 SD

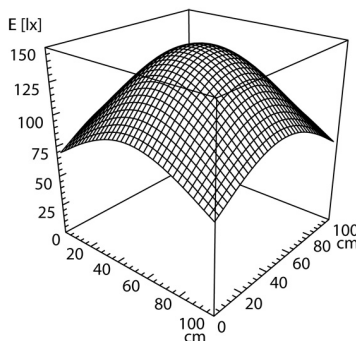
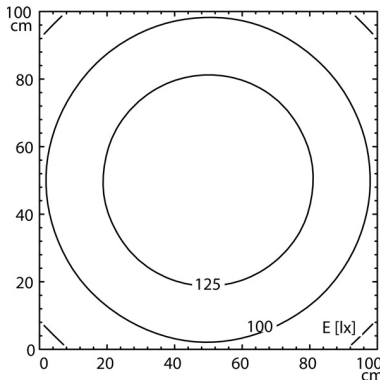
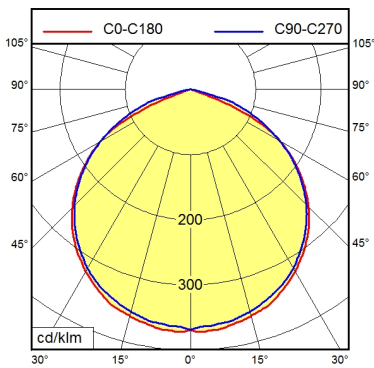
112887000-00684959

# Waldmann **W**

ENGINEERS OF LIGHT



RSFM 4/0.5M



<b>Light source</b>	LED
<b>Work equipment</b>	Without
<b>Connected load</b>	20 - 28 V; DC
<b>Power consumption</b>	ca. 6 W
<b>Luminous flux</b>	approx. 400 lm
<b>Luminous efficiency <sup>1)</sup></b>	approx. 66 lm/W
<b>Light type/-color</b>	Cold white
<b>Colour temperatur</b>	approx. 5.000 K
<b>Color rendering index</b>	CRI ≥ 80
<b>Light distribution</b>	Direct; Symmetric
<b>Glare control</b>	without
<b>System of protection/Class</b>	IP 54; III
<b>Operation</b>	External
<b>Housing</b>	Aluminium; Untreated; Aluminium coloured anodised Acrylic (PMMA); Clear
<b>Light source cover</b>	
<b>Mains lead</b>	Built-in plug; RSFM 4/0.5M
<b>Design</b>	mounted version
<b>Fastening</b>	Screws
<b>Maximum ambient temperature</b>	50 °C
<b>EAN</b>	4013330080426
<b>Weight without/incl. packaging</b>	ca. 0,2 kg; 0,4 kg
<b>Packaging dimensions</b>	ca. 255 mm; 115 mm; 90 mm
<b>Special features</b>	Through-wired; Luminaire body rotatable ±90°

<sup>1)</sup> For luminaires with separate control gear, the luminous efficacy refers to the luminaire head without control g