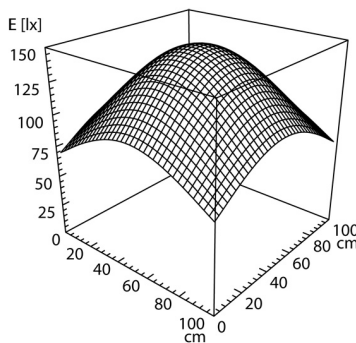
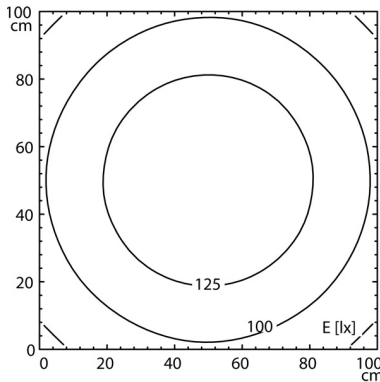
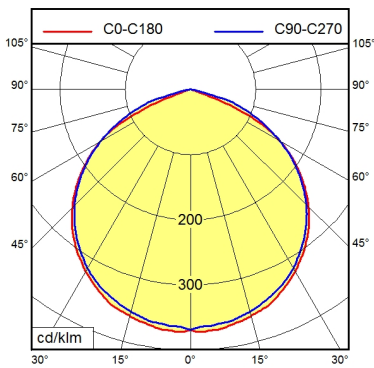
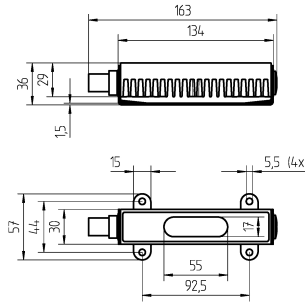


Surface-mounted luminaire ONE LED MVAL 1 S

112887037-00076065

Waldmann **W**

ENGINEERS OF LIGHT



Light source	LED
Work equipment	Without
Connected load	20 - 28 V; DC
Power consumption	ca. 6 W
Luminous flux	approx. 400 lm
Luminous efficiency ¹⁾	approx. 66 lm/W
Light type/-color	Cold white
Colour temperatur	approx. 5.000 K
Color rendering index	CRI ≥ 80
Light distribution	Direct; Symmetric
Glare control	without
System of protection/Class	IP 67; III
Operation	External
Housing	Aluminium; Untreated; Aluminium coloured anodised Borosilicate
Light source cover	
Mains lead	Built-in plug; QUICKON 3
Design	mounted version
Fastening	Screws
Maximum ambient temperature	50 °C
EAN	4013330760656
Weight without/incl. packaging	ca. 0,2 kg; 0,9 kg
Packaging dimensions	ca. 255 mm; 115 mm; 90 mm
Special features	Luminaire body rotatable ±90°

¹⁾ For luminaires with separate control gear, the luminous efficacy refers to the luminaire head without control gear.