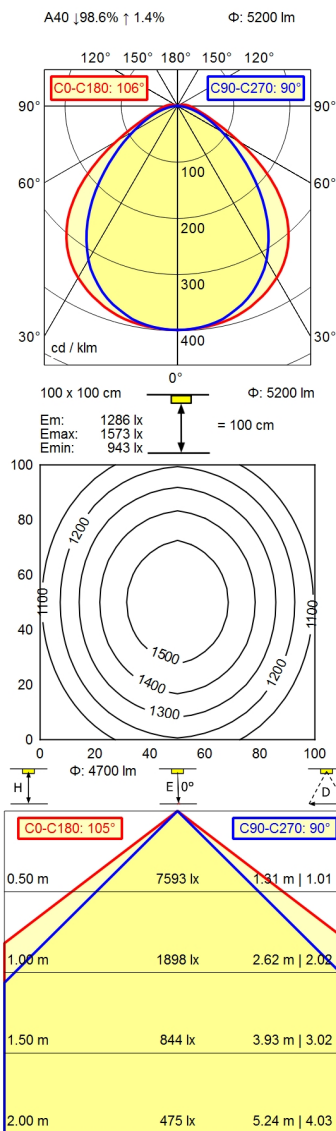




series 272



Light source	LED
Work equipment	Without
Connected load	230 V; AC; 50 Hz; 60 Hz
Power consumption	ca. 64 W
Luminous flux	approx. 5.200 lm
Luminous efficiency ¹⁾	approx. 81 lm/W
Light type/-color	Cold white
Colour temperatur	approx. 5.000 K
Color rendering index	CRI ≥ 80
Light distribution	Direct; approx. 99 %
Beam angle	100°
Chromaticity tolerance LED	< 4 SDCM
Glare control	Diffusor
Luminance (L65)	≤ 18.000 cd/m ²
UGR class (4H 8H; EN 12464-1)	≤ 25
System of protection/Class	IP 67; I
Technology	Switchable
Operation	External
Housing	Borosilicate glass
Light source cover	Borosilicate
Mains lead	Connector; series 272
Fastening	Pipe clamp (accessory)
Light output	D=1156 mm
Side part	A with screwed cable gland
Maximum ambient temperature	40 °C
EAN	4013330107574
Weight without/incl. packaging	ca. 4,5 kg; 5,1 kg
Dimensions (dimensional drawing)	A=1210 mm
Packaging dimensions	ca. 1.400 mm; 95 mm; 95 mm
Special features	Light forming

¹⁾ For luminaires with separate control gear, the luminous efficacy refers to the luminaire head without control gear.