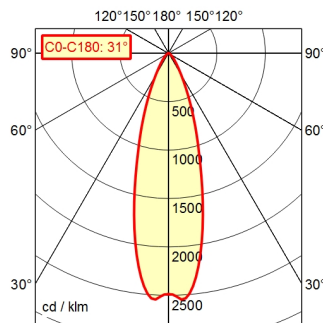
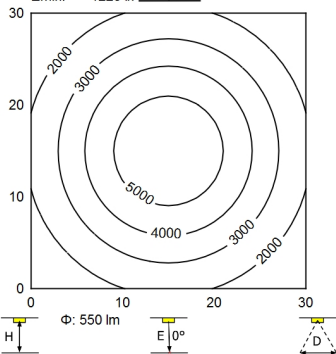


A70 ↓ 100.0% Φ: 550 lm



30 x 30 cm Φ: 550 lm
 Em: 3261 lx
 Emax: 5572 lx
 Emin: 1223 lx
 = 50 cm



H	Φ: 550 lm	E 0°	D
0.25 m		21895 lx	0.14 m
0.50 m		5474 lx	0.27 m
0.75 m		2433 lx	0.41 m
1.00 m		1368 lx	0.55 m

Light source	LED
Work equipment	Without
Connected load	12 - 40 V; 12-28 V, AC and 12-40 V, DC; AC; DC
Power consumption	ca. 8 W
Luminous flux	approx. 550 lm
Luminous efficiency ¹⁾	approx. 68 lm/W
Light type/-color	Cold white
Colour temperatur	approx. 5.000 K
Color rendering index	CRI ≥ 80
Light distribution	Wide beam; Direct
Beam angle	30°
Chromaticity tolerance LED	< 4 SDCM
Glare control	Optics
Luminance (L65)	≤ 6.000 cd/m ²
UGR class (4H 8H; EN 12464-1)	≤ 19
System of protection/Class	IP 67; III
Technology	Switchable; Continuously dimmable
Operation	Push button
Housing	Aluminium; Anodised; Black
Light source cover	Borosilicate
Arm	Black
Mains lead	ca. 3,2 m; With free stranded wires
Fastening	Table clamp (accessory); Wall bracket (accessory); Screw-down flange
Maximum ambient temperature	40 °C
EAN	4013330088453
Weight without/incl. packaging	ca. 2 kg; 2,7 kg
Packaging dimensions	ca. 980 mm; 200 mm; 130 mm

¹⁾ For luminaires with separate control gear, the luminous efficacy refers to the luminaire head without control gear

