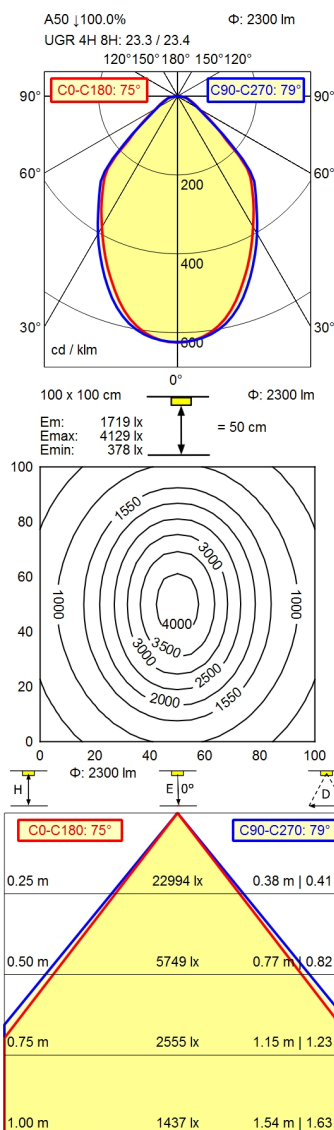


CEE 7/VII



Light source
Work equipment
Connected load
Secondary tension
Power consumption
Sec. power consumption
Luminous flux
Luminous efficiency ¹⁾
Light type/-color
Colour temperatur
Color rendering index
Light distribution
Beam angle
Chromaticity tolerance LED
Glare control
Luminance (L65)
UGR class (4H 8H; EN 12464-1)
System of protection/Class
Technology
Operation
Housing
Light source cover
Arm
Balance of articulation joints
Mains lead
Fastening
Decorative contrast side parts
EAN
Weight without/incl. packaging
Packaging dimensions

LED
 Electronic transformer
 100 - 240 V; AC; 50 Hz; 60 Hz
 24 V
 ca. 31 W
 ca. 27 W
 approx. 2.300 lm
 approx. 85 lm/W
 adjustable white
 approx. 3.000 K; 4.000 K; 5.000 K; 6.500 K
 CRI \geq 90; R9 \geq 50
 Direct; approx. 100 %
 75°
 < 3 SDCM
 optical film; Prism aperture
 \leq 12.000 cd/m²
 \leq 25
 IP 20; I with plug-in power supply; III without plug-in power supply
 Touch DIM
 Multi-function switch
 Aluminium coloured anodised
 Structured; Plastic
 Aluminium coloured anodised
 Spring
 ca. 3,4 m; Mains plug; CEE 7/VII
 Tap16; Table clamp (accessory); Screw-down flange
 Black
 4013330131623
 ca. 2,3 kg; 4,2 kg
 ca. 865 mm; 420 mm; 102 mm

¹⁾ For luminaires with separate control gear, the luminous efficacy refers to the luminaire head without control gear

