

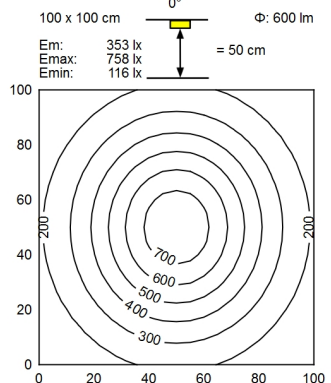
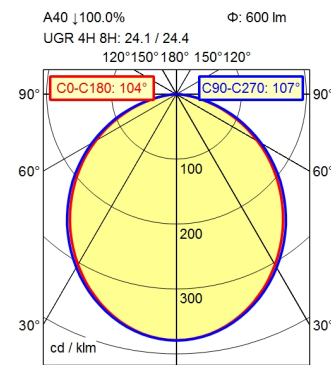
CEE 7/XVI



BS 1363



NEMA 1-15P



0.25 m	3640 lx	0.64 m 0.67 m
0.50 m	910 lx	1.28 m 1.34 m
0.75 m	404 lx	1.92 m 2.01 m
1.00 m	227 lx	2.56 m 2.68 m

Light source

Work equipment

Connected load

Secondary tension

Power consumption

Sec. power consumption

Luminous flux

Luminous efficiency ¹⁾

Light type/-color

Colour temperatur

Color rendering index

Light distribution

Beam angle

Chromaticity tolerance LED

Glare control

Luminance (L65)

UGR class (4H 8H; EN 12464-1)

System of protection/Class

Technology

Operation

Housing

Light source cover

Arm

Mains lead

Fastening

Decorative contrast side parts

EAN

Weight without/incl. packaging

Packaging dimensions

LED

Electronic transformer

100 - 240 V; AC; 50 Hz; 60 Hz

24 V

ca. 12 W

ca. 10 W

approx. 600 lm

approx. 60 lm/W

Cold white

approx. 5.000 K

CRI ≥ 90; R9 ≥ 50

Direct; approx. 100 %

110°

< 3 SDCM

without

≤ 23.000 cd/m²

≤ 28

IP 20; II with plug-in power supply, III without plug-

in power supply

Touch DIM

Multi-function switch

Aluminium coloured anodised

Milky; Plastic

Aluminium coloured anodised

ca. 3 m; Mains plug; CEE 7/XVI; BS 1363; NEMA

1-15P

Table base

Black

4013330131432

ca. 2 kg; 3,2 kg

ca. 865 mm; 420 mm; 102 mm

¹⁾ For luminaires with separate control gear, the luminous efficacy refers to the luminaire head without control g

