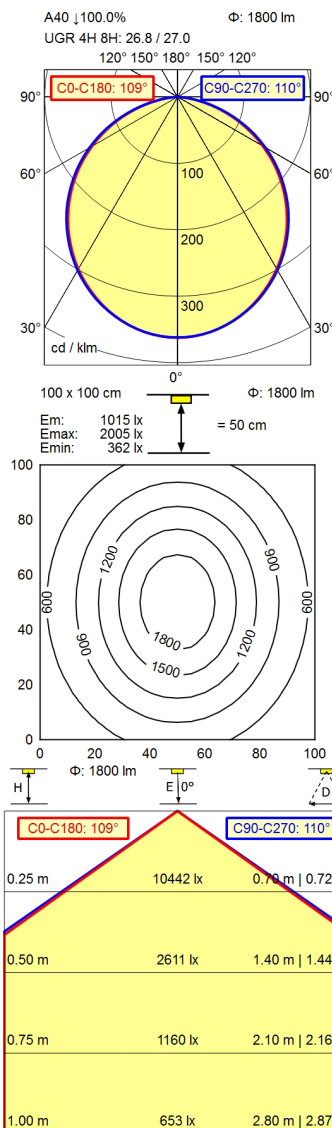


CEE 7/VII



- Light source**
- Work equipment**
- Connected load**
- Secondary tension**
- Power consumption**
- Sec. power consumption**
- Luminous flux**
- Luminous efficiency ¹⁾**
- Light type/-color**
- Colour temperatur**
- Color rendering index**
- Light distribution**
- Beam angle**
- Chromaticity tolerance LED**
- Glare control**
- Luminance (L65)**
- UGR class (4H 8H; EN 12464-1)**
- System of protection/Class**
- Technology**
- Operation**
- Housing**
- Light source cover**
- Arm**
- Balance of articulation joints**
- Mains lead**
- Fastening**
- Decorative contrast side parts**
- EAN**
- Weight without/incl. packaging**
- Packaging dimensions**

- LED
- Electronic transformer
- 100 - 240 V; AC; 50 Hz; 60 Hz
- 24 V
- ca. 38 W
- ca. 33 W
- approx. 1.800 lm
- approx. 54 lm/W
- D50 standard light; Cold white
- approx. 5.000 K
- CRI \geq 95; R9 \geq 85
- Direct; approx. 100 %
- 110°
- < 3 SDCM
- optical film
- \leq 23.000 cd/m²
- \leq 28
- IP 20; I with plug-in power supply; III without plug-in power supply
- Touch DIM
- Multi-function switch
- Aluminium coloured anodised
- Milky; Plastic
- Aluminium coloured anodised
- Spring
- ca. 3,4 m; Mains plug; CEE 7/VII
- Table base
- Black
- 4013330131678
- ca. 2,3 kg; 4,2 kg
- ca. 865 mm; 420 mm; 102 mm

¹⁾ For luminaires with separate control gear, the luminous efficacy refers to the luminaire head without control gear

