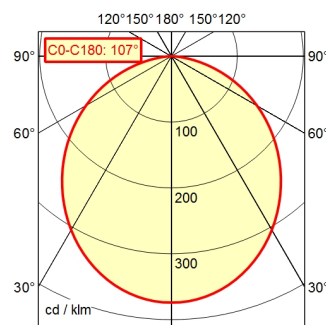


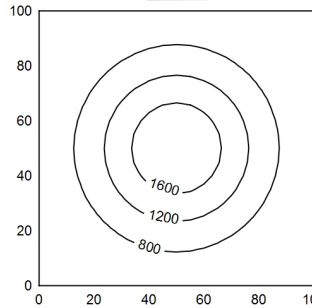
CEE 7/XVII

A40 ↓ 100.0% Φ: 1450 lm



100 x 100 cm Φ: 1450 lm

Em: 852 lx
Emax: 1890 lx
Emin: 276 lx



Φ: 1450 lm E: 0°

Height (m)	Beam Angle (°)	Luminance (lx)	Width (m)
0.25	107	8677	0.67
0.50	107	2169	1.35
0.75	107	964	2.02
1.00	107	542	2.70

Light source

Work equipment

Connected load

Secondary tension

Power consumption

Sec. power consumption

Luminous flux

Luminous efficiency ¹⁾

Light type/-color

Colour temperatur

Color rendering index

Light distribution

Beam angle

Chromaticity tolerance LED

Glare control

Luminance (L65)

UGR class (4H 8H; EN 12464-1)

System of protection/Class

Technology

Operation

Housing

Light source cover

Arm

Balance of articulation joints

Mains lead

Fastening

EAN

Weight without/incl. packaging

Packaging dimensions

LED

Electronic transformer

100 - 240 V; AC; 50 Hz; 60 Hz

24 V

ca. 18 W

ca. 16 W

approx. 1.450 lm

approx. 90 lm/W

Cold white

approx. 5.000 K

CRI ≥ 80

Direct; approx. 100 %

110°

< 4 SDCM

Diffusor

≤ 22.000 cd/m²

≤ 28

IP 20 [IP65]; I

Switchable; Continuously dimmable

Push button

Aluminium; Painted; Jet black

Polycarbonate (PC); White opal

Tubular aluminium section; Anodized; Black

Spring

ca. 3,8 m; Mains plug; CEE 7/XVII

Table clamp (accessory); Wall bracket (accessory);

Screw-down flange
4013330053529

ca. 2,2 kg; 2,7 kg

ca. 710 mm; 300 mm; 105 mm

¹⁾ For luminaires with separate control gear, the luminous efficacy refers to the luminaire head without control gear.

Arm-mounted luminaire ROCIA.planar RPD 1700/850/D

113688000-00803342

