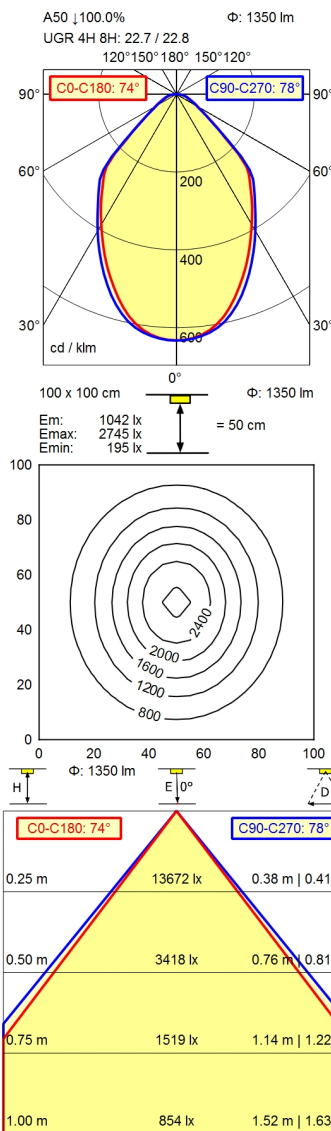


CEE 7/VII



- Light source**
- Work equipment**
- Connected load**
- Secondary tension**
- Power consumption**
- Sec. power consumption**
- Luminous flux**
- Luminous efficiency <sup>1)</sup>**
- Light type/-color**
- Colour temperatur**
- Color rendering index**
- Light distribution**
- Beam angle**
- Chromaticity tolerance LED**
- Glare control**
- Luminance (L65)**
- UGR class (4H 8H; EN 12464-1)**
- System of protection/Class**
- Technology**
- Operation**
- Housing**
- Light source cover**
- Arm**
- Balance of articulation joints**
- Mains lead**
- Fastening**
- EAN**
- Weight without/incl. packaging**
- Packaging dimensions**
- Special features**

- LED
- Electronic transformer
- 100 - 240 V; AC; 50 Hz; 60 Hz
- 24 V
- ca. 23 W
- ca. 19 W
- approx. 1.350 lm
- approx. 71 lm/W
- Cold white
- approx. 3.900 K
- CRI  $\geq$  90; R9  $\geq$  50
- Direct; approx. 100 %
- 75°
- < 4 SDCM
- optical film; Prism aperture
- $\leq$  12.000 cd/m<sup>2</sup>
- $\leq$  25
- IP 20; I with plug-in power supply; III without plug-in power supply
- Touch DIM
- Multi-function switch
- Black
- Structured; Plastic
- Black
- Spring
- ca. 3,4 m; Mains plug; CEE 7/VII
- Tap16; Table clamp (accessory); Screw-down flange
- 4013330131487
- ca. 1,9 kg; 3,7 kg
- ca. 865 mm; 420 mm; 102 mm
- ESD version

<sup>1)</sup> For luminaires with separate control gear, the luminous efficacy refers to the luminaire head without control gear

