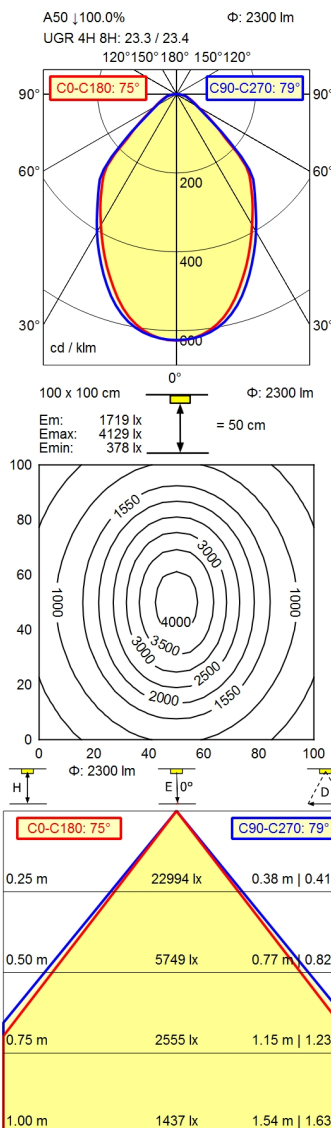


CEE 7/VII



<b>Light source</b>	LED
<b>Work equipment</b>	Electronic transformer
<b>Connected load</b>	100 - 240 V; AC; 50 Hz; 60 Hz
<b>Secondary tension</b>	24 V
<b>Power consumption</b>	ca. 30 W
<b>Sec. power consumption</b>	ca. 26 W
<b>Luminous flux</b>	approx. 2.300 lm
<b>Luminous efficiency <sup>1)</sup></b>	approx. 88 lm/W
<b>Light type/-color</b>	Cold white
<b>Colour temperatur</b>	approx. 4.000 K
<b>Color rendering index</b>	CRI $\geq$ 90; R9 $\geq$ 50
<b>Light distribution</b>	Direct; approx. 100 %
<b>Beam angle</b>	75°
<b>Chromaticity tolerance LED</b>	< 3 SDCM
<b>Glare control</b>	optical film; Prism aperture
<b>Luminance (L65)</b>	$\leq$ 12.000 cd/m <sup>2</sup>
<b>UGR class (4H 8H; EN 12464-1)</b>	$\leq$ 25
<b>System of protection/Class</b>	IP 20; I with plug-in power supply; III without plug-in power supply
<b>Technology</b>	Continuously dimmable; Touch DIM
<b>Operation</b>	Multi-function switch
<b>Housing</b>	Sectional aluminium; Anodised; Aluminium coloured anodised
<b>Light source cover</b>	Acrylic (PMMA); Structured
<b>Mains lead</b>	ca. 4,5 m; Mains plug; CEE 7/VII
<b>Design</b>	Mounted version
<b>Fastening</b>	Screw-down bracket, horizontal
<b>EAN</b>	4013330133856
<b>Weight without/incl. packaging</b>	ca. 1,8 kg; 3,2 kg
<b>Packaging dimensions</b>	ca. 880 mm; 320 mm; 180 mm
<b>Special features</b>	Fixed connection

<sup>1)</sup> For luminaires with separate control gear, the luminous efficacy refers to the luminaire head without control gear

