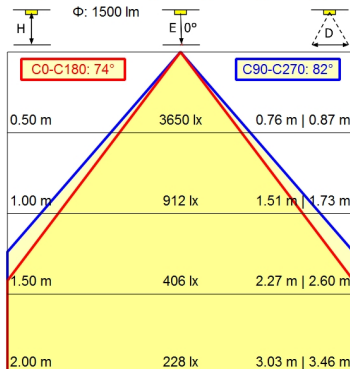
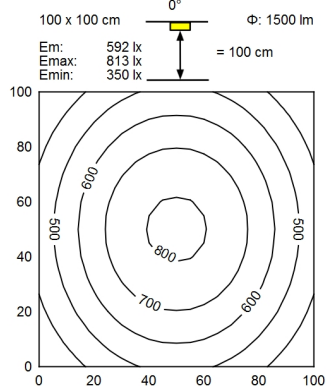
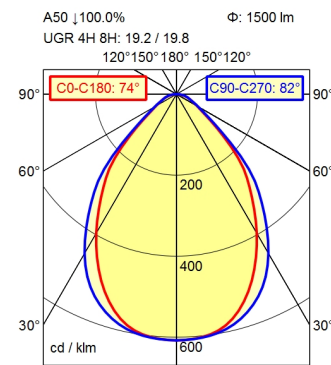


CEE 7/VII



- Light source**
- Work equipment**
- Connected load**
- Power consumption**
- Luminous flux**
- Luminous efficiency ¹⁾**
- Light type/-color**
- Colour temperatur**
- Color rendering index**
- Light distribution**
- Beam angle**
- Chromaticity tolerance LED**
- Glare control**
- Luminance (L65)**
- UGR class (4H 8H; EN 12464-1)**
- System of protection/Class**
- Technology**
- Operation**
- Housing**
- Light source cover**
- Mains lead**
- Design**
- Fastening**
- Decorative contrast side parts**
- EAN**
- Weight without/incl. packaging**
- Packaging dimensions**

- LED
- Electronic ballast dimable digital
- 220 - 240 V; AC; 50 Hz; 60 Hz
- ca. 23 W
- approx. 1.500 lm
- approx. 65 lm/W
- adjustable white
- approx. 3.000 - 6.500 K
- CRI \geq 90; R9 \geq 50
- Direct; Symmetric; approx. 100 %
- 75°
- < 3 SDCM
- Prism aperture
- \leq 3.800 cd/m²
- \leq 22
- IP 20; I
- Continuously dimmable; Radio-controlled
- External
- Aluminium/plastic; Anodised; Aluminium coloured anodised
- Structured; Plastic
- ca. 3 m; Mains plug; CEE 7/VII
- mounted version
- Screw down lash
- Black
- 4013330138547
- ca. 3,7 kg; 5 kg
- ca. 865 mm; 420 mm; 102 mm

¹⁾ For luminaires with separate control gear, the luminous efficacy refers to the luminaire head without control gear

Workplace-system luminaire Tameto SAHQ 44 RC

114260000-00805753

