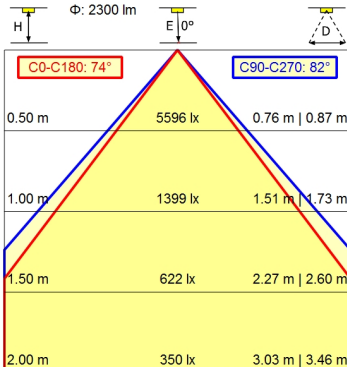
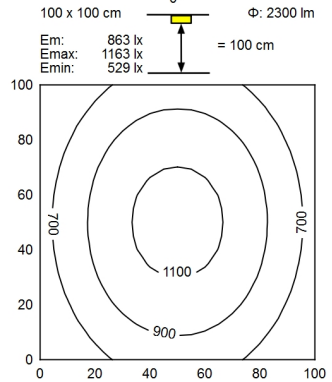
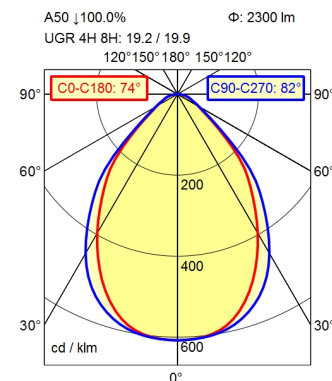


GST 18i3S



<b>Light source</b>	LED
<b>Work equipment</b>	Electronic ballast
<b>Connected load</b>	220 - 240 V; AC; 50 Hz; 60 Hz
<b>Power consumption</b>	ca. 26 W
<b>Luminous flux</b>	approx. 2.300 lm
<b>Luminous efficiency<sup>1)</sup></b>	approx. 88 lm/W
<b>Light type/-color</b>	Cold white
<b>Colour temperatur</b>	approx. 4.000 K
<b>Color rendering index</b>	CRI ≥ 90; R9 ≥ 50
<b>Light distribution</b>	Direct; Symmetric; approx. 100 %
<b>Beam angle</b>	75%
<b>Chromaticity tolerance LED</b>	< 3 SDCM
<b>Glare control</b>	Prism aperture
<b>Luminance (L65)</b>	≤ 3.800 cd/m <sup>2</sup>
<b>UGR class (4H 8H; EN 12464-1)</b>	≤ 22
<b>System of protection/Class</b>	IP 20; I
<b>Technology</b>	Switchable
<b>Operation</b>	Rocker switch
<b>Housing</b>	Aluminium/plastic; Anodised; Aluminium coloured anodised Structured; Plastic
<b>Light source cover</b>	
<b>Mains lead</b>	ca. 0,3 m; Built-in plug; Connection box; GST 18i3S
<b>Design</b>	mounted version
<b>Fastening</b>	Screw down lash
<b>Decorative contrast side parts</b>	Black
<b>EAN</b>	4013330038021
<b>Weight without/incl. packaging</b>	ca. 4,3 kg; 6,1 kg
<b>Packaging dimensions</b>	ca. 1.300 mm; 220 mm; 120 mm
<b>Special features</b>	Through-wired

<sup>1)</sup> For luminaires with separate control gear, the luminous efficacy refers to the luminaire head without control gear

# Workplace-system luminaire Tameto SAHQ 66 D

112975000-00555628

