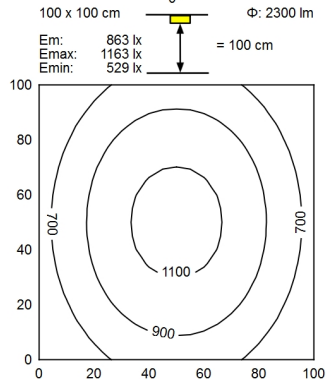
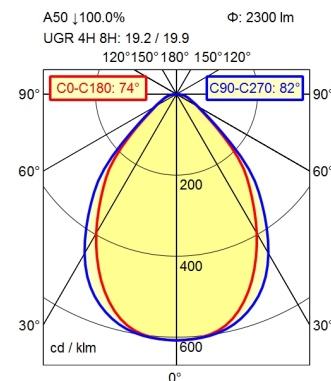


CEE 7/VII



Height (m)	Beam Diameter (m)	Illuminance (lx)
0.50	0.76   0.87	5596
1.00	1.51   1.73	1399
1.50	2.27   2.60	622
2.00	3.03   3.46	350

<b>Light source</b>	LED
<b>Work equipment</b>	Electronic ballast
<b>Connected load</b>	220 - 240 V; AC; 50 Hz; 60 Hz
<b>Power consumption</b>	ca. 26 W
<b>Luminous flux</b>	approx. 2.300 lm
<b>Luminous efficiency <sup>1)</sup></b>	approx. 88 lm/W
<b>Light type/-color</b>	Cold white
<b>Colour temperatur</b>	approx. 4.000 K
<b>Color rendering index</b>	CRI $\geq$ 90; R9 $\geq$ 50
<b>Light distribution</b>	Direct; Symmetric; approx. 100 %
<b>Beam angle</b>	75%
<b>Chromaticity tolerance LED</b>	< 3 SDCM
<b>Glare control</b>	Prism aperture
<b>Luminance (L65)</b>	$\leq$ 3.800 cd/m <sup>2</sup>
<b>UGR class (4H 8H; EN 12464-1)</b>	$\leq$ 22
<b>System of protection/Class</b>	IP 20; I
<b>Technology</b>	Continuously dimmable; Touch DIM
<b>Operation</b>	Rocker switch
<b>Housing</b>	Aluminium/plastic; Anodised; Aluminium coloured anodised Structured; Plastic
<b>Light source cover</b>	
<b>Mains lead</b>	ca. 3 m; Mains plug; CEE 7/VII
<b>Design</b>	mounted version
<b>Fastening</b>	Screw down lash
<b>Decorative contrast side parts</b>	Black
<b>EAN</b>	4013330038038
<b>Weight without/incl. packaging</b>	ca. 4,8 kg; 6,3 kg
<b>Packaging dimensions</b>	ca. 1.300 mm; 220 mm; 120 mm

<sup>1)</sup> For luminaires with separate control gear, the luminous efficacy refers to the luminaire head without control gear

# Workplace-system luminaire Tameto SAHQ 66 R

112976000-00551352

