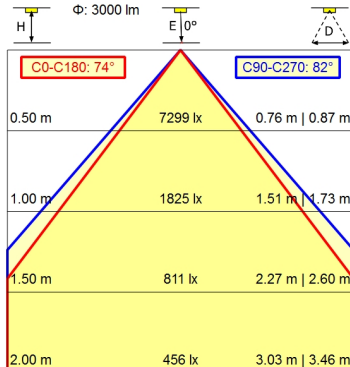
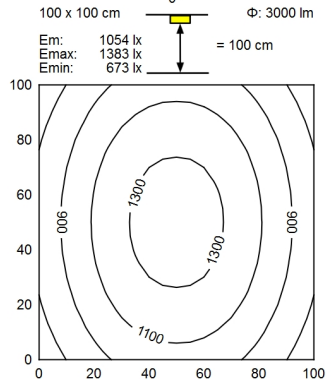
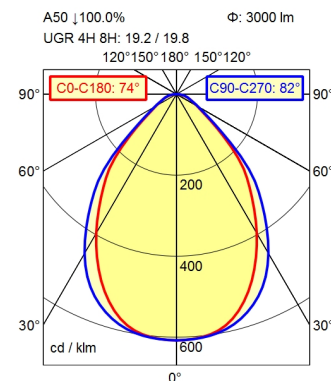


CEE 7/VII



<b>Light source</b>	LED
<b>Work equipment</b>	Electronic ballast
<b>Connected load</b>	220 - 240 V; AC; 50 Hz; 60 Hz
<b>Power consumption</b>	ca. 33 W
<b>Luminous flux</b>	approx. 3.000 lm
<b>Luminous efficiency <sup>1)</sup></b>	approx. 90 lm/W
<b>Light type/-color</b>	Cold white
<b>Colour temperatur</b>	approx. 4.000 K
<b>Color rendering index</b>	CRI $\geq$ 90; R9 $\geq$ 50
<b>Light distribution</b>	Direct; Symmetric; approx. 100 %
<b>Beam angle</b>	75°
<b>Chromaticity tolerance LED</b>	< 3 SDCM
<b>Glare control</b>	Prism aperture
<b>Luminance (L65)</b>	$\leq$ 3.800 cd/m <sup>2</sup>
<b>UGR class (4H 8H; EN 12464-1)</b>	$\leq$ 22
<b>System of protection/Class</b>	IP 20; I
<b>Technology</b>	Switchable
<b>Operation</b>	Rocker switch
<b>Housing</b>	Aluminium/plastic; Anodised; Aluminium coloured anodised Structured; Plastic
<b>Light source cover</b>	
<b>Mains lead</b>	ca. 3 m; Mains plug; CEE 7/VII
<b>Design</b>	mounted version
<b>Fastening</b>	Screw down lash
<b>Decorative contrast side parts</b>	Black
<b>EAN</b>	4013330038199
<b>Weight without/incl. packaging</b>	ca. 5,8 kg; 5,8 kg
<b>Packaging dimensions</b>	ca. 1.300 mm; 220 mm; 120 mm

<sup>1)</sup> For luminaires with separate control gear, the luminous efficacy refers to the luminaire head without control gear.

# Workplace-system luminaire Tameto SAHQ 88

112979000-00551361

