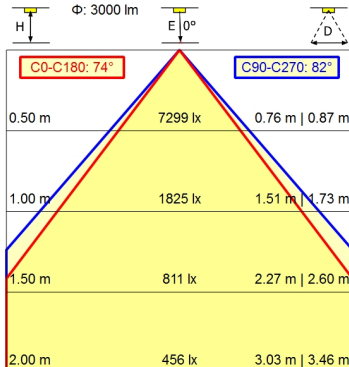
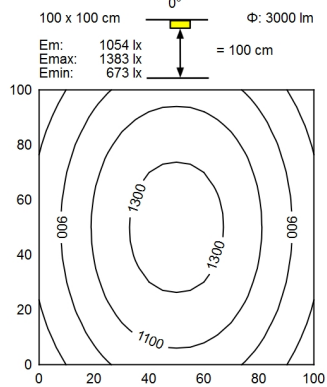
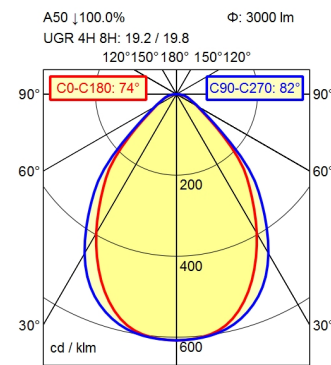


WINSTA MINI 5 pin



Light source

Work equipment

Connected load

Power consumption

Luminous flux

Luminous efficiency¹⁾

Light type/-color

Colour temperatur

Color rendering index

Light distribution

Beam angle

Chromaticity tolerance LED

Glare control

Luminance (L65)

UGR class (4H 8H; EN 12464-1)

System of protection/Class

Technology

Operation

Housing

Light source cover

Mains lead

Design

Fastening

Decorative contrast side parts

EAN

Weight without/incl. packaging

Packaging dimensions

LED

Electronic ballast

220 - 240 V; AC; 50 Hz; 60 Hz

ca. 33 W

approx. 3.000 lm

approx. 90 lm/W

Cold white

approx. 4.000 K

CRI \geq 90; R9 \geq 50

Direct; Symmetric; approx. 100 %

75°

< 3 SDCM

Prism aperture

\leq 3.800 cd/m²

\leq 22

IP 20; I

Continuously dimmable; DALI; Touch DIM

External

Aluminium/plastic; Anodised; Aluminium coloured

Structured; Plastic

ca. 3 m; Built-in plug; WINSTA MINI 5 pin

mounted version

Screw down lash

Black

4013330055912

ca. 5,9 kg; 7,8 kg

ca. 1.385 mm; 300 mm; 137 mm

¹⁾ For luminaires with separate control gear, the luminous efficacy refers to the luminaire head without control gear

Workplace-system luminaire Tameto SAHQ 88 R

113141000-00615059

