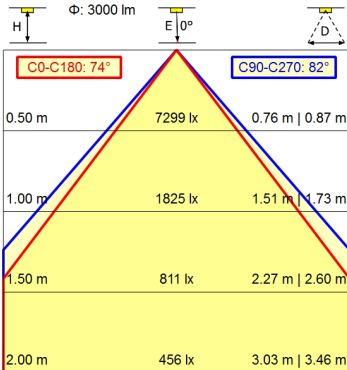
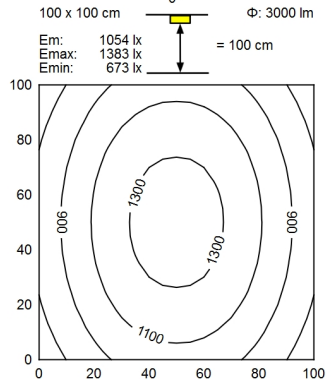
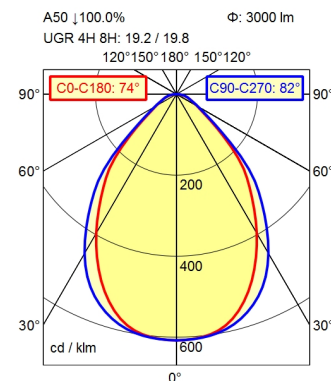


CEE 7/VII



Light source
Work equipment
Connected load
Power consumption
Luminous flux
Luminous efficiency¹⁾
Light type/-color
Colour temperatur
Color rendering index
Light distribution
Beam angle
Chromaticity tolerance LED
Glare control
Luminance (L65)
UGR class (4H 8H; EN 12464-1)
System of protection/Class
Technology
Operation
Housing
Light source cover
Mains lead
Design
Fastening
Decorative contrast side parts
EAN
Weight without/incl. packaging
Packaging dimensions

LED
Electronic ballast dimable digital
220 - 240 V; AC; 50 Hz; 60 Hz
ca. 39 W
approx. 3.000 lm
approx. 76 lm/W
adjustable white
approx. 3.000 - 6.500 K
CRI \geq 90; R9 \geq 50
Direct; Symmetric; approx. 100 %
75°
< 3 SDCM
Prism aperture
 \leq 3.800 cd/m²
 \leq 22
IP 20; I
Continuously dimmable; Radio-controlled
External
Aluminium/plastic; Anodised; Aluminium coloured
anodised
Structured; Plastic
ca. 3 m; Mains plug; CEE 7/VII
mounted version
Screw down lash
Black
4013330138578
ca. 5,8 kg; 7,5 kg
ca. 1.305 mm; 220 mm; 125 mm

¹⁾ For luminaires with separate control gear, the luminous efficacy refers to the luminaire head without control gear

Workplace-system luminaire Tameto SAHQ 88 RC

114262000-00805761

