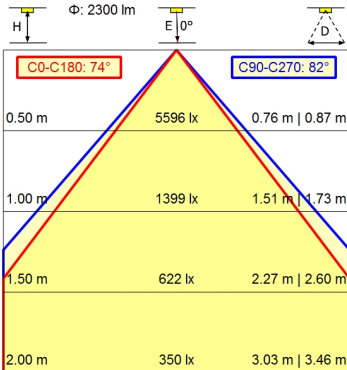
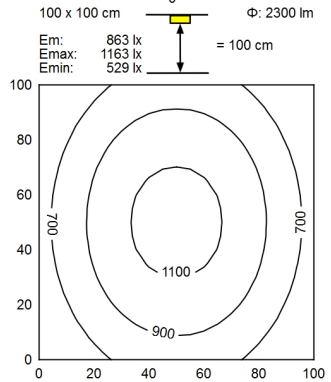
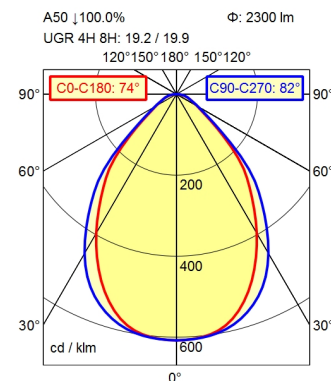


GST 18i3F REV



Light source	LED
Work equipment	Electronic ballast dimmable digital
Connected load	220 - 240 V; AC; 50 Hz; 60 Hz
Power consumption	ca. 32 W
Luminous flux	approx. 2.300 lm
Luminous efficiency ¹⁾	approx. 71 lm/W
Light type/-color	adjustable white
Colour temperatur	approx. 3.000 - 6.500 K
Color rendering index	CRI \geq 90; R9 \geq 50
Light distribution	Direct; Symmetric; approx. 100 %
Beam angle	75°
Chromaticity tolerance LED	< 3 SDCM
Glare control	Prism aperture
Luminance (L65)	\leq 3.800 cd/m ²
UGR class (4H 8H; EN 12464-1)	\leq 22
System of protection/Class	IP 20; I
Technology	Continuously dimmable; Radio-controlled
Operation	External
Housing	Aluminium/plastic; Anodised; Aluminium coloured anodised Structured; Plastic
Light source cover	
Mains lead	Built-in plug; Connection box; GST 18i3F REV
Design	mounted version
Fastening	Screw down lash
Decorative contrast side parts	Black
EAN	4013330138608
Weight without/incl. packaging	ca. 4,5 kg; 5,6 kg
Packaging dimensions	ca. 1.305 mm; 220 mm; 125 mm
Special features	Through-wired

¹⁾ For luminaires with separate control gear, the luminous efficacy refers to the luminaire head without control gear.

Workplace-system luminaire Tameto SAHQ 66 RDC

114264000-00805789

