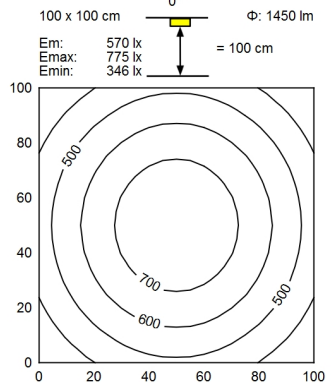
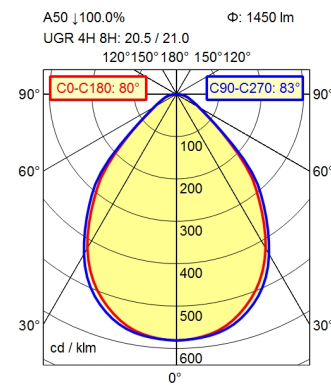


CEE 7/VII



| Height (m) | Beam Angle | Illuminance (lx) | Beam Diameter (m) |
|------------|------------------------------|------------------|-------------------|
| 0.50 | C0-C180: 80° / C90-C270: 83° | 3372 lx | 0.84 m 0.89 m |
| 1.00 | | 843 lx | 1.68 m 1.78 m |
| 1.50 | | 375 lx | 2.53 m 2.66 m |
| 2.00 | | 211 lx | 3.37 m 3.55 m |

Light source

Work equipment

Connected load

Power consumption

Luminous flux

Luminous efficiency¹⁾

Light type/-color

Colour temperatur

Color rendering index

Light distribution

Beam angle

Chromaticity tolerance LED

Glare control

Luminance (L65)

UGR class (4H 8H; EN 12464-1)

System of protection/Class

Technology

Operation

Housing

Light source cover

Mains lead

Design

Fastening

Decorative contrast side parts

EAN

Weight without/incl. packaging

Packaging dimensions

LED

Electronic transformer

220 - 240 V; AC; 50 Hz; 60 Hz

ca. 18 W

approx. 1.450 lm

approx. 80 lm/W

Cold white

approx. 4.000 K

CRI \geq 90; R9 \geq 50

Direct; Symmetric; approx. 100 %

80°

< 3 SDCM

Prism aperture

\leq 5.200 cd/m²

\leq 22

IP 20; I

Switchable

Rocker switch

Aluminium/plastic; Anodised; Aluminium coloured

anodised

Structured; Plastic

ca. 2,5 m; Mains plug; CEE 7/VII

mounted version

Screw down lash

Black

4013330039066

ca. 2,4 kg; 3,8 kg

ca. 865 mm; 420 mm; 102 mm

¹⁾ For luminaires with separate control gear, the luminous efficacy refers to the luminaire head without control gear.

Workplace-system luminaire Tameto SAHKQ 60

112989000-00551392

