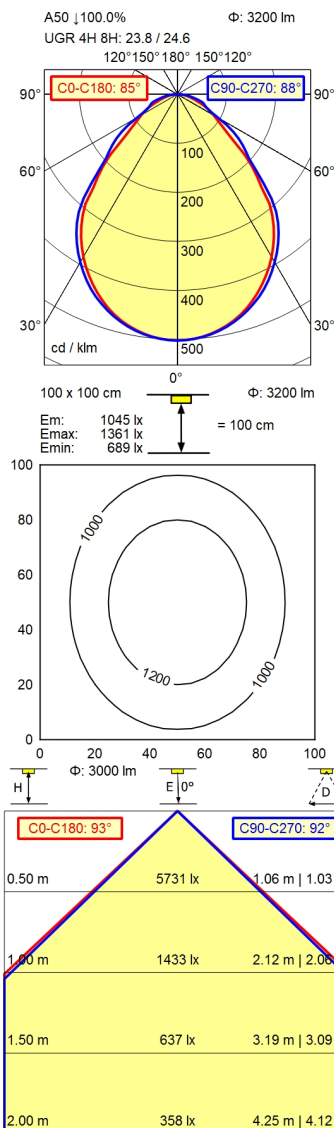


CE



GST 18i3F REV



**Light source**  
**Work equipment**  
**Connected load**  
**Power consumption**  
**Luminous flux**  
**Luminous efficiency**<sup>1)</sup>  
**Light type/-color**  
**Colour temperatur**  
**Color rendering index**  
**Light distribution**  
**Beam angle**  
**Chromaticity tolerance LED**  
**Glare control**  
**Luminance (L65)**  
**UGR class (4H 8H; EN 12464-1)**  
**System of protection/Class**  
**Technology**  
**Operation**  
**Housing**  
**Light source cover**  
**Mains lead**  
**Design**  
**Fastening**  
**Decorative contrast side parts**  
**EAN**  
**Weight without/incl. packaging**  
**Dimensions (dimensional drawing)**  
**Packaging dimensions**  
**Special features**

LED  
Power supply unit  
220 - 240 V; AC; 50 Hz; 60 Hz  
ca. 35 W  
approx. 3.200 lm  
approx. 91 lm/W  
Cold white  
approx. 5.000 K  
CRI  $\geq$  80  
Direct; approx. 100 %  
85° / 88°  
< 3 SDCM  
Prism aperture  
 $\leq$  13.000 cd/m<sup>2</sup>  
 $\leq$  25  
IP 20; I  
Continuously dimmable; DALI  
Rocker switch  
Aluminium/plastic; Anodised; Aluminium coloured  
anodised  
Structured  
Built-in plug; GST 18i3F REV  
mounted version  
Screw down lash  
Dusty grey  
4013330110918  
ca. 3,2 kg; 3,7 kg  
A=899 mm  
ca. 980 mm; 200 mm; 130 mm  
Through-wired

<sup>1)</sup> For luminaires with separate control gear, the luminous efficacy refers to the luminaire head without control g