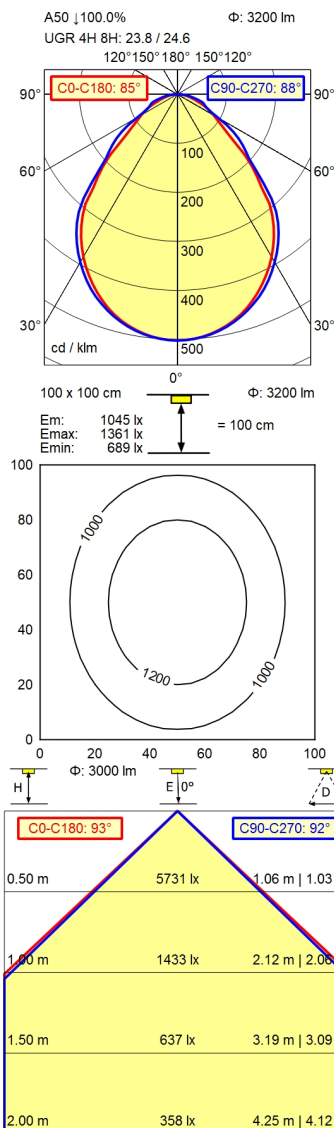


CE



GST 18i3F REV



Light source
Work equipment
Connected load
Power consumption
Luminous flux
Luminous efficiency¹⁾
Light type/-color
Colour temperatur
Color rendering index
Light distribution
Beam angle
Chromaticity tolerance LED
Glare control
Luminance (L65)
UGR class (4H 8H; EN 12464-1)
System of protection/Class
Technology
Operation
Housing
Light source cover
Mains lead
Design
Fastening
Decorative contrast side parts
EAN
Weight without/incl. packaging
Dimensions (dimensional drawing)
Packaging dimensions
Special features

LED
Power supply unit
220 - 240 V; AC; 50 Hz; 60 Hz
ca. 35 W
approx. 3.200 lm
approx. 91 lm/W
Cold white
approx. 5.000 K
CRI \geq 80
Direct; approx. 100 %
85° / 88°
< 3 SDCM
Prism aperture
 \leq 13.000 cd/m²
 \leq 25
IP 20; I
Switchable
Rocker switch
Aluminium/plastic; Anodised; Aluminium coloured
anodised
Structured
Built-in plug; GST 18i3F REV
mounted version
Screw down lash
Dusty grey
4013330090708
ca. 3,2 kg; 4 kg
A=899 mm
ca. 980 mm; 200 mm; 130 mm
Through-wired

¹⁾ For luminaires with separate control gear, the luminous efficacy refers to the luminaire head without control g