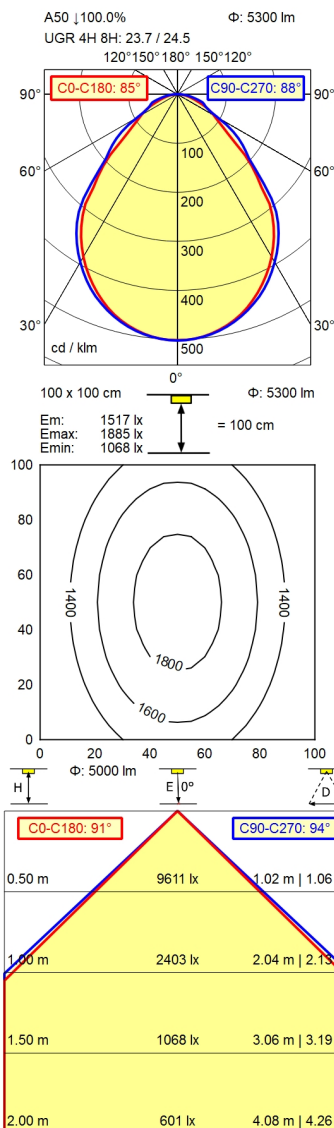


CE



GST 18i3F REV



Light source

Work equipment

Connected load

Power consumption

Luminous flux

Luminous efficiency¹⁾

Light type/-color

Colour temperatur

Color rendering index

Light distribution

Beam angle

Chromaticity tolerance LED

Glare control

Luminance (L65)

UGR class (4H 8H; EN 12464-1)

System of protection/Class

Technology

Operation

Housing

Light source cover

Mains lead

Design

Fastening

Decorative contrast side parts

EAN

Weight without/incl. packaging

Dimensions (dimensional drawing)

Packaging dimensions

Special features

LED

Power supply unit

220 - 240 V; AC; 50 Hz; 60 Hz

ca. 63 W

approx. 5.300 lm

approx. 84 lm/W

Cold white

approx. 5.000 K

CRI \geq 80

Direct; approx. 100 %

85° / 88°

< 3 SDCM

Prism aperture

\leq 13.000 cd/m²

\leq 25

IP 20; I

Continuously dimmable; DALI

Rocker switch

Aluminium/plastic; Anodised; Aluminium coloured

anodised

Structured

Built-in plug; GST 18i3F REV

mounted version

Lamp bracket (accessory)

Dusty grey

4013330110932

ca. 1,6 kg; 2,7 kg

A=1499 mm

ca. 1.650 mm; 290 mm; 75 mm

Through-wired

¹⁾ For luminaires with separate control gear, the luminous efficacy refers to the luminaire head without control g