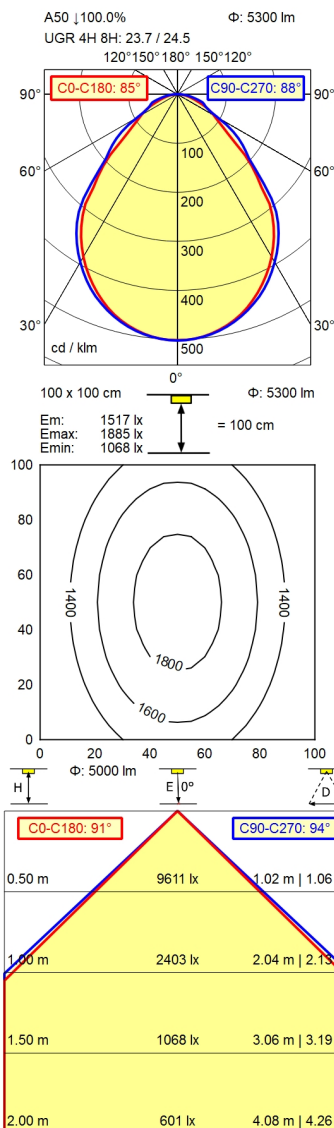


CE



GST 18i3F REV



Light source	LED
Work equipment	Power supply unit
Connected load	220 - 240 V; AC; 50 Hz; 60 Hz
Power consumption	ca. 63 W
Luminous flux	approx. 5.300 lm
Luminous efficiency ¹⁾	approx. 84 lm/W
Light type/-color	Cold white
Colour temperatur	approx. 5.000 K
Color rendering index	CRI \geq 80
Light distribution	Direct; approx. 100 %
Beam angle	85° / 88°
Chromaticity tolerance LED	< 3 SDCM
Glare control	Prism aperture
Luminance (L65)	\leq 13.000 cd/m ²
UGR class (4H 8H; EN 12464-1)	\leq 25
System of protection/Class	IP 20; I
Technology	Switchable
Operation	Rocker switch
Housing	Aluminium/plastic; Anodised; Aluminium coloured anodised Structured
Light source cover	
Mains lead	Built-in plug; GST 18i3F REV
Design	mounted version
Fastening	Lamp bracket (accessory)
Decorative contrast side parts	Dusty grey
EAN	4013330090791
Weight without/incl. packaging	ca. 1,6 kg; 2,7 kg
Dimensions (dimensional drawing)	A=1499 mm
Packaging dimensions	ca. 1.650 mm; 290 mm; 75 mm
Special features	Through-wired

¹⁾ For luminaires with separate control gear, the luminous efficacy refers to the luminaire head without control g