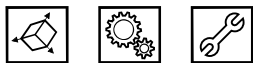
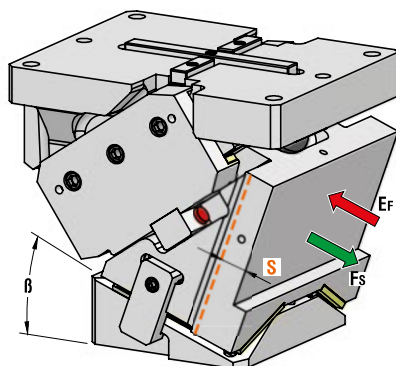




AERIAL CAM UNIT - OBEN HÄNGENDER SCHIEBER - UNITÀ A CAMME SOSPESA



P.605

OMCR CODE	Work Angle	Stroke (mm)	Max Work Force with shoulder (kN)	Extraction Force (kN)
	β	S	Fs	Ef Gas Spring
CHV330.00	0°	37,28	1006	63,9
CHV330.05	5°	41,17	1005	64,6
CHV330.10	10°	41,64	1005	66,6
CHV330.15	15°	46	1005	67,8
CHV330.20	20°	50,56	1007	69,5
CHV330.25	25°	52,42	1009	71,2
CHV330.30	30°	58	1010	73,7
CHV330.35	35°	61,32	1012	75,1
CHV330.40	40°	68,62	1013	78,5
CHV330.45	45°	74,34	1014	79,6
CHV330.50	50°	84,79	1015	84,4
CHV330.55	55°	95,02	1016	85,1
CHV330.60	60°	112,05	1017	91,8
CHV330.65	65°	102,85	1018	94,8
CHV330.70	70°	127,09	1019	94,9
CHV330.75	75°	114,15	1020	95,9



Art.	Work Angle = 5°
CHV330	05

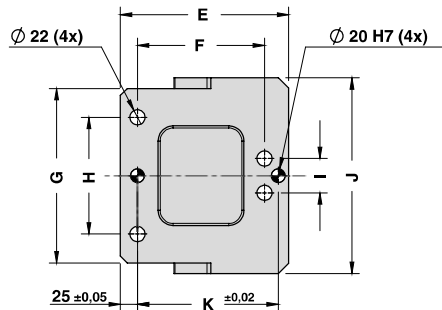
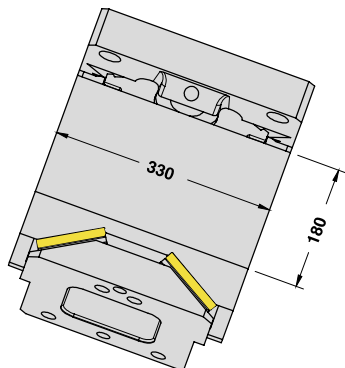
OMCR CODE	Work Angle	Overall Dimensions (mm)														
		β	A	B	C	D	E	F	G	H	I	J	K	L	M	N
CHV330.00	0°	403	75	130	410	280	185	254	170	60	285	205	365	72	209,5	415
CHV330.05	5°	410,89	94,30	130	398	268	185	254	170	50	285	205	365	82,5	220	415
CHV330.10	10°	418,81	99,28	130	384	254	185	254	170	50	285	205	365	93	230,5	415
CHV330.15	15°	426,70	104,96	130	385	255	185	254	170	50	285	205	365	103,5	241	415
CHV330.20	20°	434,51	111,32	130	375	245	185	254	170	50	285	205	365	94	251,5	415
CHV330.25	25°	417,16	118,36	80	339	259	145	254	170	50	285	175	365	104,5	237	415
CHV330.30	30°	424,61	131,06	80	330	250	145	254	170	50	285	175	365	95	247,5	415
CHV330.35	35°	427,78	150,13	80	317	237	145	254	170	50	285	175	365	104	256,5	415
CHV330.40	40°	438,66	158,34	80	312	232	145	254	170	50	285	175	365	98	265,5	415
CHV330.45	45°	395,15	172,88	30	255	225	145	254	170	50	285	175	401	62	224,5	450
CHV330.50	50°	412,72	188,31	30	252	222	145	254	170	50	285	175	401	56	233,5	450
CHV330.55	55°	423,22	212,08	30	256	226	145	254	170	50	285	175	401	63,4	240,9	450
CHV330.60	60°	433,59	232,11	30	258	228	145	254	170	50	285	175	401	71	248,5	450
CHV330.65	65°	434,62	242,64	0	242	242	140	330	293	293	330	175	401	71	248,5	450
CHV330.70	70°	429,87	254,52	0	232	232	125	330	293	293	330	175	401	71	248,5	450
CHV330.75	75°	418,49	262,53	0	221	221	105	330	293	293	330	160	401	56	233,5	450



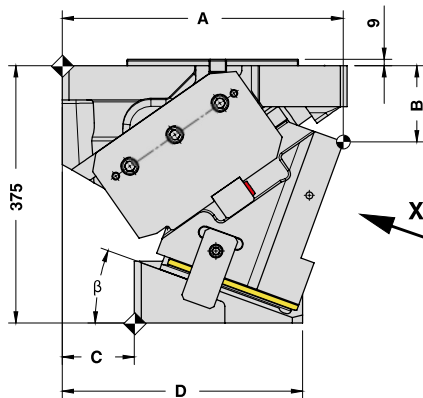
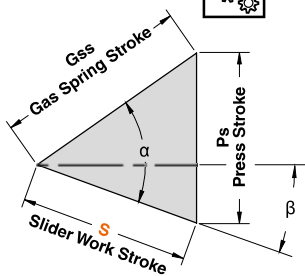


AERIAL CAM UNIT - OBEN HÄNGENDER SCHIEBER - UNITÀ A CAMME SOSPESA

X VIEW

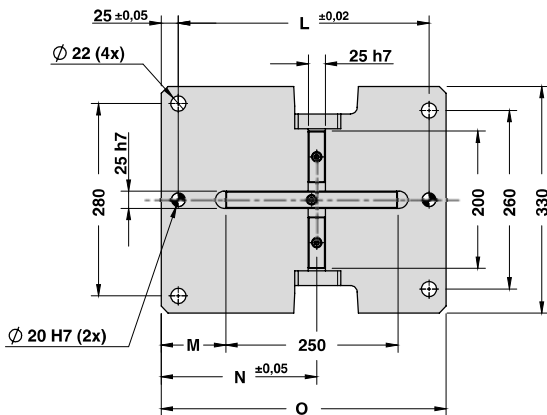


CAM DIAGRAM



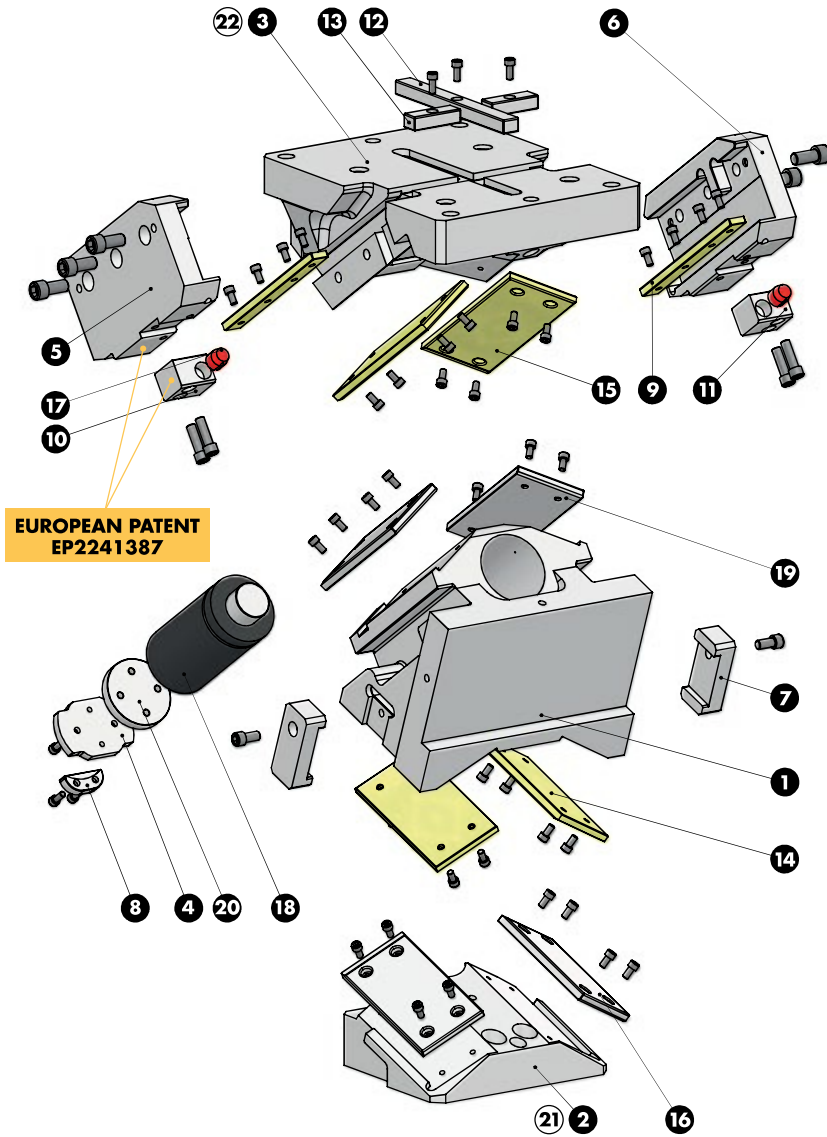
Cam Units CHV

Work Angle	Inner Angle	Slider Work Stroke (mm)	Press Stroke (mm)	Gas Spring Stroke (mm)
β	α	S	Ps	Gss
0°	50°	37,28	44,43	58
5°	50°	41,17	44,60	58
10°	55°	41,64	48,24	58
15°	55°	46,00	49,19	58
20°	55°	50,56	50,56	58
25°	60°	52,42	55,42	58
30°	60°	58,00	58,00	58
35°	65°	61,32	64,17	58
40°	65°	68,62	68,62	58
45°	70°	74,34	77,08	58
50°	70°	84,79	84,79	58
55°	75°	95,02	97,67	58
60°	75°	112,05	112,05	58
65°	80°	102,85	104,86	45
70°	85°	127,09	131,07	45
75°	85°	114,15	115,47	30





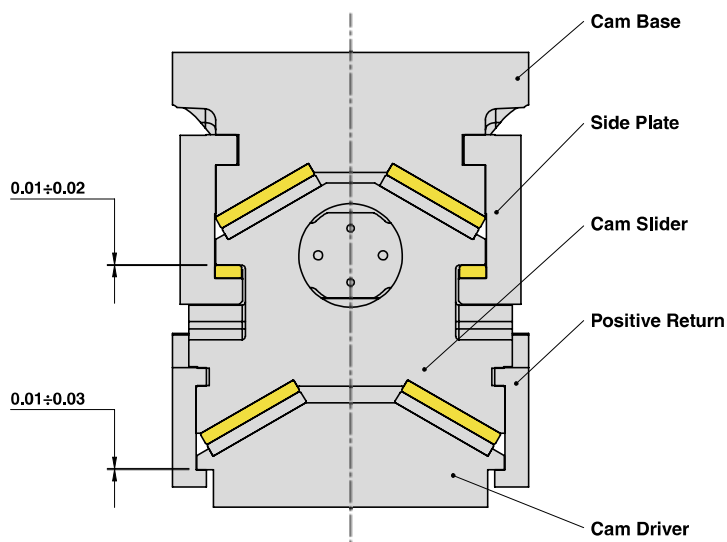
AERIAL CAM UNIT - OBEN HÄNGENDER SCHIEBER - UNITÀ A CAMME SOSPESA





AERIAL CAM UNIT - OBEN HÄNGENDER SCHIEBER - UNITÀ A CAMME SOSPESA

SLIDER STRUCTURE, POSITIVE RETURN STRUCTURE AND CLEARANCES



PART LIST

Particular number	Description	Material	Quantity
1	Cam Slider	GGG-60	1
2	Cam Driver	GGG-60	1
3	Cam Base	GGG-60	1
4	Lock Plate	42CrMo4	1
5	Side Plate L	42CrMo4	1
6	Side Plate R	42CrMo4	1
7	Positive Return	42CrMo4 Nitrided	2
8	Safety Plate	CK45	1
9	Wear Plate	CuZn25Al5 + Graphite - HB > 190	2
10	Slide Reaction L	CK45	1
11	Slide Reaction R	CK45	1
12	Key	CK45	1
13	Key	CK45	2
14	Wear Plate VDI 3357	CuZn25Al5 + Graphite - HB > 190	2
15	Wear Plate VDI 3357	CuZn25Al5 + Graphite - HB > 190	2
16	Wear Plate VDI 3357	16MnCr5 - HRC 58-60	2
17	Elastomer Cap	Elastomer 92SH	2
18	Gas Spring	-	1
19	Wear Plate VDI 3357	16MnCr5 - HRC 58-60	2
20	Spring Spacer	CK45	1
21	Cam Driver Fixing Screws M20x70 DIN 912	-	4
22	Cam Base Fixing Screws M20x70 DIN 912	-	4
-	Lockout System	(more info on OMCR website)	1

Cam Units CHV

