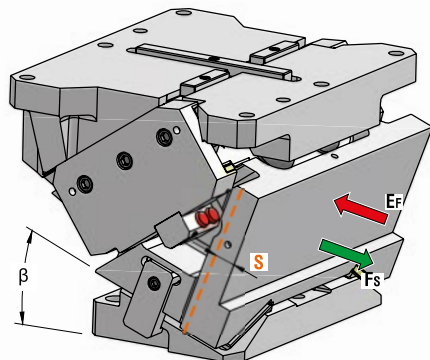




AERIAL CAM UNIT - OBEN HÄNGENDER SCHIEBER - UNITÀ A CAMME SOSPESA



P.605

OMCR CODE	Work Angle	Stroke (mm)	Max Work Force with shoulder (kN)	Extraction Force (kN)
	$\beta$	S	Fs	Ef Gas Spring
CHV500.00	0°	37,28	1155	87,0
CHV500.05	5°	41,17	1155	87,0
CHV500.10	10°	41,64	1155	85,7
CHV500.15	15°	46,00	1155	85,7
CHV500.20	20°	50,56	1155	85,7
CHV500.25	25°	52,42	1155	83,8
CHV500.30	30°	58,00	1155	83,8
CHV500.35	35°	61,32	1155	81,2
CHV500.40	40°	68,62	1155	81,2
CHV500.45	45°	74,34	1155	78,0
CHV500.50	50°	84,79	1155	78,0
CHV500.55	55°	95,02	1155	74,1
CHV500.60	60°	112,05	1155	74,1
CHV500.65	65°	102,85	1155	69,3
CHV500.70	70°	127,09	1155	64,5
CHV500.75	75°	114,15	1155	66,8



Art.	Work Angle = 5°
CHV500	05

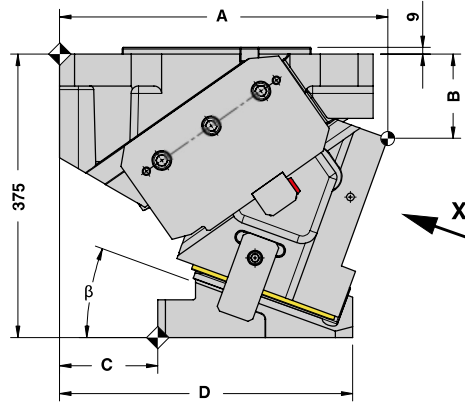
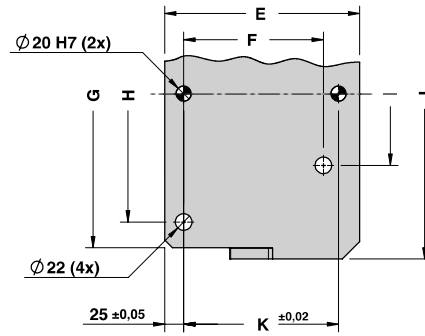
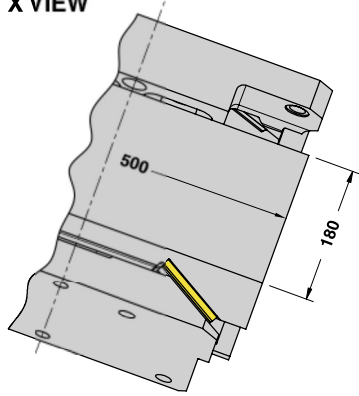
OMCR CODE	Work Angle	Overall Dimensions (mm)															
		$\beta$	A	B	C	D	E	F	G	H	I	J	K	L	M	N	O
CHV500.00	0°	403,00	75,00	130	396	266	185	408	340	190	438	205	365	83	209,5	415	110
CHV500.05	5°	410,89	94,30	130	398	268	185	408	340	190	438	205	365	83	220	415	110
CHV500.10	10°	418,81	99,28	130	384	254	185	408	340	190	438	205	365	83	230,5	415	110
CHV500.15	15°	426,70	104,96	130	385	255	185	408	340	190	438	205	365	83	241	415	110
CHV500.20	20°	434,51	111,32	130	376	246	185	408	340	190	438	205	365	83	251,5	415	110
CHV500.25	25°	417,16	118,36	80	339	259	145	408	340	190	438	175	365	83	237	415	110
CHV500.30	30°	424,61	131,06	80	330	250	145	408	340	180	438	175	365	83	247,5	415	170
CHV500.35	35°	427,78	150,13	80	317	237	145	408	340	190	438	175	365	83	256,5	415	110
CHV500.40	40°	438,66	158,34	80	312	232	145	408	340	190	438	175	365	83	265,5	415	110
CHV500.45	45°	395,15	172,88	30	255	225	145	408	340	190	438	175	401	103	224,5	455	110
CHV500.50	50°	412,72	188,31	30	245	215	145	408	340	190	438	175	401	100,5	233,5	450	110
CHV500.55	55°	423,22	212,08	30	256	226	145	408	340	190	438	175	401	100,5	241	450	110
CHV500.60	60°	433,59	232,11	30	258	228	145	408	340	190	438	175	401	100,5	248,5	450	110
CHV500.65	65°	434,62	242,64	0	245	245	140	500	463	463	500	175	401	100,5	248,5	450	110
CHV500.70	70°	429,87	254,52	0	219	219	125	500	463	463	500	175	401	100,5	248,5	450	110
CHV500.75	75°	418,49	262,53	0	208	208	105	500	463	463	500	160	401	100,5	233,5	450	110



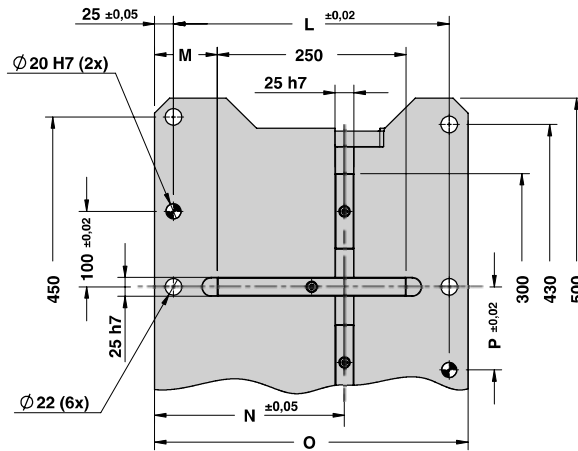


AERIAL CAM UNIT - OBEN HÄNGENDER SCHIEBER - UNITÀ A CAMME SOSPESA

X VIEW



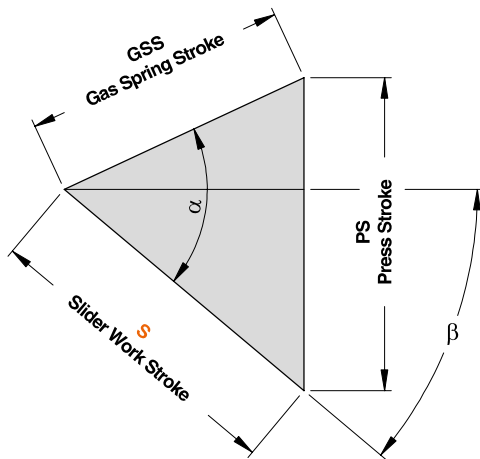
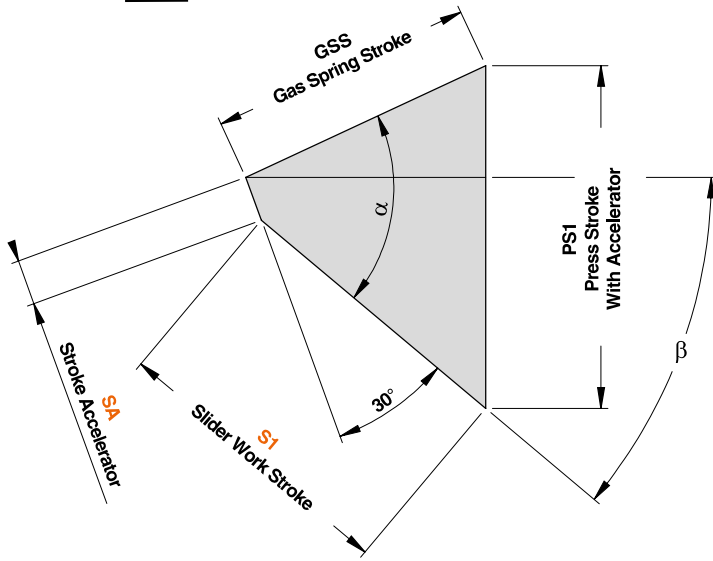
Cam Units CHV





AERIAL CAM UNIT - OBEN HÄNGENDER SCHIEBER - UNITÀ A CAMME SOSPESA

CAM DIAGRAM



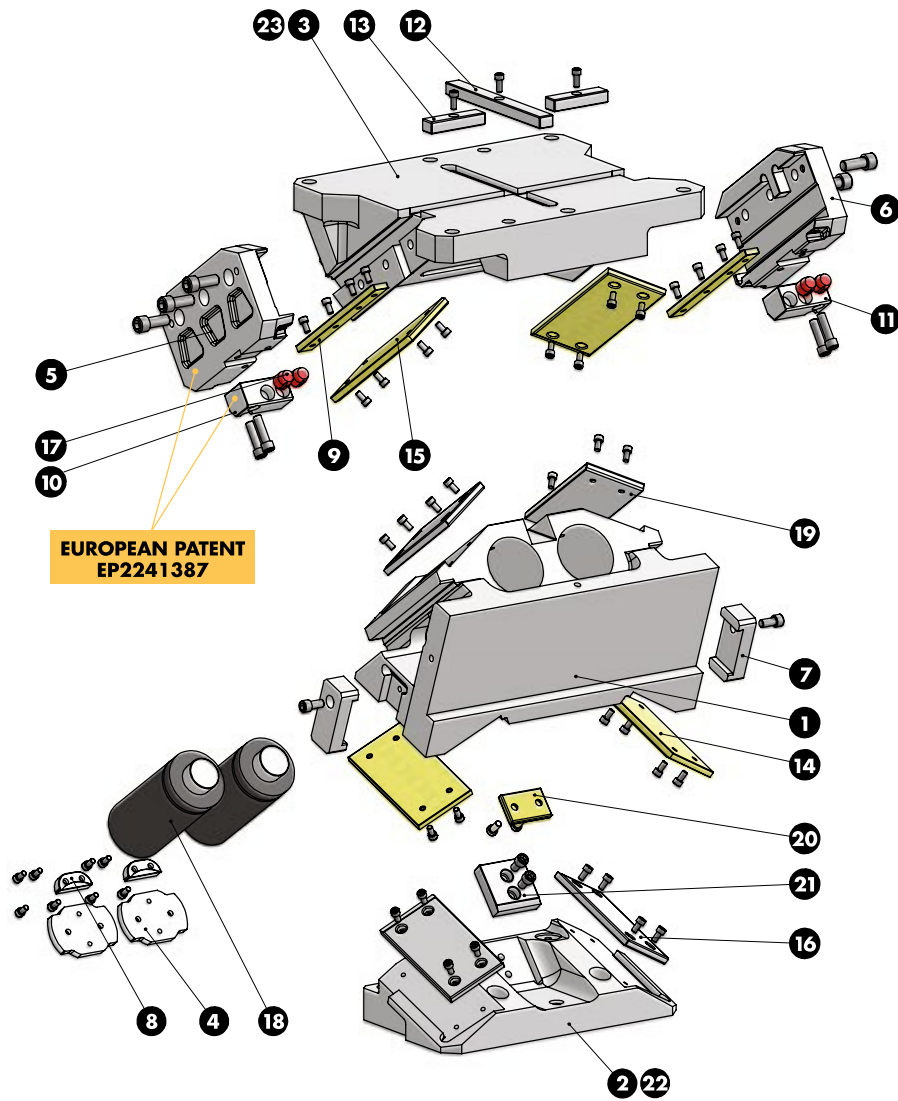

**AERIAL CAM UNIT - OBEN HÄNGENDER SCHIEBER - UNITÀ A CAMME SOSPESA**

OMCR CODE	Work Angle	Inner Angle	Slider Work Stroke (mm)		Press Stroke (mm)		Stroke Accelerator	Gas Spring Stroke (mm)
	$\beta$	$\alpha$	S	S1	Ps	Ps1	SA	Gss
CHV500.00	0°	50°	37,28	28,62	44,43	49,43	10	58
CHV500.05	5°	50°	41,17	32,94	44,60	49,62	10	58
CHV500.10	10°	55°	41,64	33,87	48,24	53,32	10	58
CHV500.15	15°	55°	46,00	38,68	49,19	54,36	10	58
CHV500.20	20°	55°	50,56	43,71	50,56	55,89	10	58
CHV500.25	25°	60°	52,42	46,09	55,42	60,94	10	58
CHV500.30	30°	60°	58,00	52,22	58,00	63,78	10	58
CHV500.35	35°	65°	61,32	56,16	64,17	70,27	10	58
CHV500.40	40°	65°	68,62	64,15	68,62	75,15	10	58
CHV500.45	45°	70°	74,34	70,68	77,08	84,15	10	58
CHV500.50	50°	70°	84,79	82,09	84,79	92,57	10	58
CHV500.55	55°	75°	95,02	-	97,67	-	-	58
CHV500.60	60°	75°	112,05	-	112,05	-	-	58
CHV500.65	65°	80°	102,85	-	104,86	-	-	45
CHV500.70	70°	85°	127,09	-	131,07	-	-	45
CHV500.75	75°	85°	114,15	-	115,47	-	-	30

Cam Units CHV



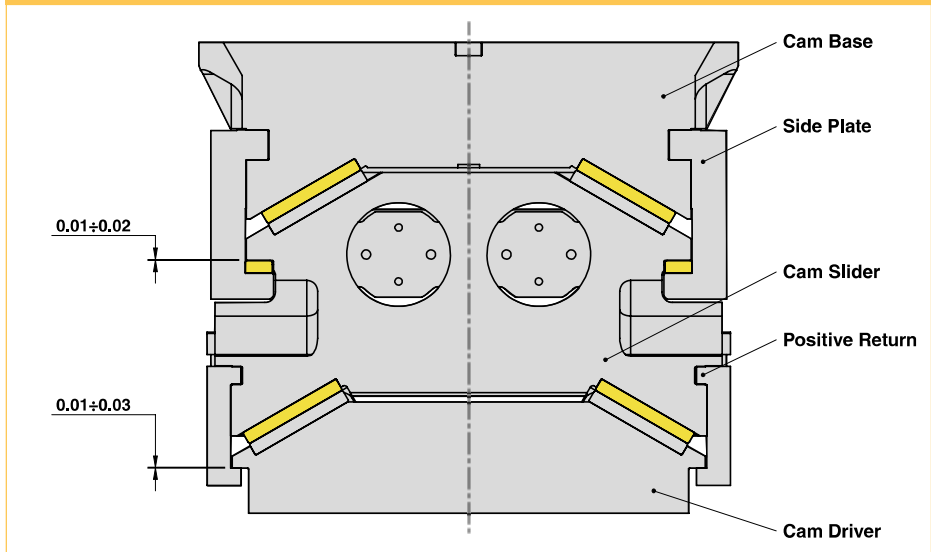
AERIAL CAM UNIT - OBEN HÄNGENDER SCHIEBER - UNITÀ A CAMME SOSPESA





**AERIAL CAM UNIT - OBEN HÄNGENDER SCHIEBER - UNITÀ A CAMME SOSPESA**

**SLIDER STRUCTURE, POSITIVE RETURN STRUCTURE AND CLEARANCES**



**PART LIST**

Particular number	Description	Material	Quantity
1	Cam Slider	GGG-60	1
2	Cam Driver	GGG-60	1
3	Cam Base	GGG-60	1
4	Lock Plate	42CrMo4	2
5	Side Plate L	42CrMo4	1
6	Side Plate R	42CrMo4	1
7	Positive Return	42CrMo4 Nitrided	2
8	Safety Plate	CK45	2
9	Wear Plate	CuZn25Al5 + Graphite - HB > 190	2
10	Slide Reaction L	CK45	1
11	Slide Reaction R	CK45	1
12	Key	CK45	1
13	Key	CK45	2
14	Wear Plate VDI 3357	CuZn25Al5 + Graphite - HB > 190	2
15	Wear Plate VDI 3357	CuZn25Al5 + Graphite - HB > 190	2
16	Wear Plate VDI 3357	16MnCr5 - HRC 58-60	2
17	Elastomer Cap	Elastomer 92SH	4
18	Gas Spring	-	2
19	Wear Plate VDI 3357	16MnCr5 - HRC 58-60	2
20	Wear Plate	CuZn25Al5 + Graphite - HB > 190	1
21	Wear Plate VDI 3357	16MnCr5 - HRC 58-60	1
22	Cam Driver Fixing Screws M20x70 DIN 912	-	4
23	Cam Base Fixing Screws M20x70 DIN 912	-	6
-	Lockout System	(more info on OMCR website)	1

Cam Units CHV

