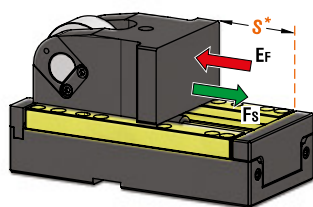
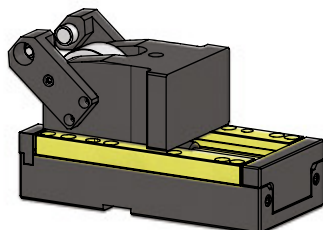




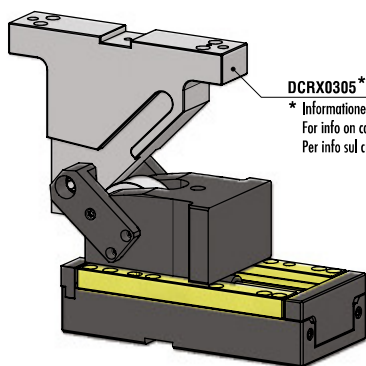
ROLLER CAM UNIT - ROLLENSCHIEBER - CAMMA A RULLO



Without Positive Return - **OPTION K**



With Positive Return - **OPTION P**



With Driver - **OPTION DRIVER**

DCRX0305*
 * Informationen zum Treiber siehe Seite 882
 For info on cam driver see page 882
 Per info sul cuneo vedi pagina 882

OMCR CODE	Stroke (mm)	Max Work Force (kN)	Extraction Force (kN)
	S*	F _s	E _f Gas Spring
CRX05.050	50	142	6,36
CRX05.080	80	142	6,43
CRX05.100	100	142	6,46

* Do not exceed the maximum stroke
 Den maximalen Hub nicht überschreiten
 Non superare la corsa massima



P.605

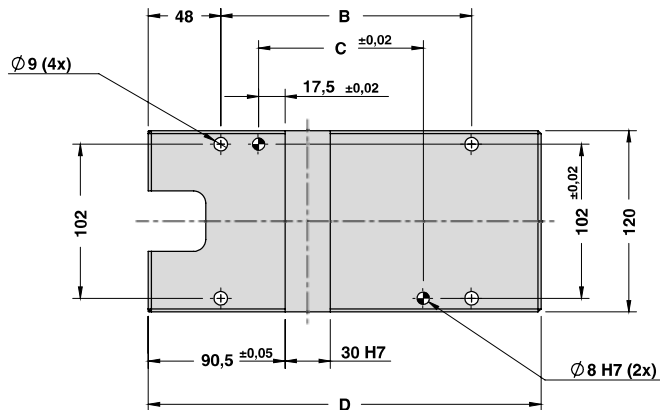
OPTION DRIVER	Work angle (β)
H15	-15°
H10	-10°
H05	-5°
000	0
L05	5°
L10	10°
L15	15°
L20	20°
L25	25°
L30	30°
L35	35°
L40	40°
L45	45°
L50	50°

STOCK	ORDER EXAMPLE	Art.	Stroke = 80	OPTION K-P	OPTION DRIVER
		CRX05	080	K	H05

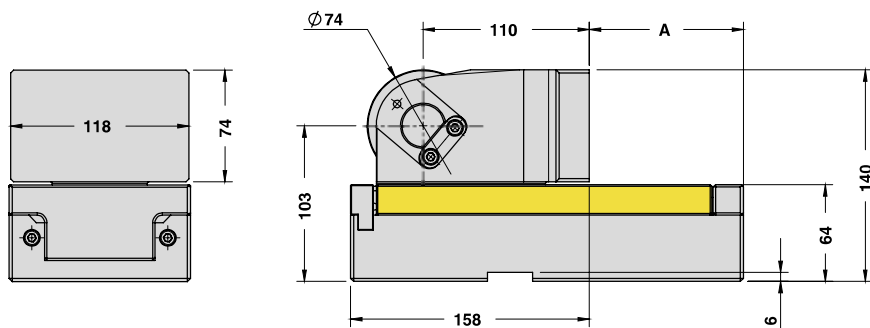
OMCR CODE	Stroke (mm)	Overall Dimensions (mm)				
	S*	A	B	C	D	E
CRX05.050	50	42	116	59	200	213
CRX05.080	80	72	146	89	230	243
CRX05.100	100	102	166	109	260	273



ROLLER CAM UNIT - ROLLENSCHIEBER - CAMMA A RULLO

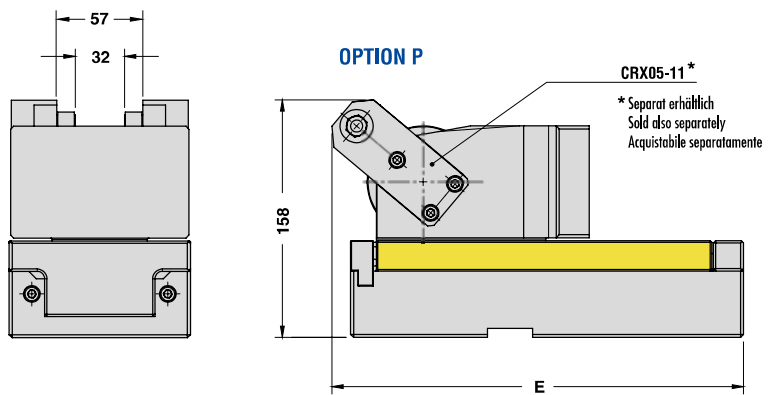


OPTION K



Cam Units CRX

OPTION P

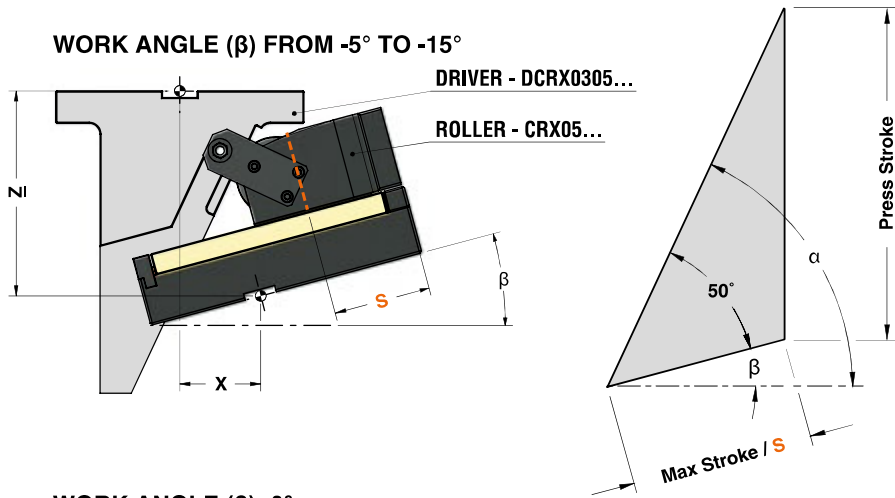


CRX05-11*
 *Separat erhältlich
 Sold also separately
 Acquistabile separatamente

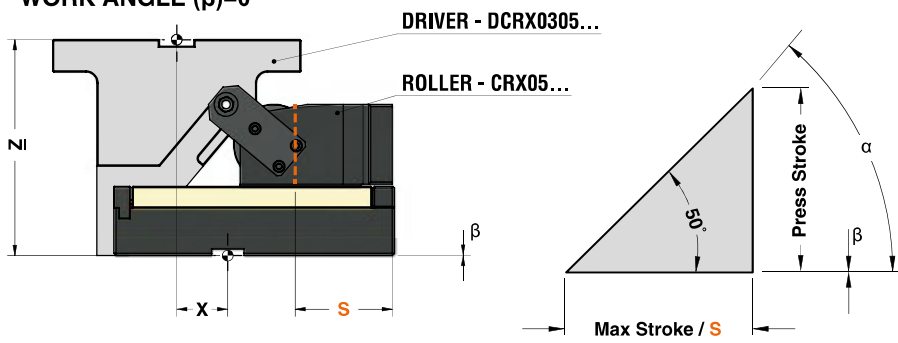


ROLLER CAM UNIT - ROLLENSCHIEBER - CAMMA A RULLO

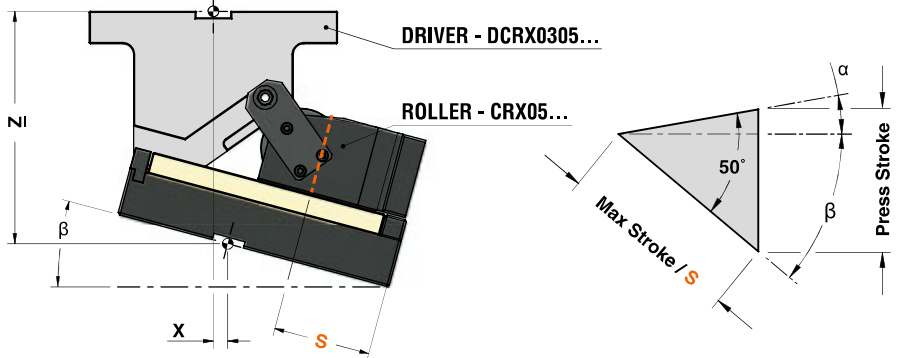
WORK ANGLE (β) FROM -5° TO -15°



WORK ANGLE (β)= 0°



WORK ANGLE (β) FROM 5° TO 50°




ROLLER CAM UNIT - ROLLENSCHIEBER - CAMMA A RULLO

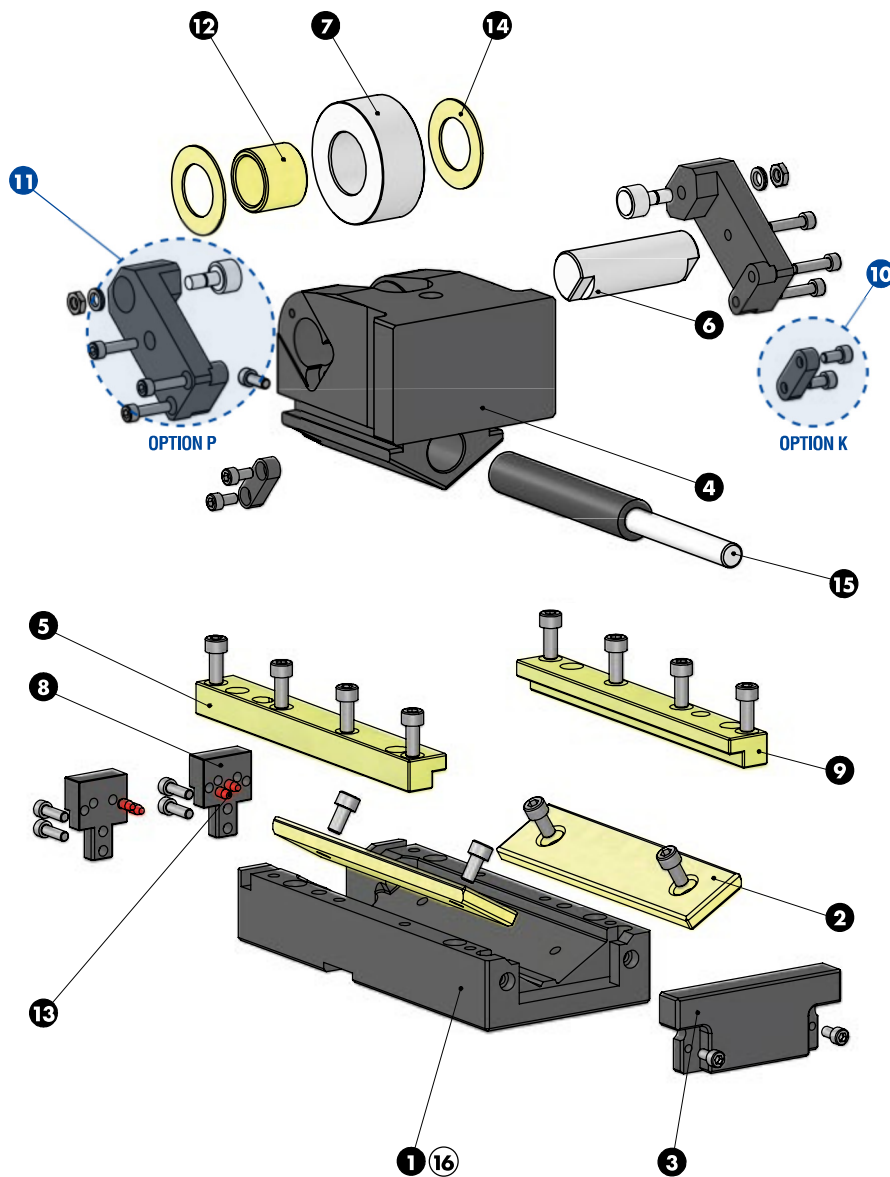
*For more info see page 862 / Weitere Informationen finden Sie auf der Seite 862 / Per maggiori informazioni consultare la pagina 862

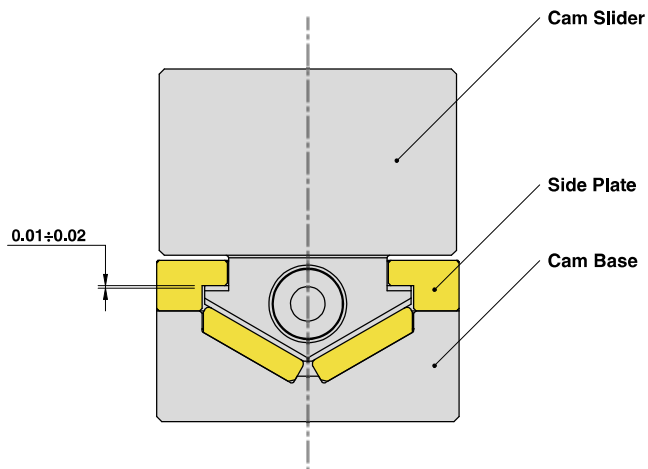
ROLLER CAM CODE	Work Angle β	α	Max Stroke S (mm)	Press Stroke (mm)	*CAM DRIVER CODE	X (mm)	Z (mm)
CRX05.050	-15°	65°	50	90,63	DCRX0305.50.H15	99,96	185,55
	-10°	60°	50	76,60	DCRX0305.50.H10	91,56	189,69
	-5°	55°	50	66,78	DCRX0305.50.H05	82,30	198,85
	0°	50°	50	59,59	DCRX0305.50.000	72,27	204,54
	5°	45°	50	54,17	DCRX0305.50.L05	61,54	207,54
	10°	40°	50	50,00	DCRX0305.50.L10	50,18	213,34
	15°	35°	50	46,76	DCRX0305.50.L15	38,30	217,19
	20°	30°	50	44,23	DCRX0305.50.L20	25,96	219,27
	25°	25°	50	42,26	DCRX0305.50.L25	13,28	214,70
	30°	20°	50	40,76	DCRX0305.50.L30	0,35	208,54
	35°	15°	50	39,65	DCRX0305.50.L35	-12,74	205,85
	40°	10°	50	38,89	DCRX0305.50.L40	-25,89	201,67
	45°	5°	50	38,45	DCRX0305.50.L45	-38,99	196,03
50°	0°	50	38,30	DCRX0305.50.L50	-51,94	188,95	
CRX05.080	-15°	65°	80	145,01	DCRX0305.80.H15	74,96	226,17
	-10°	60°	80	122,57	DCRX0305.80.H10	66,56	228,72
	-5°	55°	80	106,84	DCRX0305.80.H05	57,30	223,78
	0°	50°	80	95,34	DCRX0305.80.000	47,27	223,78
	5°	45°	80	86,67	DCRX0305.80.L05	36,54	220,04
	10°	40°	80	80,00	DCRX0305.80.L10	25,18	228,34
	15°	35°	80	74,81	DCRX0305.80.L15	13,30	234,13
	20°	30°	80	70,76	DCRX0305.80.L20	0,96	237,73
	25°	25°	80	67,62	DCRX0305.80.L25	-11,72	234,34
	30°	20°	80	65,22	DCRX0305.80.L30	-24,65	229,08
	35°	15°	80	63,45	DCRX0305.80.L35	-37,74	217,06
	40°	10°	80	62,23	DCRX0305.80.L40	-50,89	203,34
	45°	5°	80	61,52	DCRX0305.80.L45	-63,99	192,96
50°	0°	80	61,28	DCRX0305.80.L50	-76,94	180,97	
CRX05.100	-15°	65°	100	181,26	DCRX0305.80.H15	74,96	189,92
	-10°	60°	100	153,21	DCRX0305.80.H10	66,56	198,08
	-5°	55°	100	133,56	DCRX0305.80.H05	57,30	197,07
	0°	50°	100	119,18	DCRX0305.80.000	47,27	199,95
	5°	45°	100	108,34	DCRX0305.80.L05	36,54	199,09
	10°	40°	100	100,00	DCRX0305.80.L10	25,18	208,34
	15°	35°	100	93,52	DCRX0305.80.L15	13,30	215,43
	20°	30°	100	88,46	DCRX0305.80.L20	0,96	220,04
	25°	25°	100	84,52	DCRX0305.80.L25	-11,72	217,43
	30°	20°	100	81,52	DCRX0305.80.L30	-24,65	212,78
	35°	15°	100	79,31	DCRX0305.80.L35	-37,74	201,20
	40°	10°	100	77,79	DCRX0305.80.L40	-50,89	187,78
	45°	5°	100	76,90	DCRX0305.80.L45	-63,99	177,58
50°	0°	100	76,60	DCRX0305.80.L50	-76,94	165,65	

Cam Units CRX



ROLLER CAM UNIT - ROLLENSCHIEBER - CAMMA A RULLO




ROLLER CAM UNIT - ROLLENSCHIEBER - CAMMA A RULLO
SLIDER STRUCTURE AND CLEARANCES


Cam Units CRX

PART LIST

Particular number	Description	Material	Quantity
1	Cam Base	CK45	1
2	Wear Plate	CuZn25Al5 + Graphite - HB > 190	2
3	Spring Stopper Plate	CK45	1
4	Cam Slider	CK45	1
5	Side Plate L	CuZn25Al5 + Graphite - HB > 190	1
6	Pin	16NiCrMo4	1
7	Roller	100Cr6	1
8	Stopper Plate	CK45	2
9	Side Plate R	CuZn25Al5 + Graphite - HB > 190	1
10	Key - OPTION K	CK45	2
11	Positive Return + Roller KRV19PPA - OPTION P	CK45	2
12	Self-Lubricating Bush	CuZn25Al5 + Graphite - HB > 190	1
13	Elastomer Cap	Elastomer 92SH	4
14	Washer PCMW 325401.5M	-	2
15	Gas Spring	-	1
16	Cam Base Fixing Screws M8x30 DIN 912	-	4