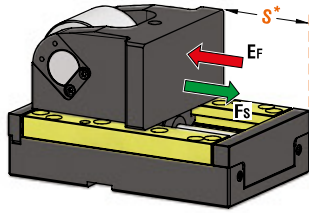




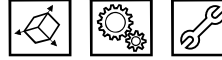
ROLLER CAM UNIT - ROLLENSCHIEBER - CAMMA A RULLO



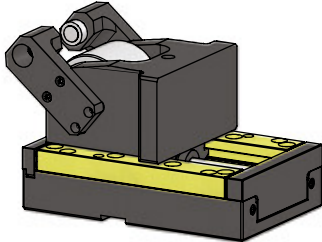
Without Positive Return - **OPTION K**

OMCR CODE	Stroke (mm)	Max Work Force (kN)	Extraction Force (kN)
	S*	F _s	E _f Gas Spring
CRX15.050	50	166	6,45
CRX15.080	80	166	6,57
CRX15.100	100	166	6,61

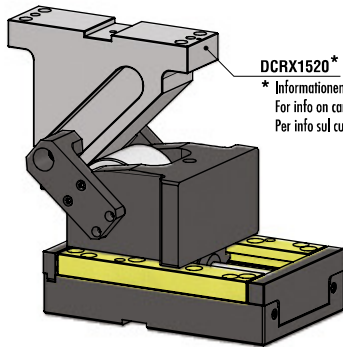
* Do not exceed the maximum stroke
Den maximalen Hub nicht überschreiten
Non superare la corsa massima



P.605



With Positive Return - **OPTION P**



DCRX1520*
* Informationen zum Treiber siehe Seite 884
For info on cam driver see page 884
Per info sul cuneo vedi pagina 884

OPTION DRIVER	Work angle (β)
H15	-15°
H10	-10°
H05	-5°
000	0
L05	5°
L10	10°
L15	15°
L20	20°
L25	25°
L30	30°
L35	35°
L40	40°
L45	45°
L50	50°

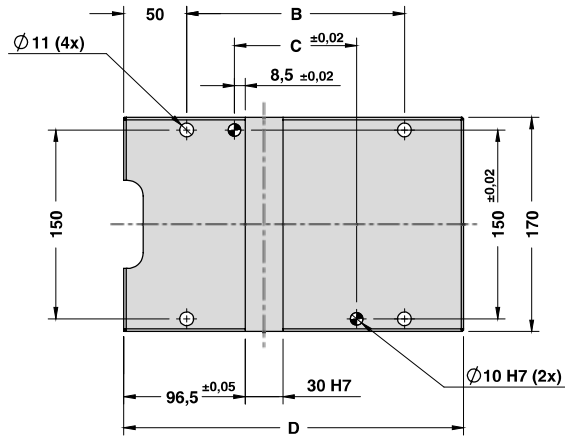
With Driver - **OPTION DRIVER**

STOCK	ORDER EXAMPLE	Art.	Stroke = 80	OPTION K-P	OPTION DRIVER
		CRX15	080	K	H05

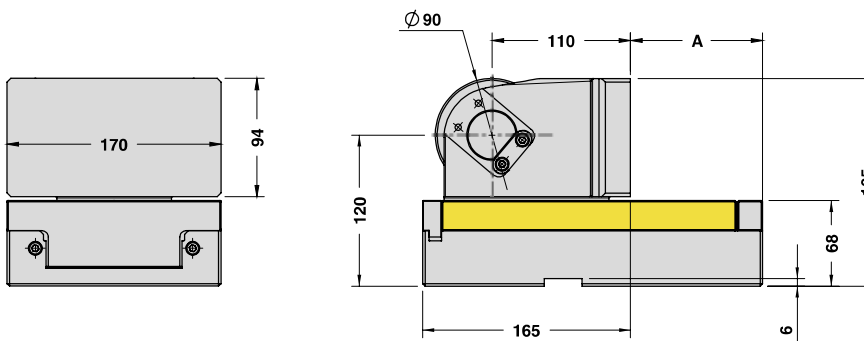
OMCR CODE	Stroke (mm)	Overall Dimensions (mm)				
	S*	A	B	C	D	E
CRX15.050	50	55	123	47	220	243
CRX15.080	80	85	153	77	250	273
CRX15.100	100	105	173	97	270	293



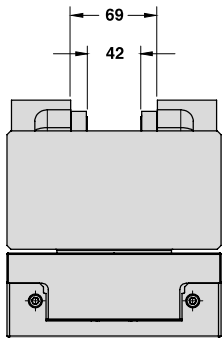
ROLLER CAM UNIT - ROLLENSCHIEBER - CAMMA A RULLO



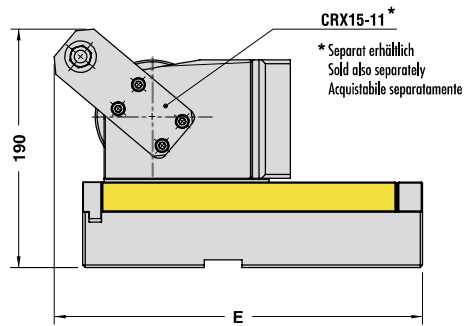
OPTION K



Cam Units CRX

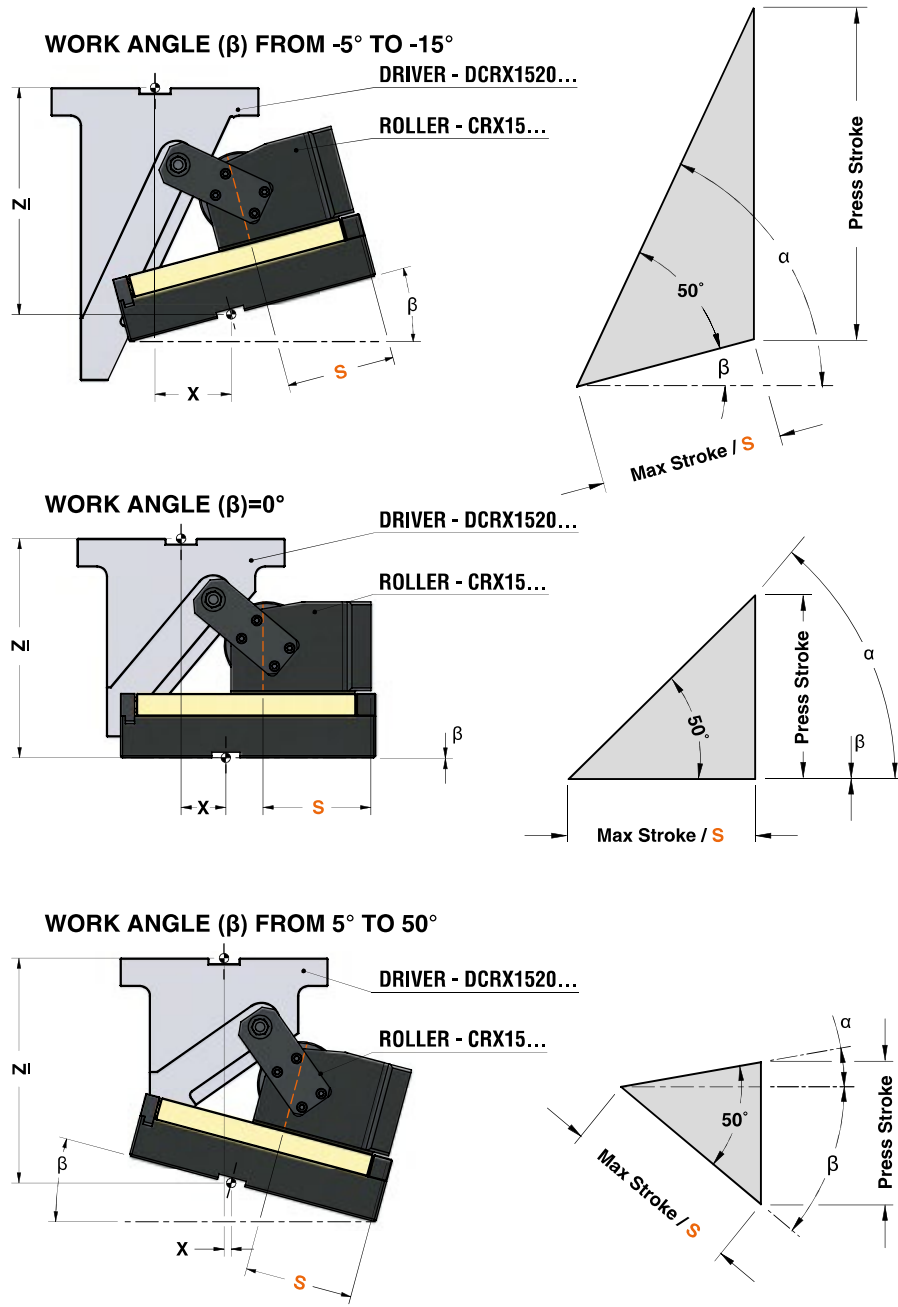


OPTION P





ROLLER CAM UNIT - ROLLENSCHIEBER - CAMMA A RULLO




ROLLER CAM UNIT - ROLLENSCHIEBER - CAMMA A RULLO

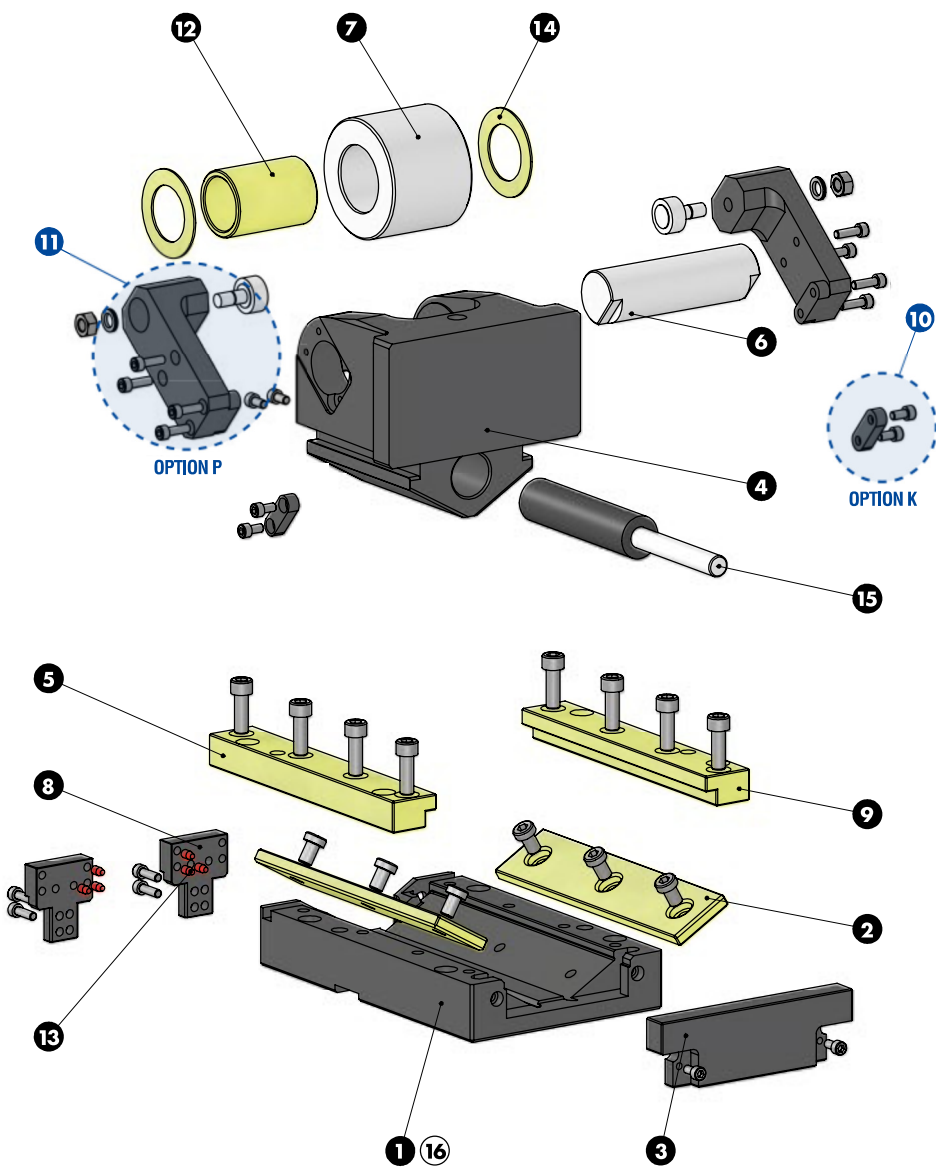
*For more info see page 868 / Weitere Informationen finden Sie auf der Seite 868 / Per maggiori informazioni consultare la pagina 868

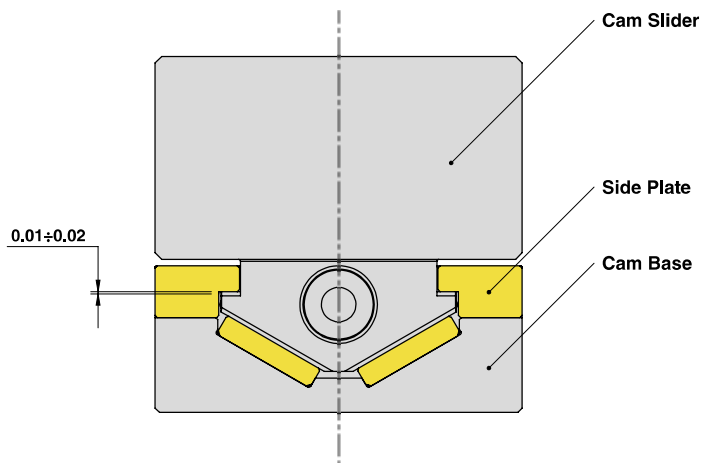
ROLLER CAM CODE	Work Angle β	α	Max Stroke S (mm)	Press Stroke (mm)	*CAM DRIVER CODE	X (mm)	Z (mm)
CRX15.050	-15°	65°	50	90,63	DCRX1520.50.H15	105,64	220,61
	-10°	60°	50	76,60	DCRX1520.50.H10	95,45	220,60
	-5°	55°	50	66,78	DCRX1520.50.H05	84,34	220,46
	0°	50°	50	59,59	DCRX1520.50.000	72,39	226,67
	5°	45°	50	54,17	DCRX1520.50.L05	59,71	230,04
	10°	40°	50	50,00	DCRX1520.50.L10	46,38	236,03
	15°	35°	50	46,76	DCRX1520.50.L15	32,51	239,90
	20°	30°	50	44,23	DCRX1520.50.L20	18,21	241,83
	25°	25°	50	42,26	DCRX1520.50.L25	3,57	236,93
	30°	20°	50	40,76	DCRX1520.50.L30	-11,28	230,27
	35°	15°	50	39,65	DCRX1520.50.L35	-26,24	226,93
	40°	10°	50	38,89	DCRX1520.50.L40	-41,19	221,92
45°	5°	50	38,45	DCRX1520.50.L45	-56,01	215,31	
50°	0°	50	38,30	DCRX1520.50.L50	-95,60	222,11	
CRX15.080	-15°	65°	80	145,01	DCRX1520.80.H15	80,64	276,23
	-10°	60°	80	122,57	DCRX1520.80.H10	70,45	259,63
	-5°	55°	80	106,84	DCRX1520.80.H05	59,34	255,39
	0°	50°	80	95,34	DCRX1520.80.000	47,39	255,92
	5°	45°	80	86,67	DCRX1520.80.L05	34,71	247,54
	10°	40°	80	80,00	DCRX1520.80.L10	21,38	256,03
	15°	35°	80	74,81	DCRX1520.80.L15	7,51	256,84
	20°	30°	80	70,76	DCRX1520.80.L20	-6,78	260,29
	25°	25°	80	67,62	DCRX1520.80.L25	-21,42	251,57
	30°	20°	80	65,22	DCRX1520.80.L30	-36,28	250,82
	35°	15°	80	63,45	DCRX1520.80.L35	-51,24	233,13
	40°	10°	80	62,23	DCRX1520.80.L40	-66,19	223,59
45°	5°	80	61,52	DCRX1520.80.L45	-81,01	212,24	
50°	0°	80	61,28	DCRX1520.80.L50	-95,60	199,13	
CRX15.100	-15°	65°	100	181,26	DCRX1520.80.H15	80,64	239,98
	-10°	60°	100	153,21	DCRX1520.80.H10	70,45	228,99
	-5°	55°	100	133,56	DCRX1520.80.H05	59,34	228,68
	0°	50°	100	119,18	DCRX1520.80.000	47,39	232,08
	5°	45°	100	108,34	DCRX1520.80.L05	34,71	225,88
	10°	40°	100	100,00	DCRX1520.80.L10	21,38	236,03
	15°	35°	100	93,52	DCRX1520.80.L15	7,51	238,14
	20°	30°	100	88,46	DCRX1520.80.L20	-6,78	242,60
	25°	25°	100	84,52	DCRX1520.80.L25	-21,42	234,66
	30°	20°	100	81,52	DCRX1520.80.L30	-36,28	234,51
	35°	15°	100	79,31	DCRX1520.50.L35	-51,24	217,27
	40°	10°	100	77,79	DCRX1520.80.L40	-66,19	208,03
45°	5°	100	76,90	DCRX1520.80.L45	-81,01	196,86	
50°	0°	100	76,60	DCRX1520.80.L50	-95,60	183,81	

Cam Units CRX



ROLLER CAM UNIT - ROLLENSCHIEBER - CAMMA A RULLO




ROLLER CAM UNIT - ROLLENSCHIEBER - CAMMA A RULLO
SLIDER STRUCTURE AND CLEARANCES


Cam Units CRX

PART LIST

Particular number	Description	Material	Quantity
1	Cam Base	CK45	1
2	Wear Plate	CuZn25Al5 + Graphite - HB > 190	2
3	Gas Spring Stopper Plate	CK45	1
4	Cam Slider	CK45	1
5	Side Plate L	CuZn25Al5 + Graphite - HB > 190	1
6	Pin	16NiCrMo4	1
7	Roller	100Cr6	1
8	Stopper Plate	CK45	2
9	Side Plate R	CuZn25Al5 + Graphite - HB > 190	1
10	Key - OPTION K	CK45	2
11	Positive Return + Roller KRV26PPA - OPTION P	CK45	2
12	Self-Lubricating Bush	CuZn25Al5 + Graphite - HB > 190	1
13	Elastomer Cap	Elastomer 92SH	6
14	Washer PCMW 426601.5M	-	2
15	Gas Spring	-	1
16	Cam Base Fixing Screws M10x35 DIN 912	-	4